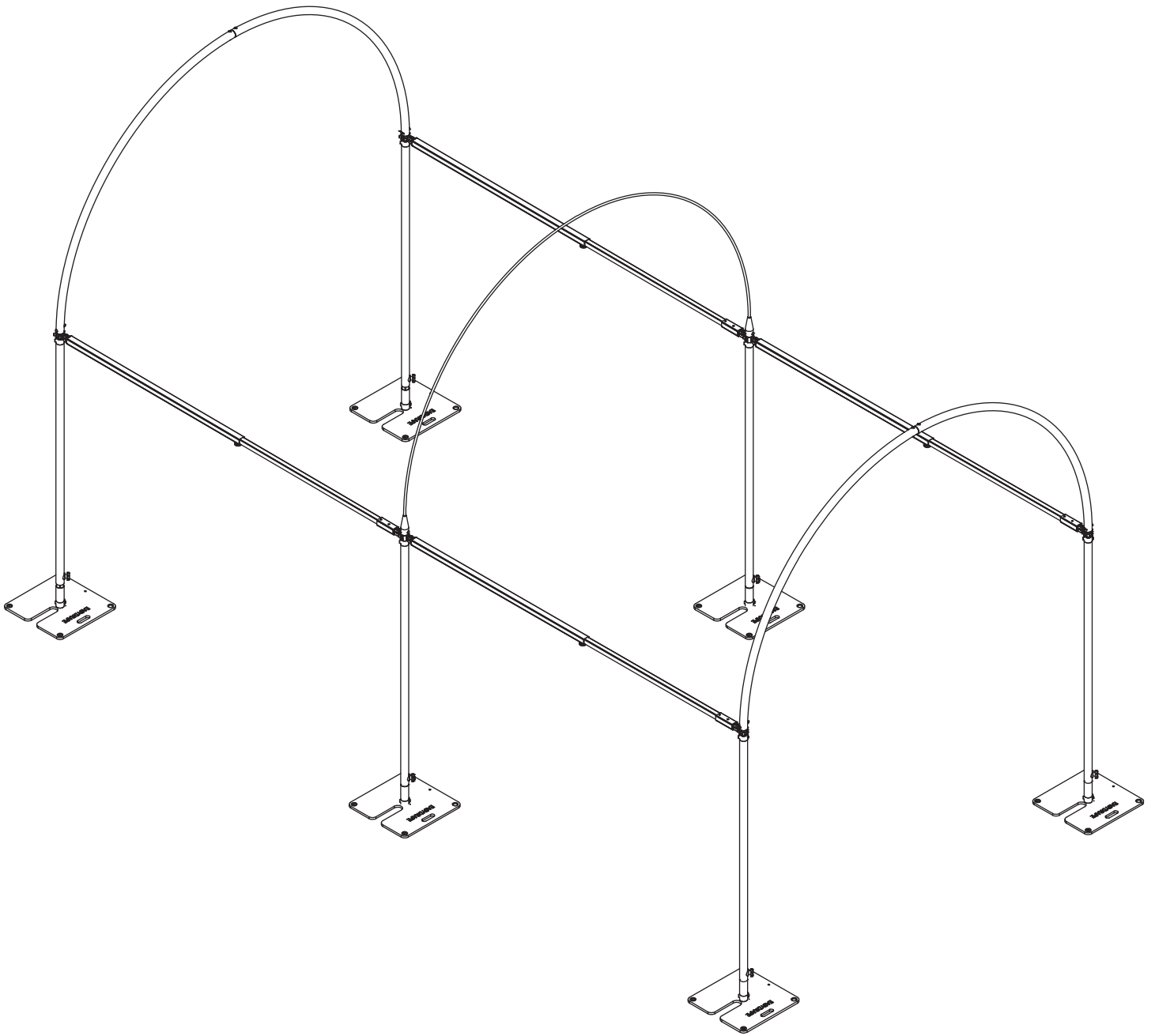


# EASYDRAPE

## MAKING A TUNNEL























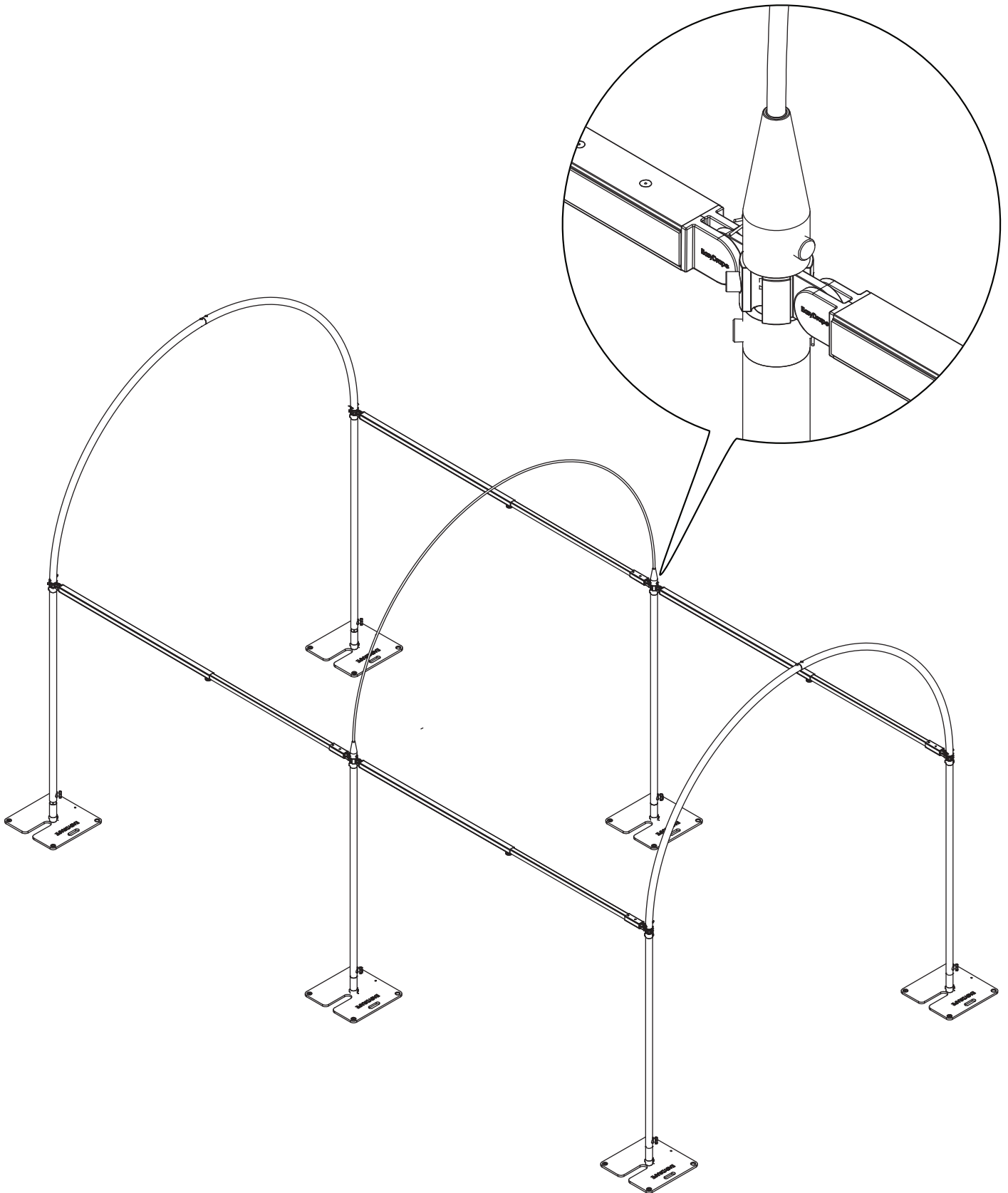




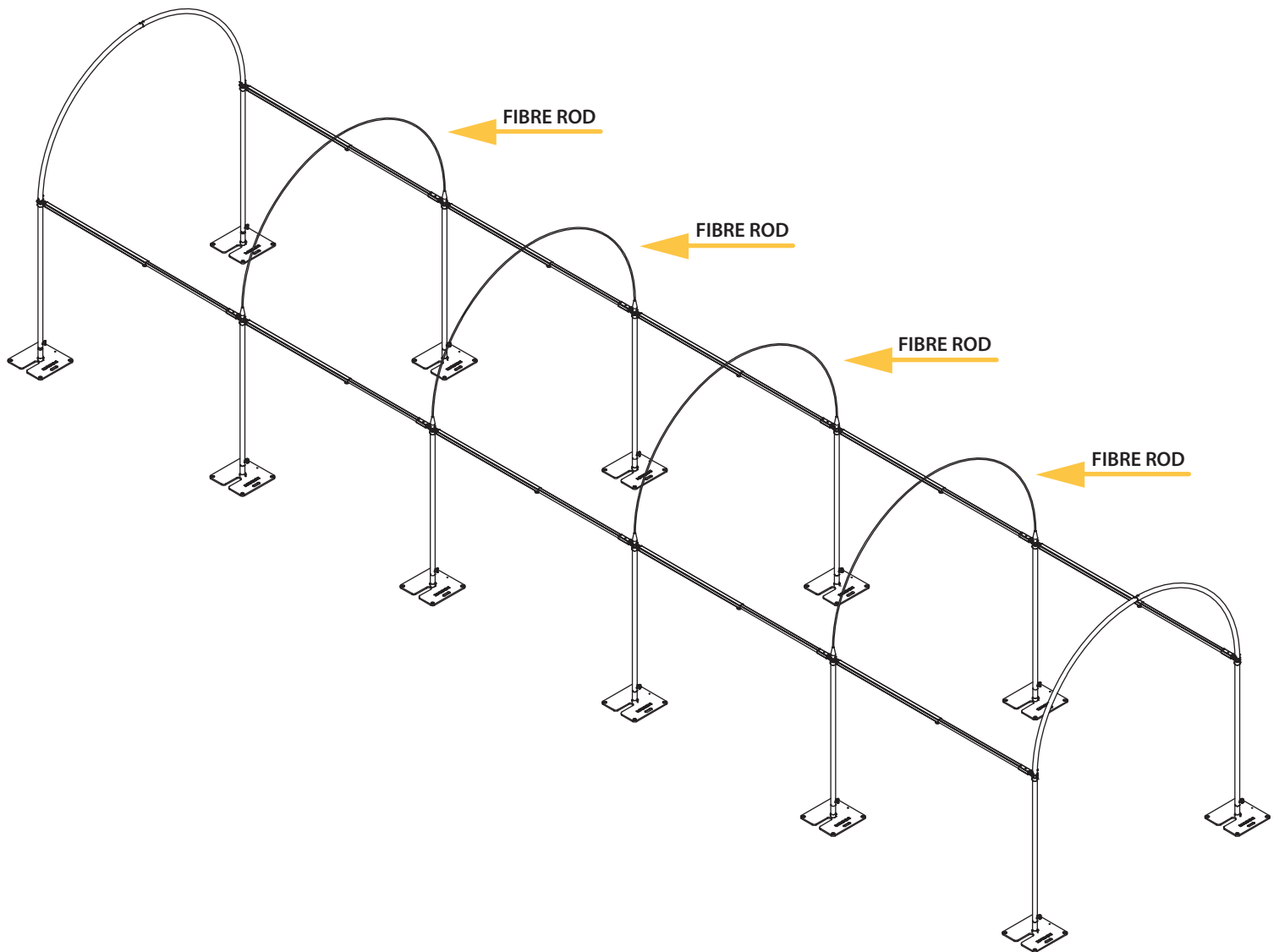




- (12)** Build the EasyDrape Arch in the middle by bending the Fibre Rod. Stick each side into a Fibre Rod Adaptor. Repeat this for as long as you want your tunnel to be.



- (13)** Add Fibre Rod Arches for as long as you want your tunnel to be.  
Make sure the first and last Arch are always made out of Aluminium Pipes.  
After attaching fabric, you're ready to roll!





# TROUBLE SHOOTING

---

- For more technical assistance please contact your local ShowTex office.

**HAVE A GREAT SHOW!**  
MORE INFO ON [WWW.SHOWTEX.COM](http://WWW.SHOWTEX.COM)