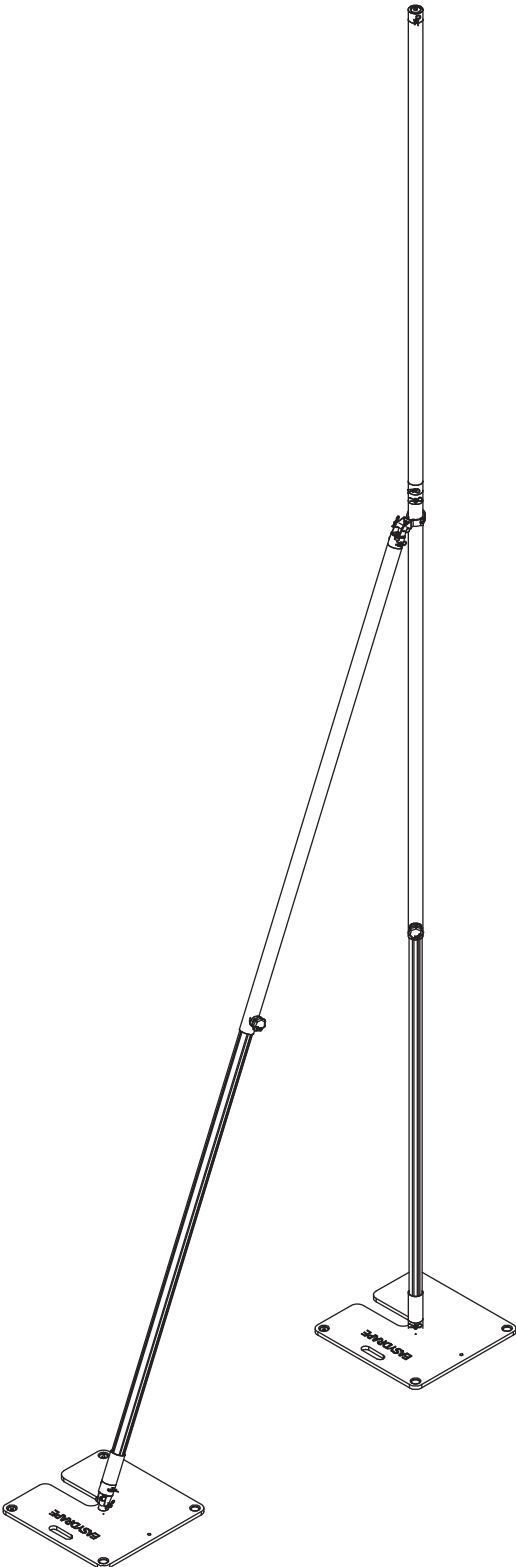


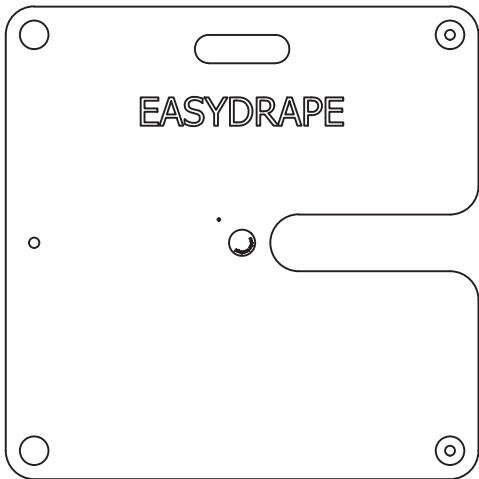
# EASYDRAPE

## SUPPORT BRACE



# COMPONENTS

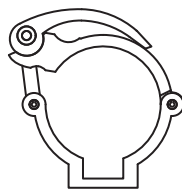
Create unlimited EasyDrape configurations using these different parts.



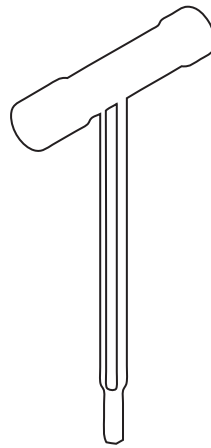
2X



4X

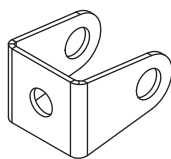


8X



1X

1X



3X



4X



4X



3X

# ASSEMBLY

---

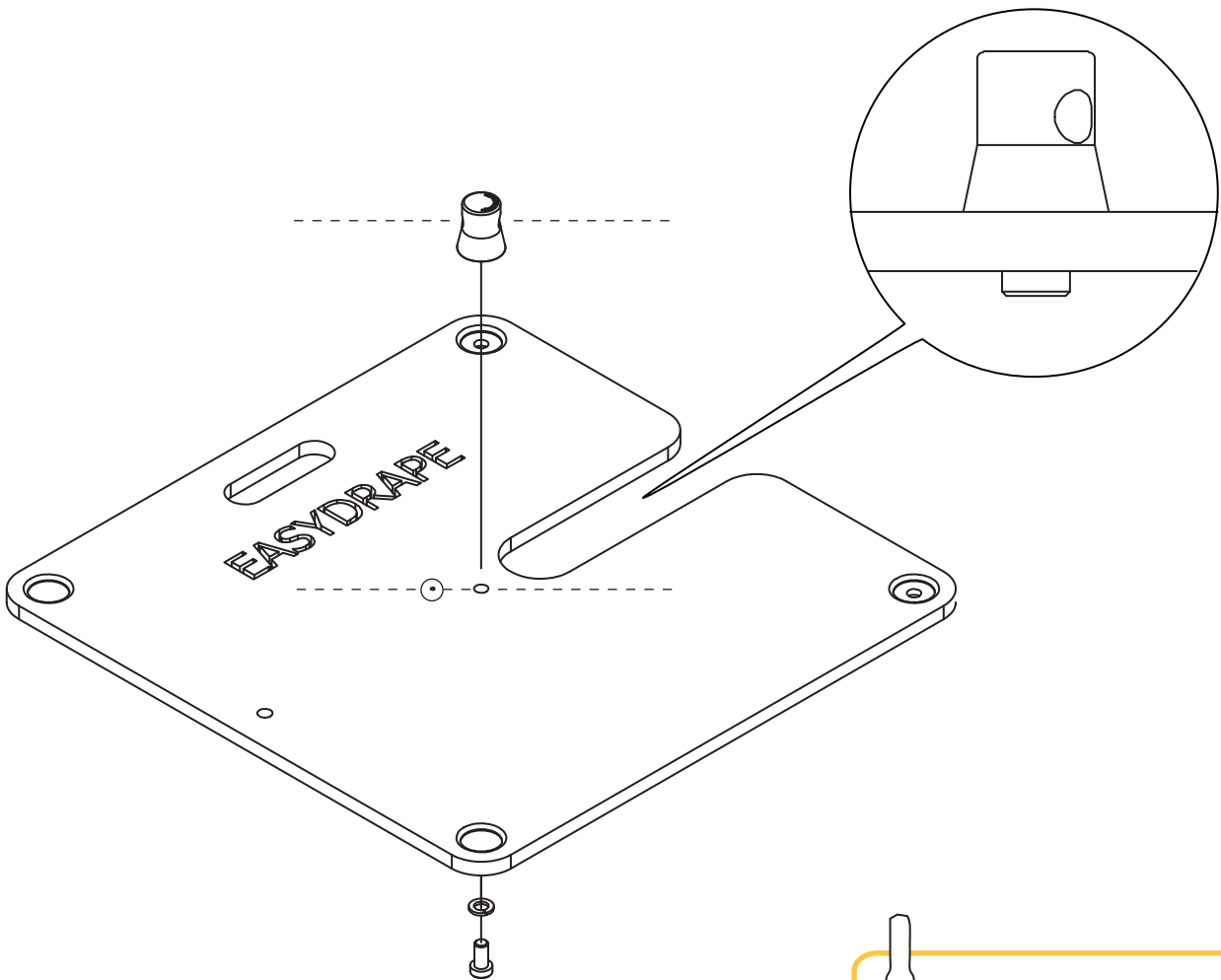
- (1) Place 2 base plates at the desired distance apart
- (2) Attach the base plate connectors to the base plates (page 7)
- (3) Attach an Upright to one of the plates (page 8)

# ASSEMBLY

(1)

**Attach the base plate connectors to the base plates** and position the EasyDrape base plates at the desired distance apart.

When positioning the base plate connectors in the base plates, make sure the two holes in the sides of the connector are lined up in the same direction as the small markings in the base plate.

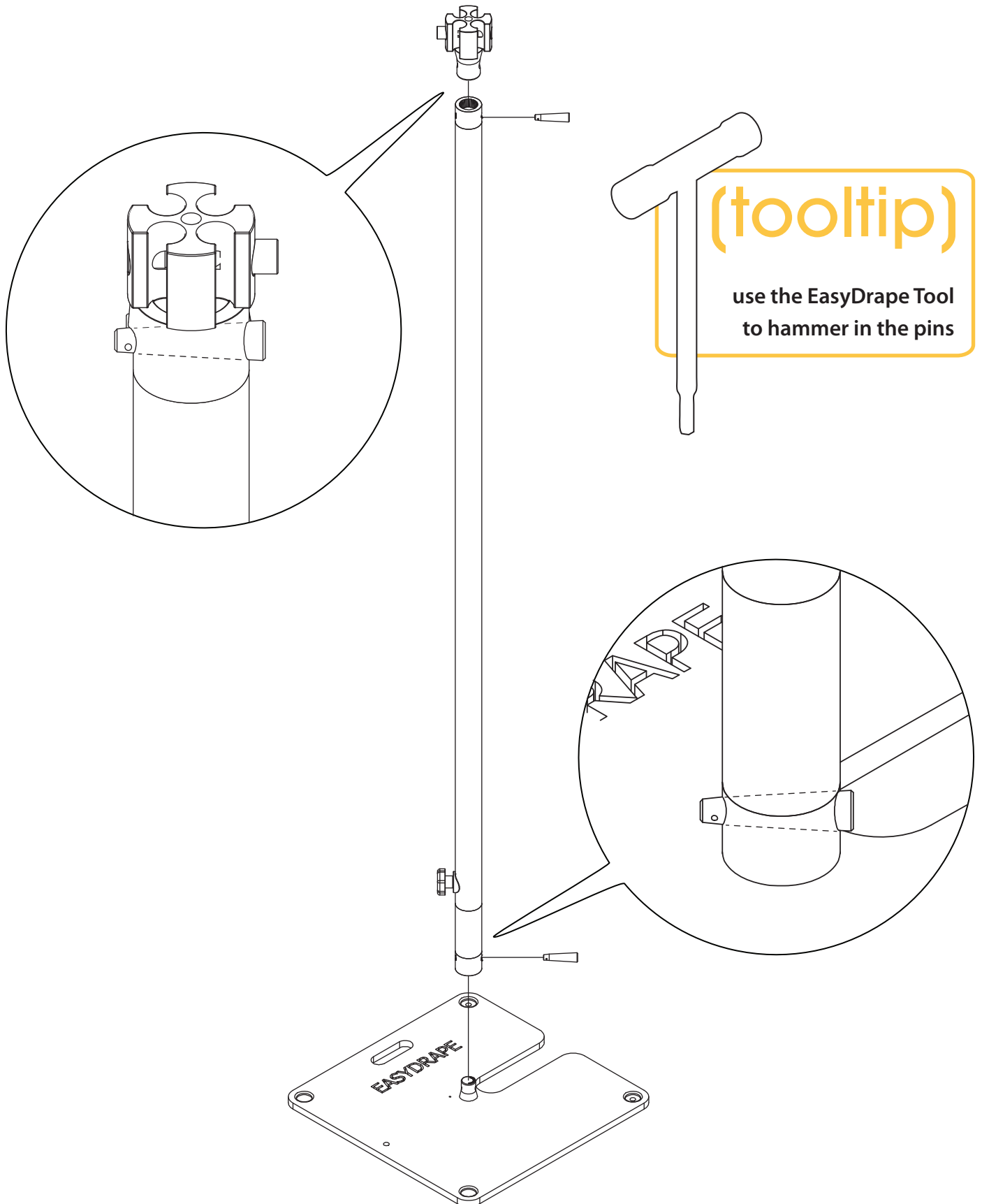


**(tool tip)**

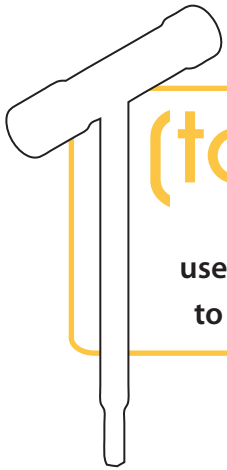
use the EasyDrape Tool to screw the base connectors into the base plates



- (2)** Attach the Uprights to the plates and the four way adaptor piece to the Uprights  
Hammer the pin into the larger of the two holes in the upright.

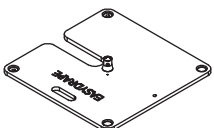
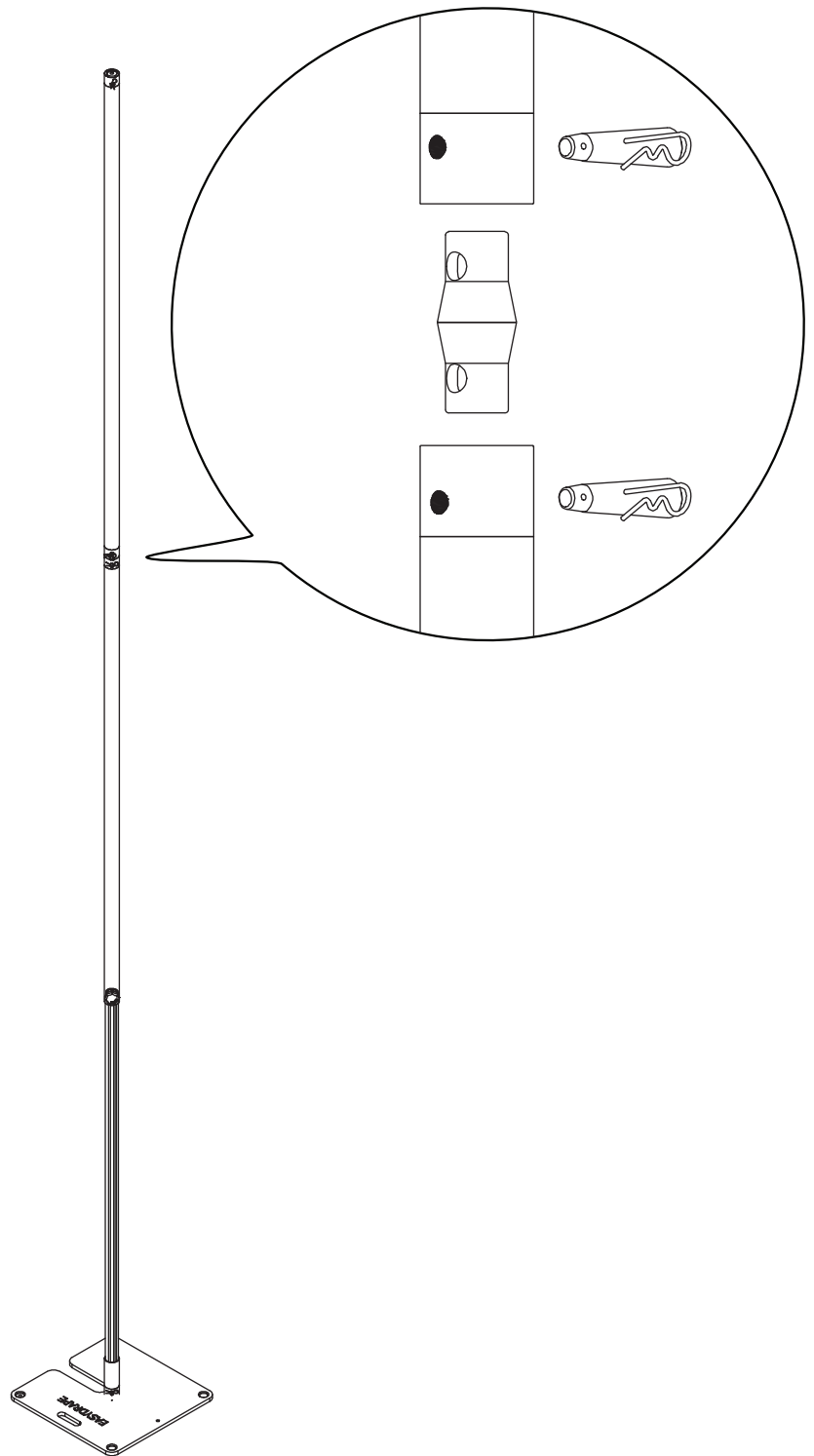


- (4)** Attach an extension to the Upright with one conical coupler.  
Hammer the pins into the larger of the two holes. Use safety R-springs to secure the two curved supports to each other.



**(tooltip)**

use the EasyDrape Tool  
to hammer in the pins

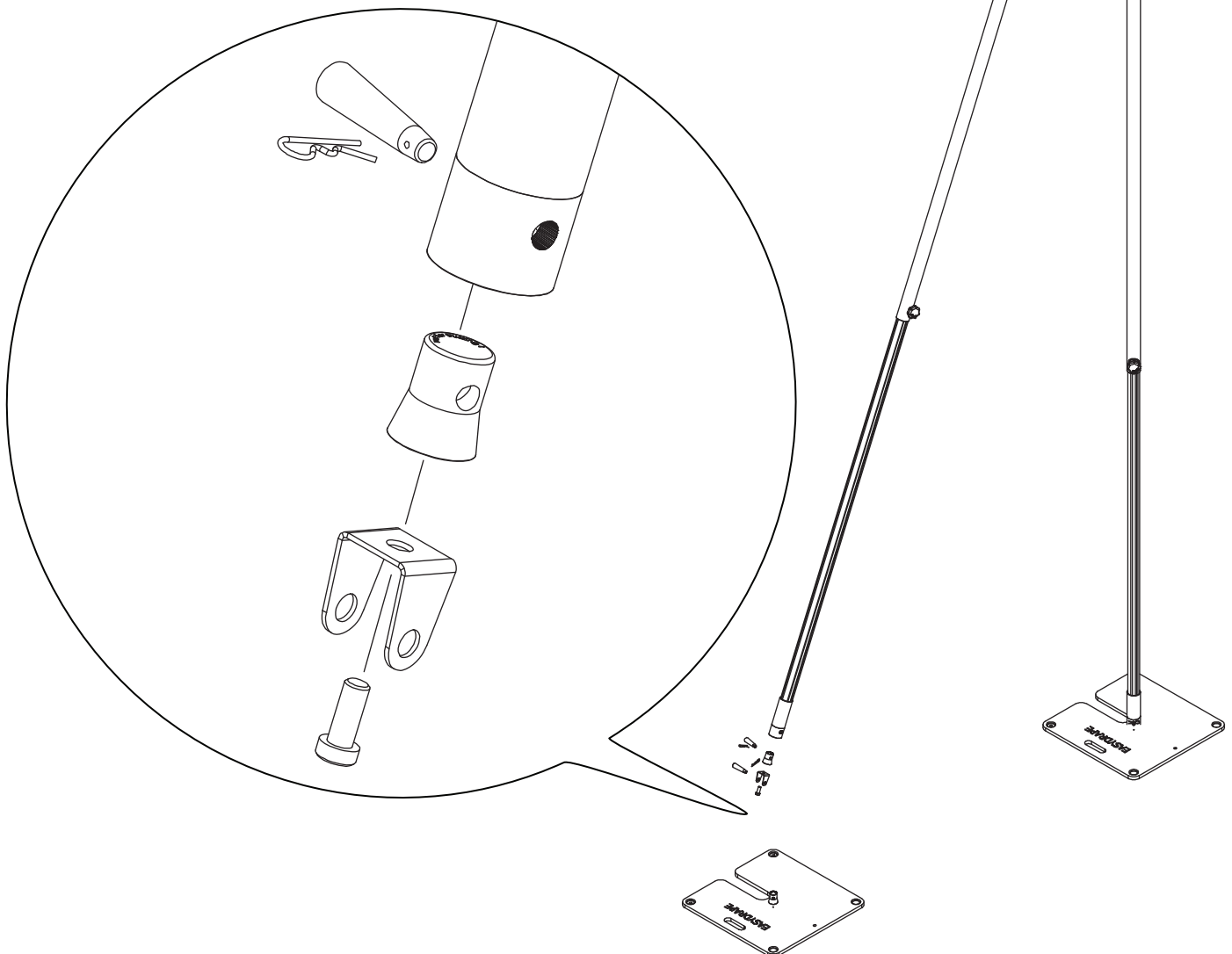


- (5)** Attach a hinge to the other Upright using a half conical coupler. Use the EasyDrape Tool to hammer the pin into the larger of the two holes in the coupler. Use a safety R-spring to secure the coupler to the Upright and screw the hinge to the coupler.



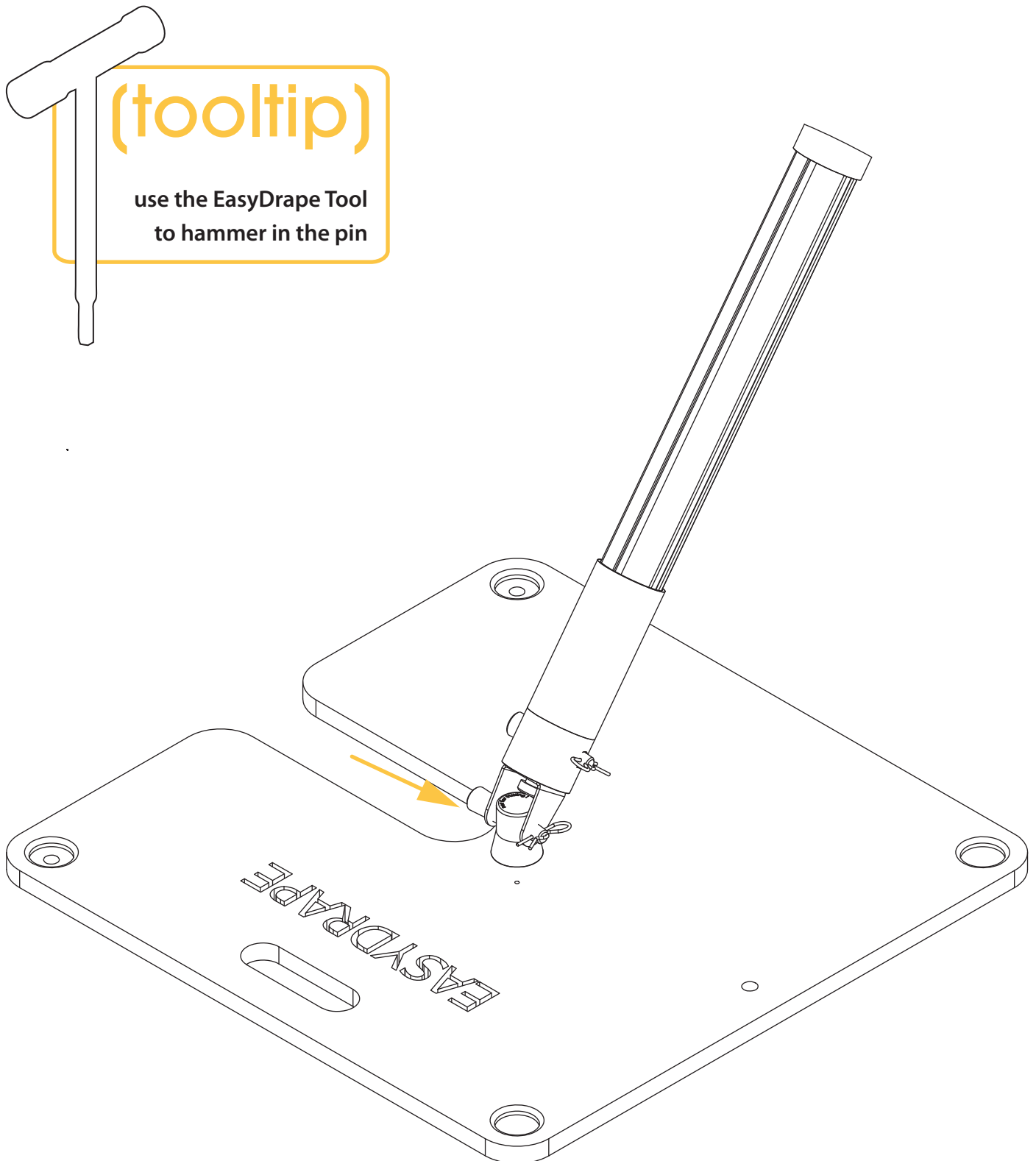
**(tool tip)**

use the EasyDrape Tool  
to hammer in the pins



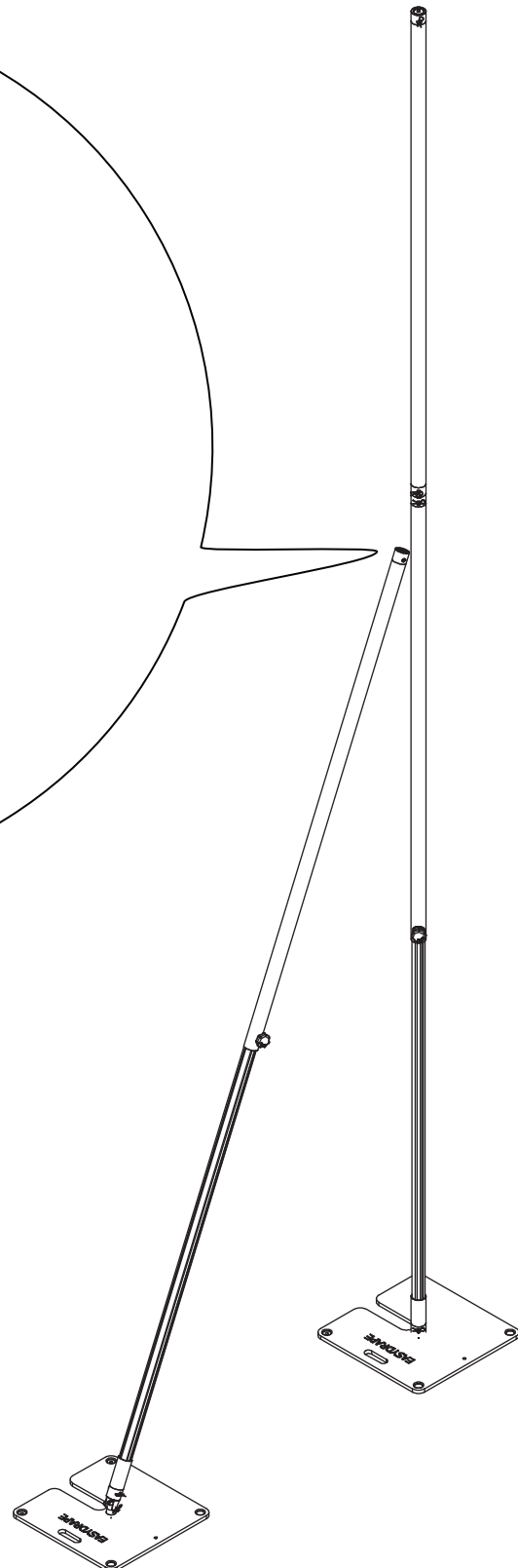
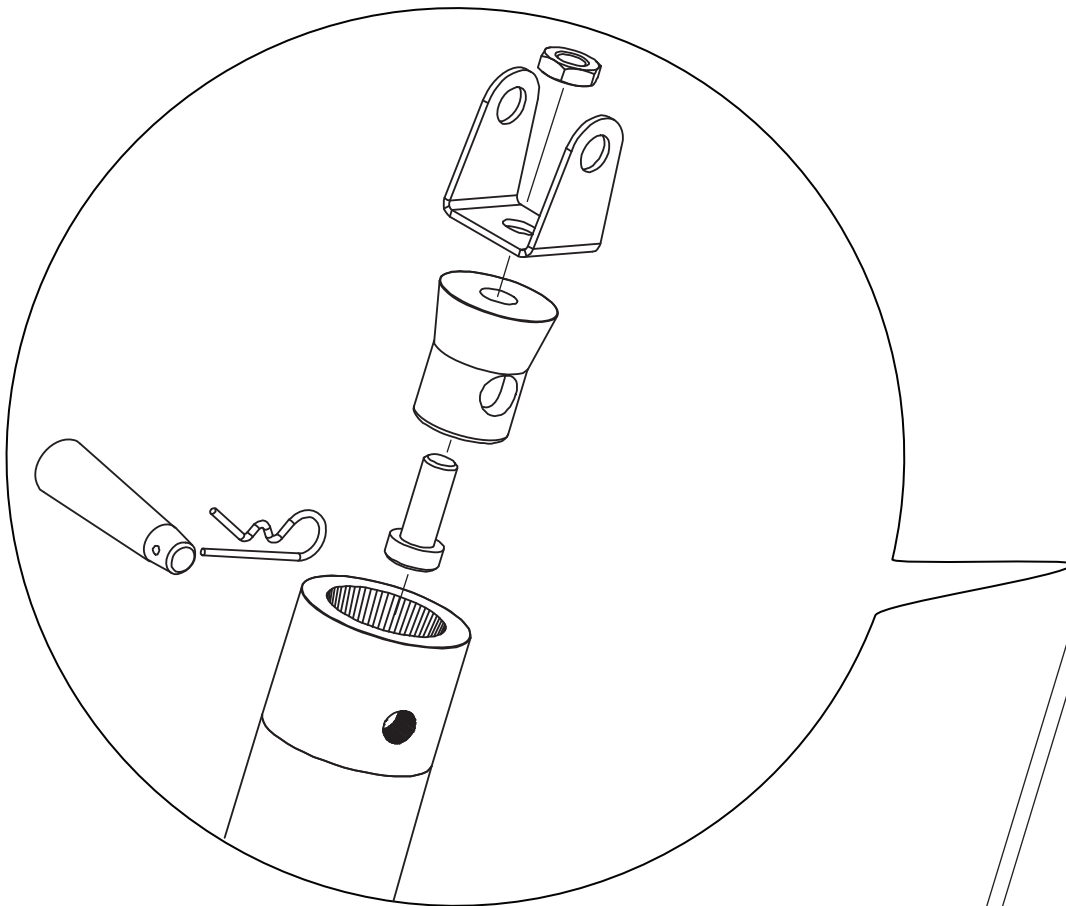
## (6) Attach the Upright to the Base Plate.

Use the EasyDrape Tool to hammer the pin into the larger of the two holes of the hinge. Use a safety R-spring to secure the hinge to the Base Plate.

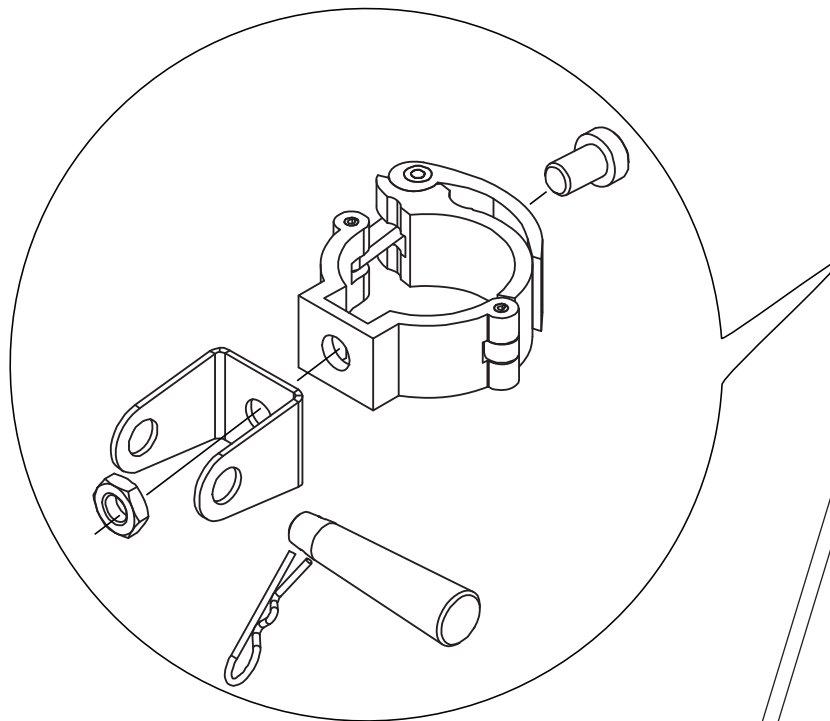




- (7)** Attach a clamp to the top of the Upright using two hinges and a half conical coupler. First screw the half conical coupler to the hinge using a nut, and attach the hinge to the Upright. Use the EasyDrape Tool to hammer the pin into the larger of the two holes in the coupler. Use a safety R-spring to secure the coupler to the Upright and.

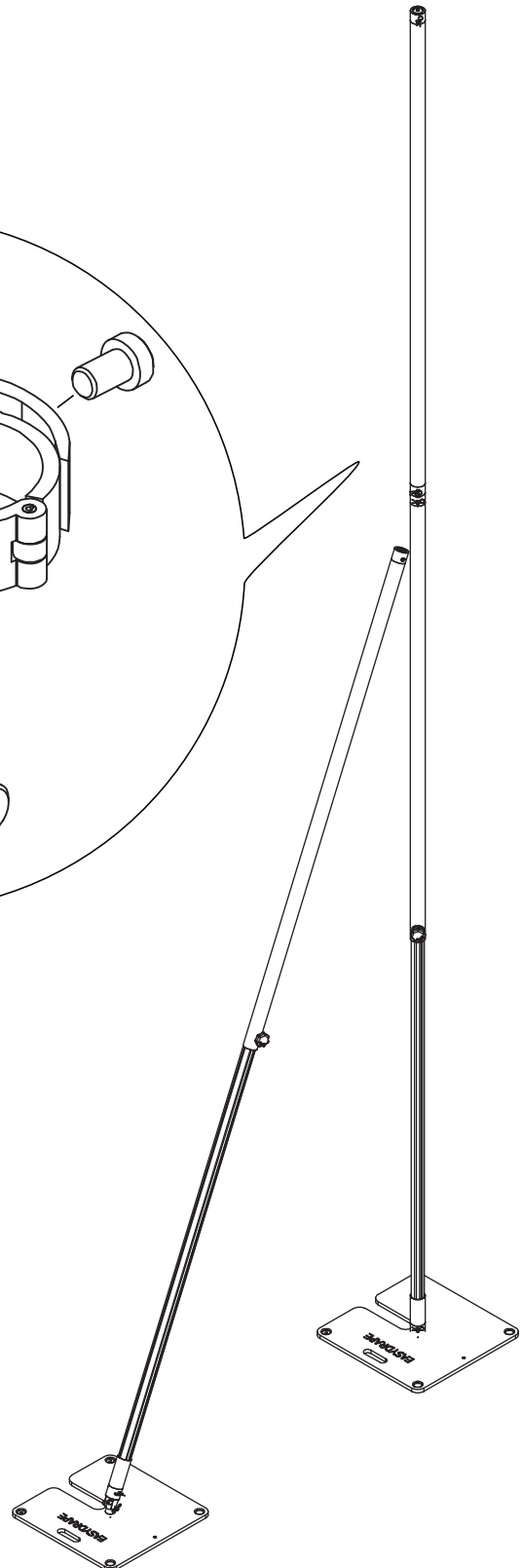


- (6)** Then screw a hinge to the clamp using a nut.  
Hammer the pin into the larger of the two holes of the hinges. Use safety R-springs to secure the two hinges together. **Next attach the two hinges together using a pin and R-spring.**

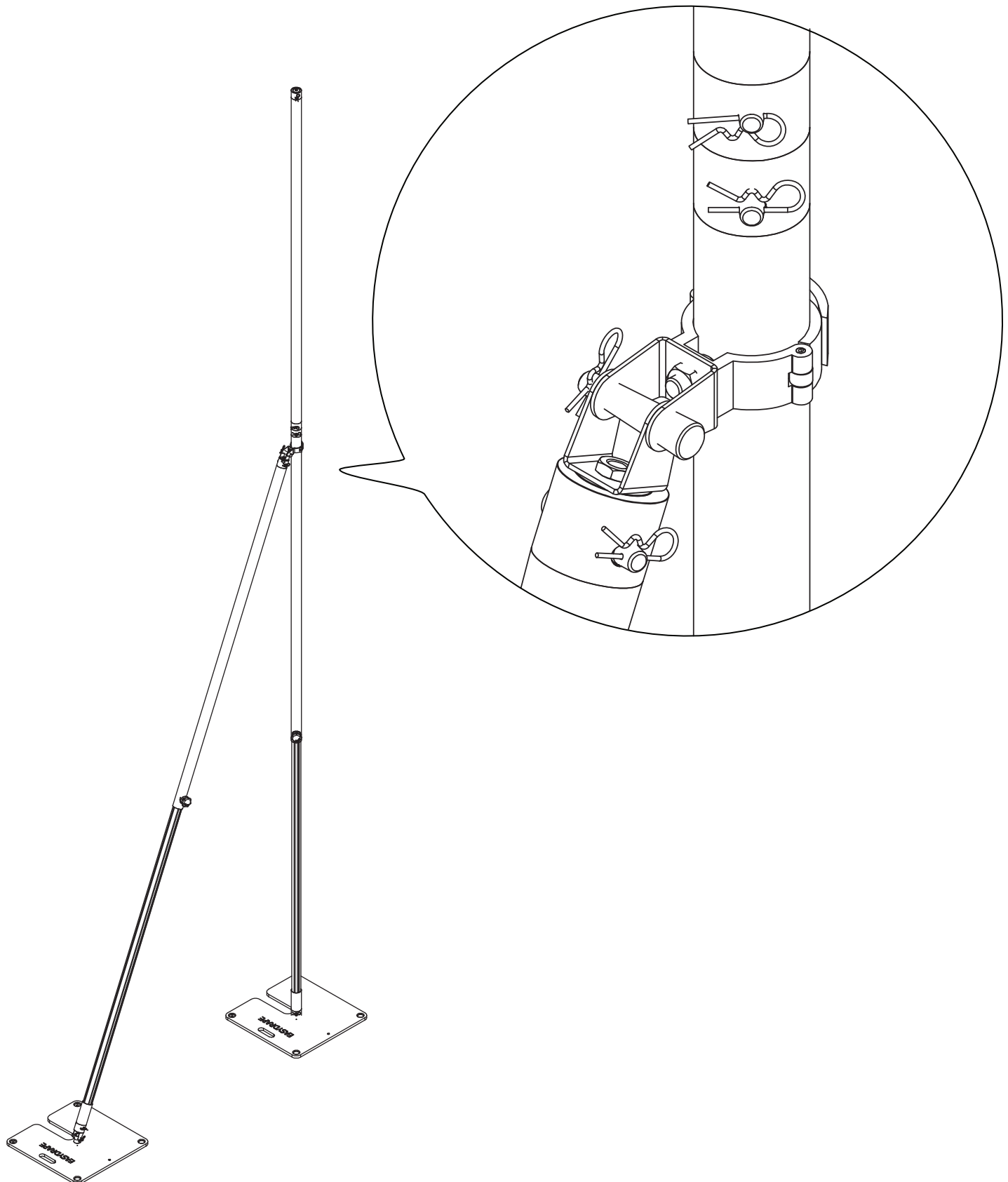


**(tooltip)**

use the EasyDrape Tool  
to hammer in the pin



**(7)** Attach the clamp to the larger upright and you're ready to roll!



# TROUBLE SHOOTING

---

- For more technical assistance please contact your local ShowTex office.

**HAVE A GREAT SHOW!**  
MORE INFO ON [WWW.SHOWTEX.COM](http://WWW.SHOWTEX.COM)