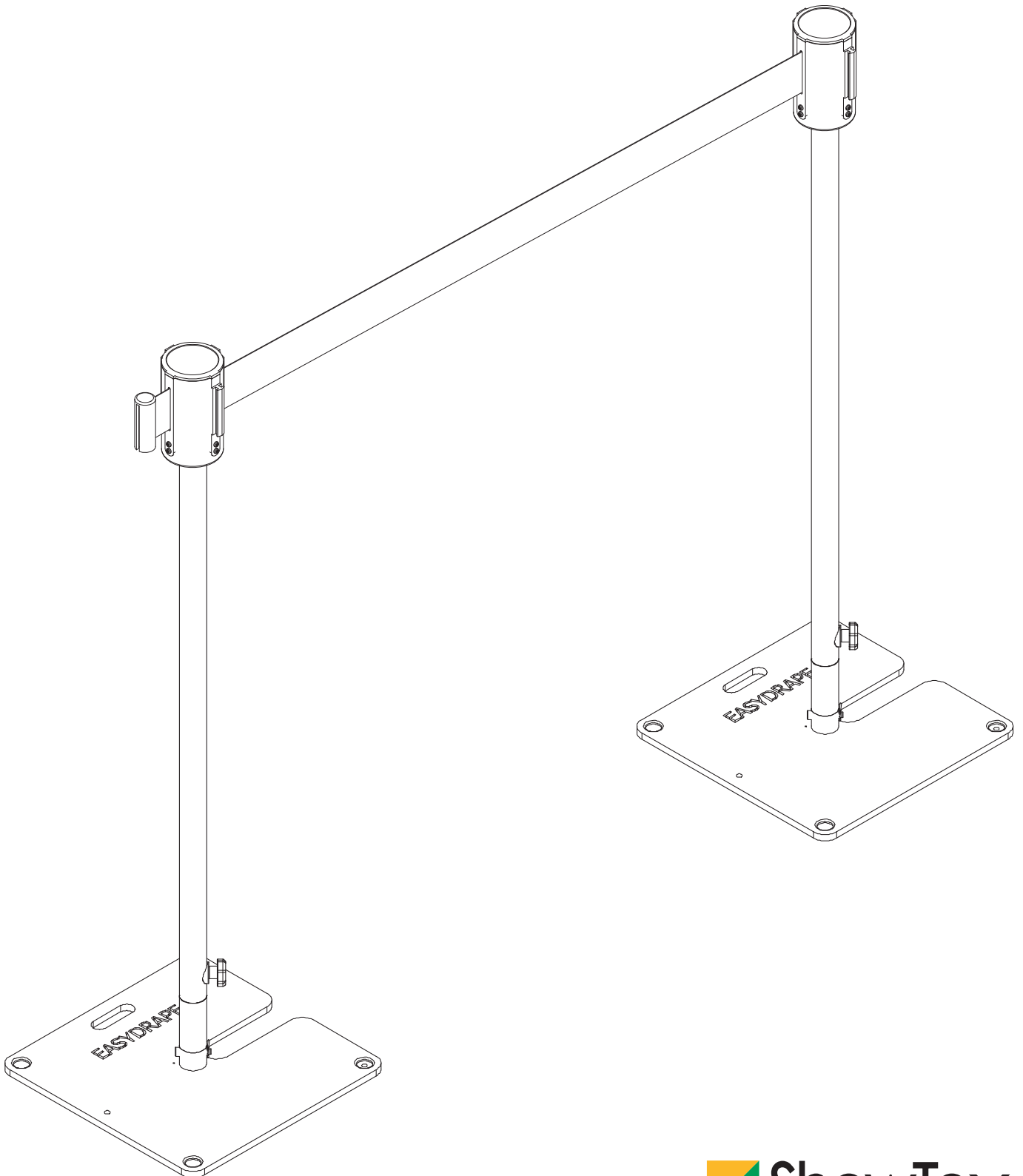


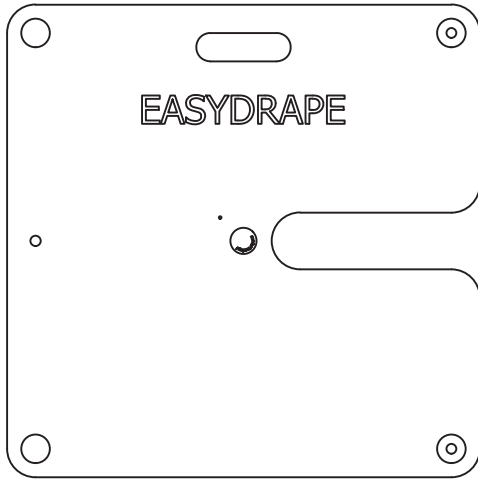
EASYDRAPE

RETRACTABLE BELT CARRIER

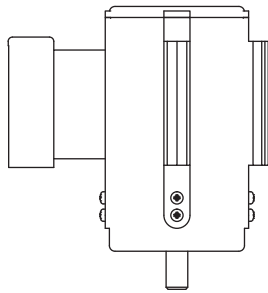


COMPONENTS

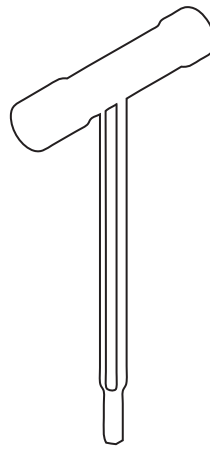
Create unlimited EasyDrape configurations using these different parts.



2X



2X



1X



4X



4X



4X



2X

ASSEMBLY

- (1) Place 2 base plates and attach the base plate connectors to the plates (page 7)
- (2) Attach the Uprights to the plates (page 8)
- (3) Secure the Uprights to the base plates (page 9)

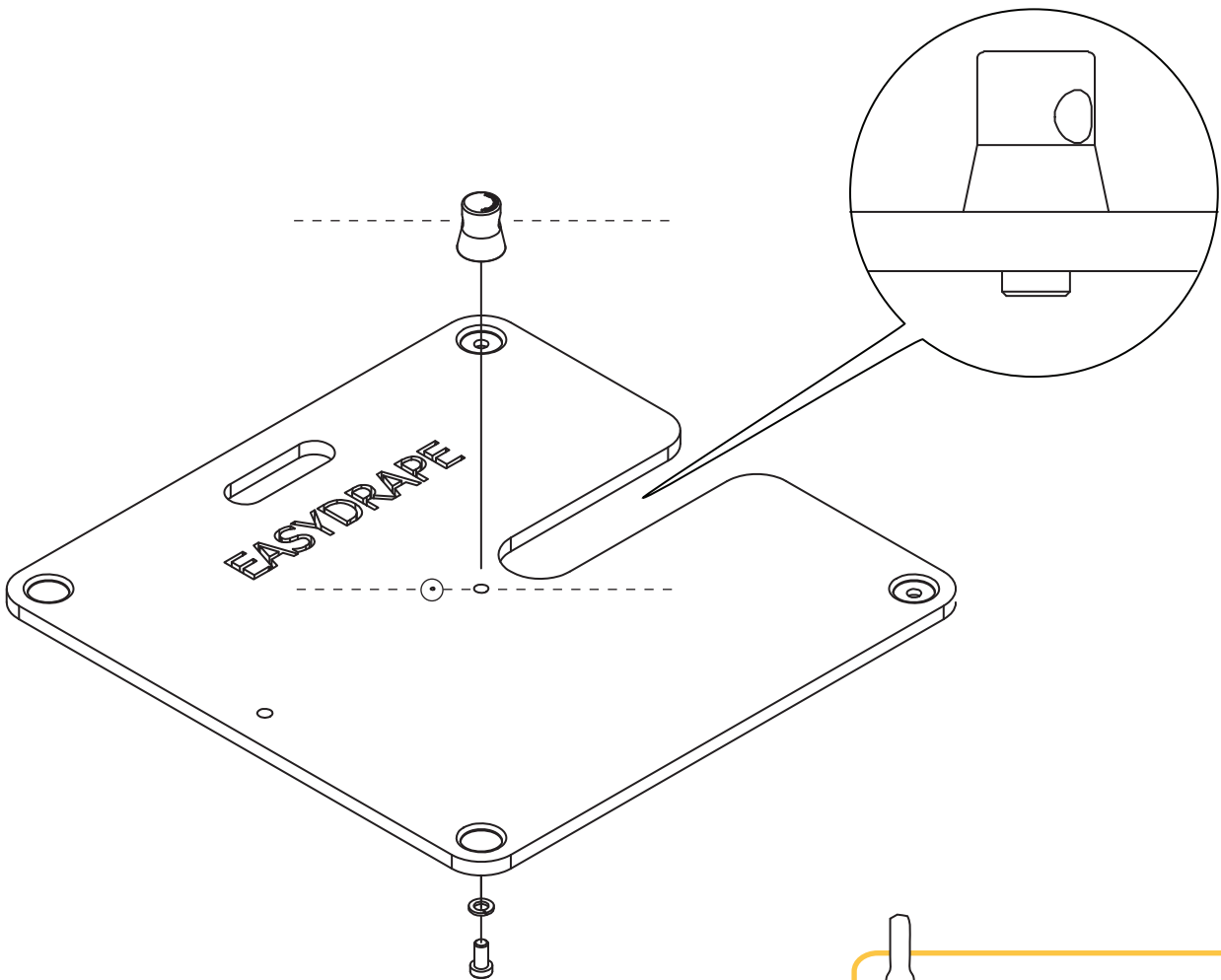
ASSEMBLY

(1)

Attach the base plate connectors to the base plates

and position the EasyDrape base plates at the desired distance apart.

When positioning the base plate connectors in the base plates, make sure the two holes in the sides of the connector are lined up in the same direction as the small markings in the base plate.

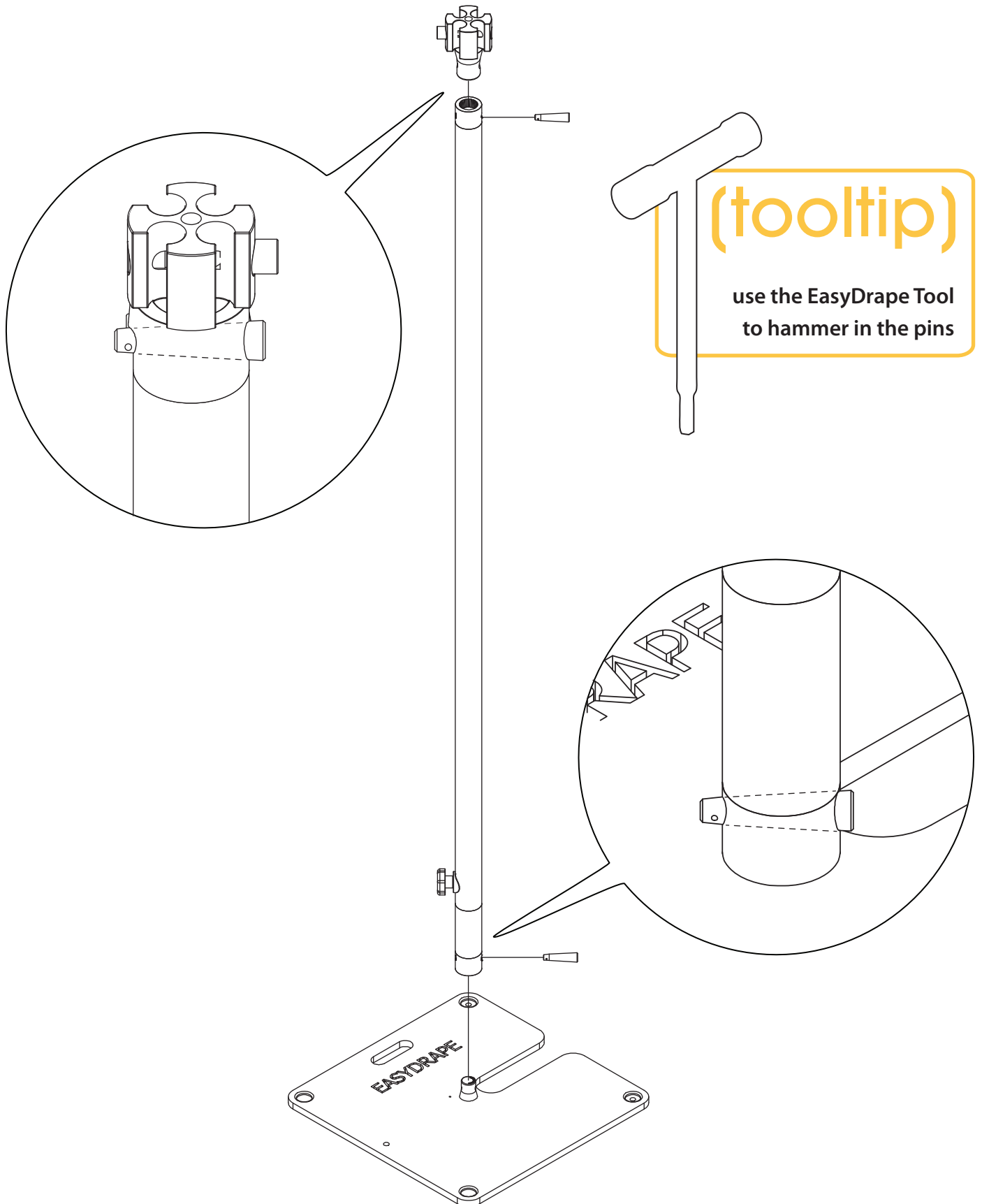


(tool tip)

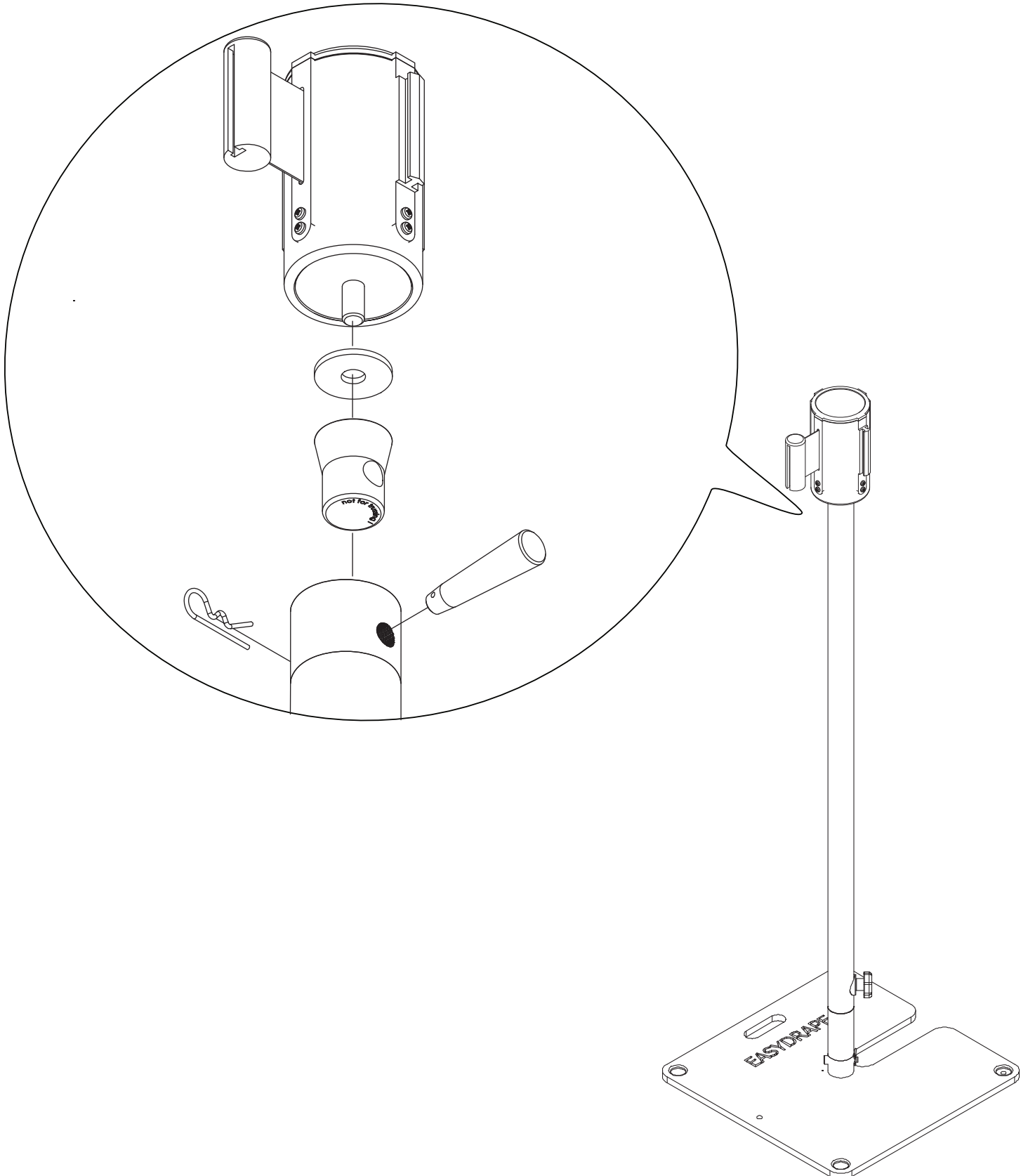
use the EasyDrape Tool to
screw the base connectors
into the base plates



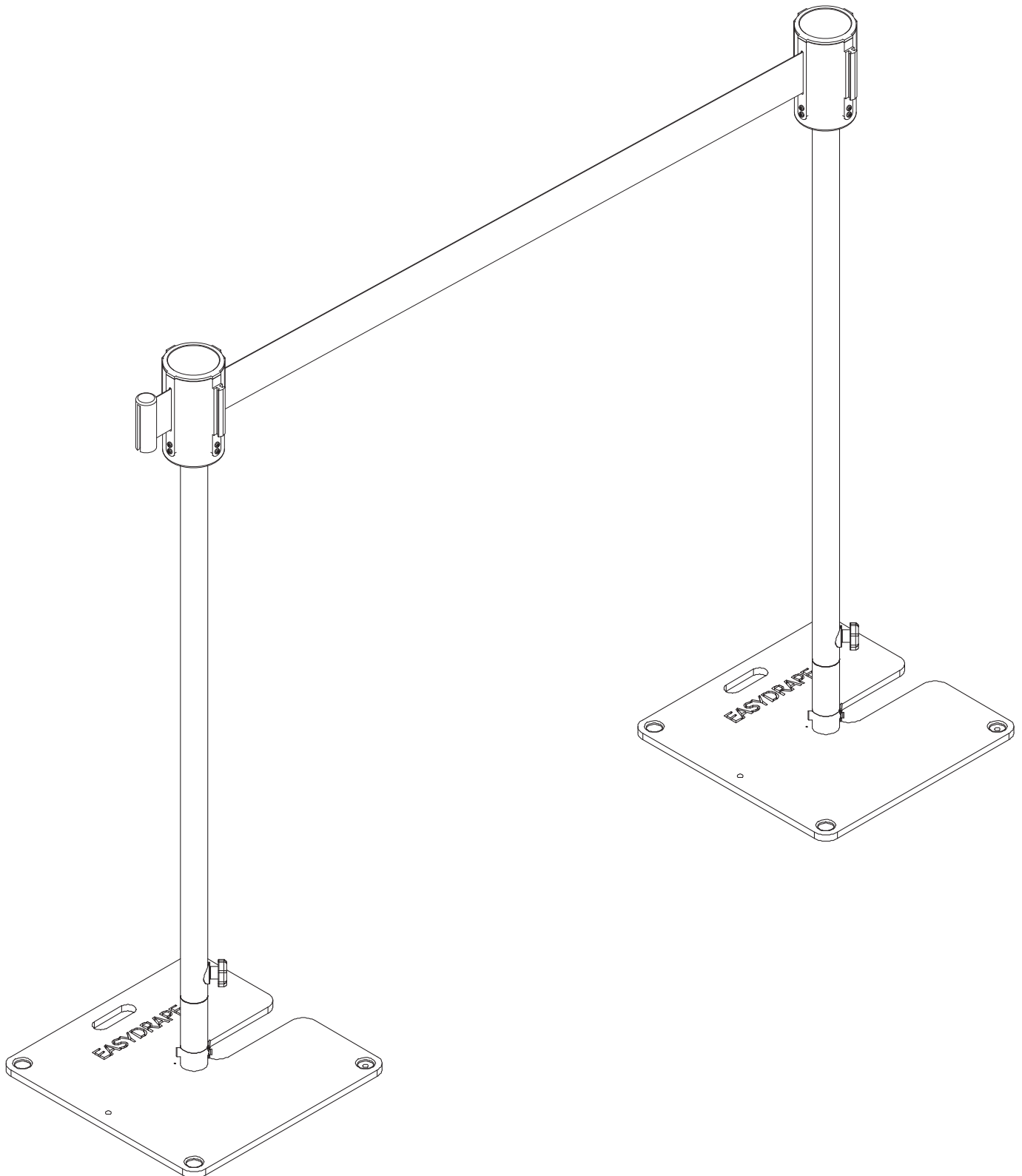
- (2)** Attach the Uprights to the plates and the four way adaptor piece to the Uprights
Hammer the pin into the larger of the two holes in the upright.



- (4)** Attach the Retractable Belt Carrier to the Upright using a half conical coupler. Hammer the pin into the larger of the two holes of the coupler. Use safety R-springs to secure the Retractable Belt Carrier to the Upright. Repeat this for the other Upright.



- (5)** Attach the belt to another Retractable Belt Carrier and you're ready to roll!



TROUBLE SHOOTING

- For more technical assistance please contact your local ShowTex office.

HAVE A GREAT SHOW!
MORE INFO ON WWW.SHOWTEX.COM