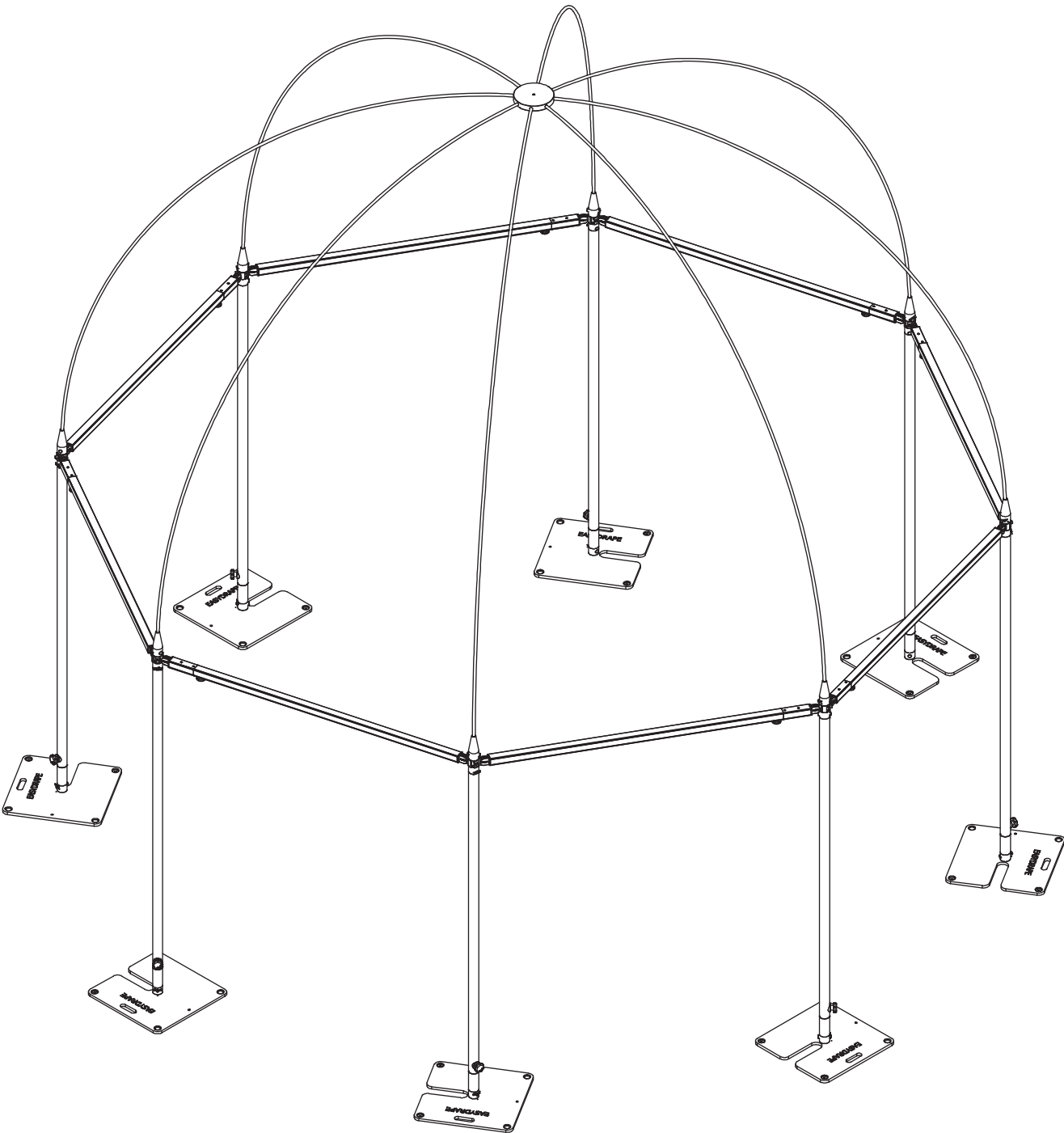


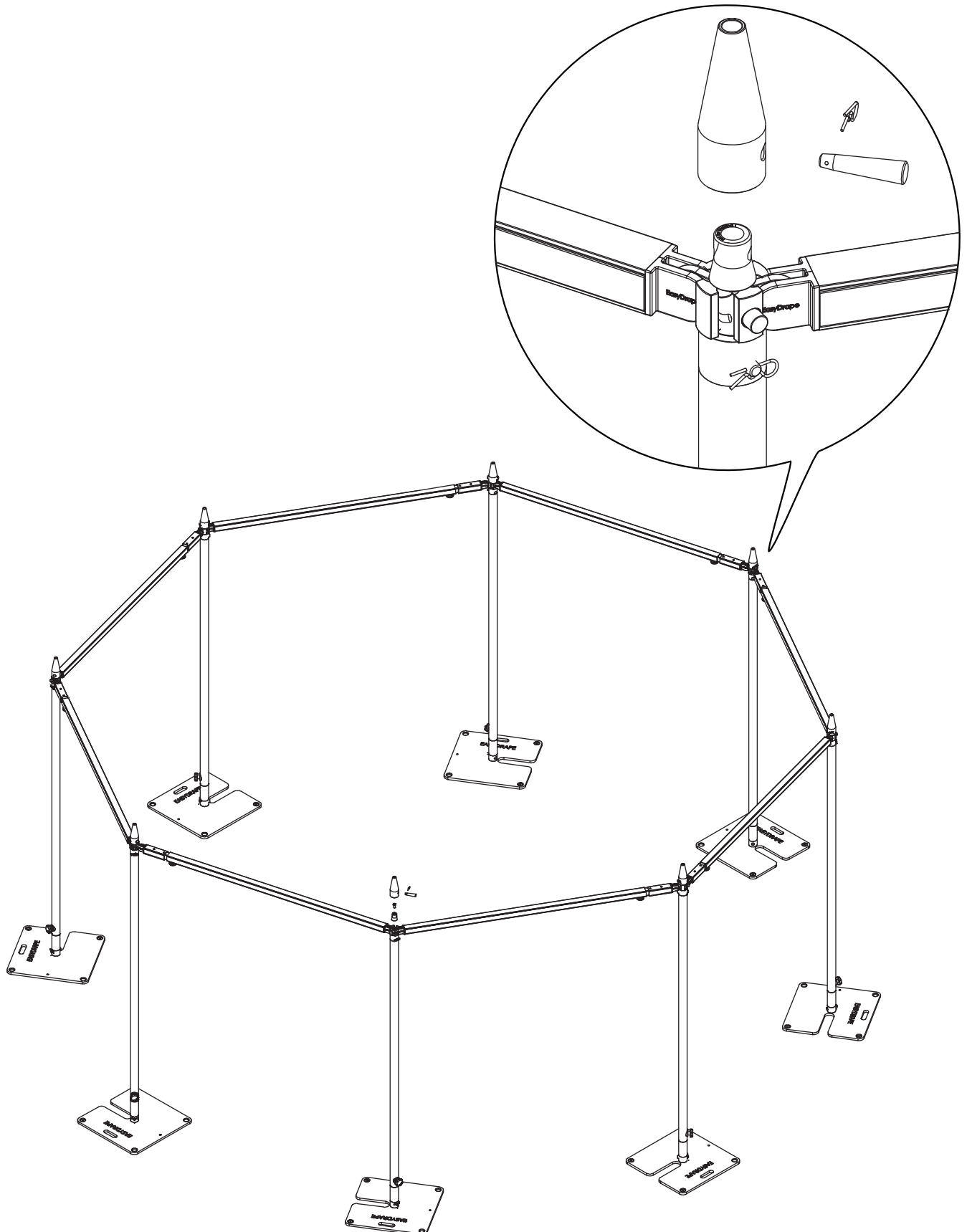
EASYDRAPE

MAKING A DOME

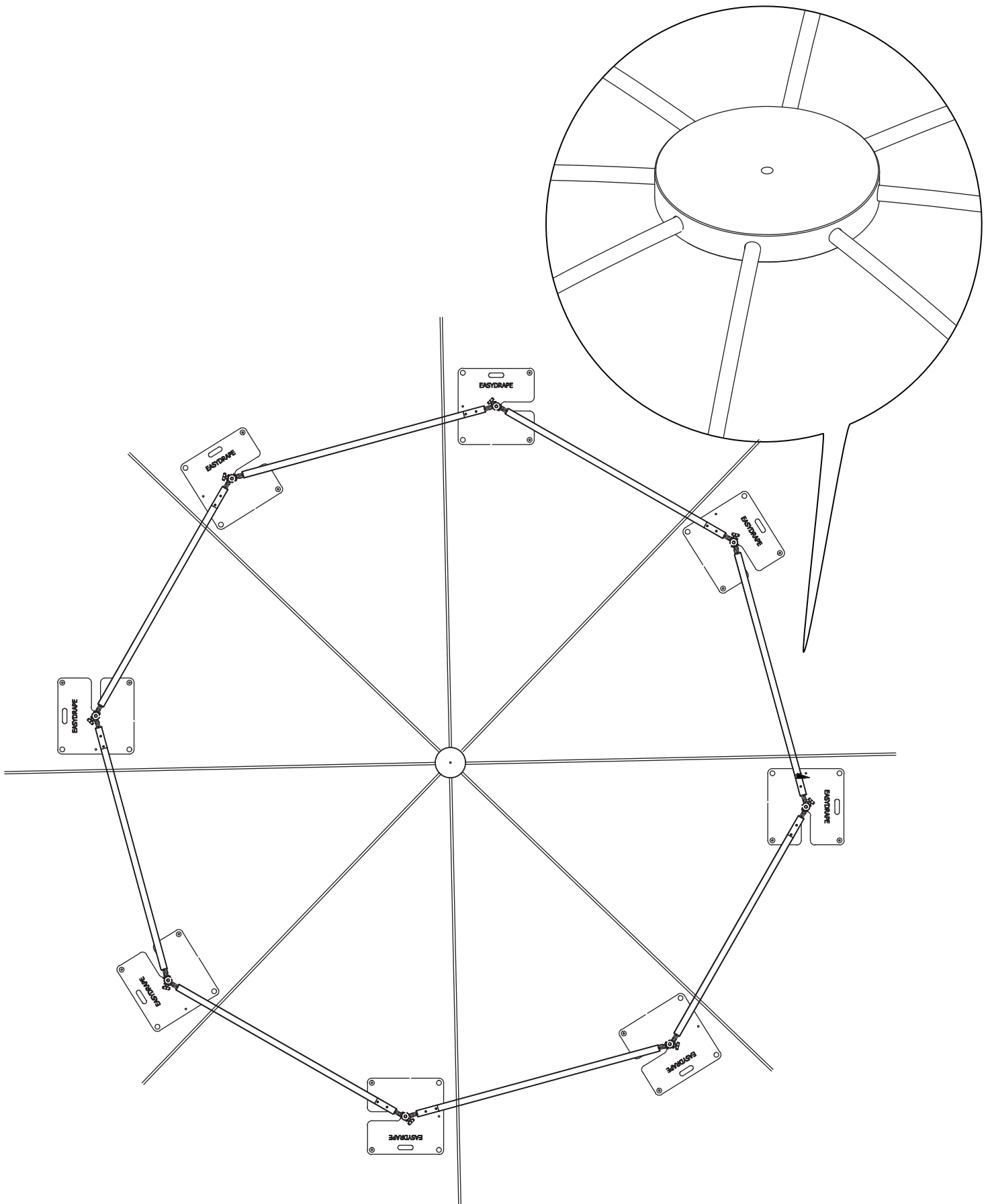


(8) Attach a Fibre Rod Adaptor to the Uprights.

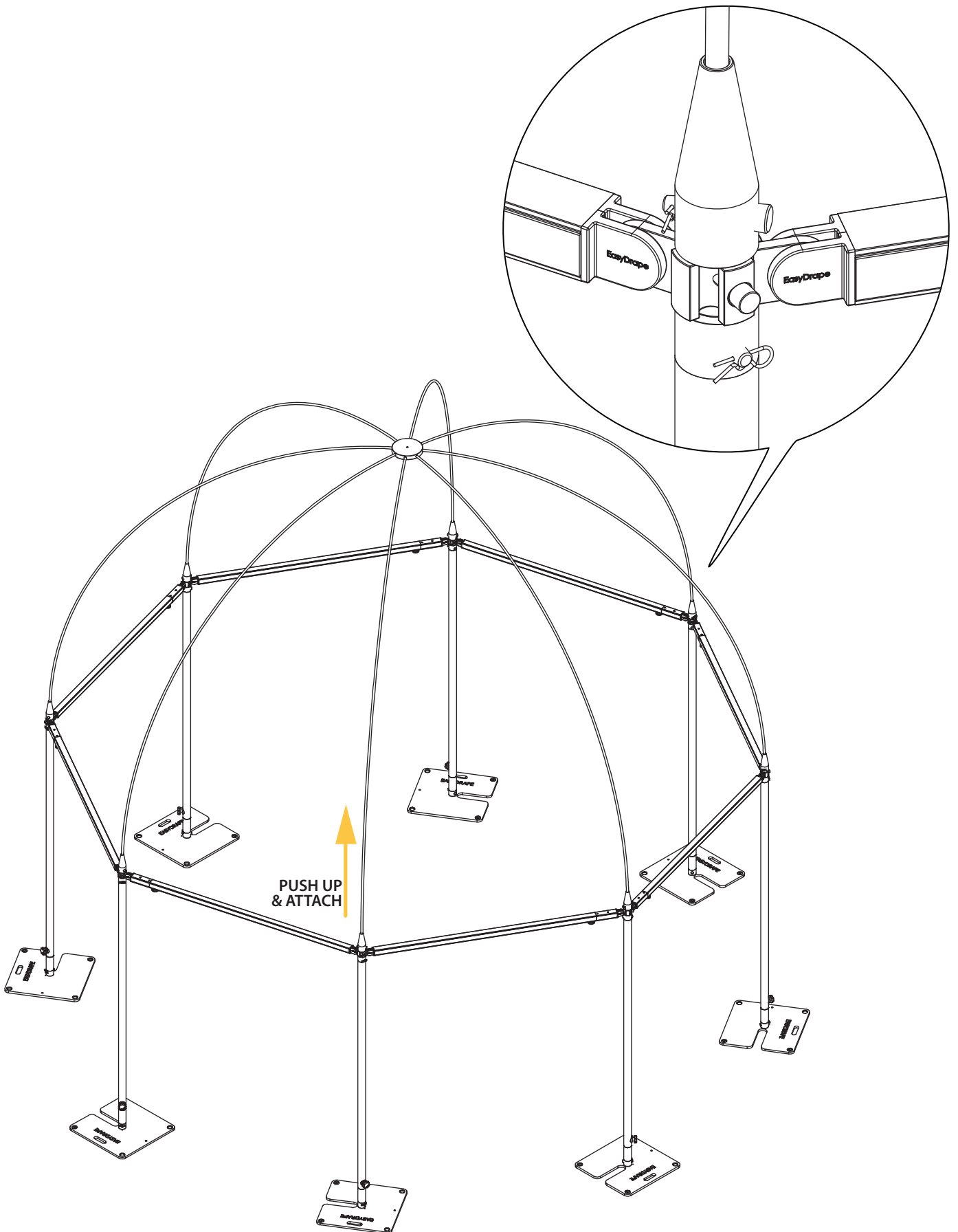
Use the EasyDrape Tool to hammer the pin into the larger of the two holes in the adaptor. Use a safety R-spring to secure the Fibre Rod Adaptor to the Uprights.



- (10)** One by one insert the Fibre Rods into the EasyDrape Fibre Disk.
Position the Fibres on top of the horizontal drape supports to attach your fabric it.



- (11) Two by two, push the opposed Fibre Rods to the middle of the dome, bending them upwards. And connect them to a Fibre Rod Adaptor.



TROUBLE SHOOTING

- For more technical assistance please contact your local ShowTex office.

HAVE A GREAT SHOW!
MORE INFO ON WWW.SHOWTEX.COM