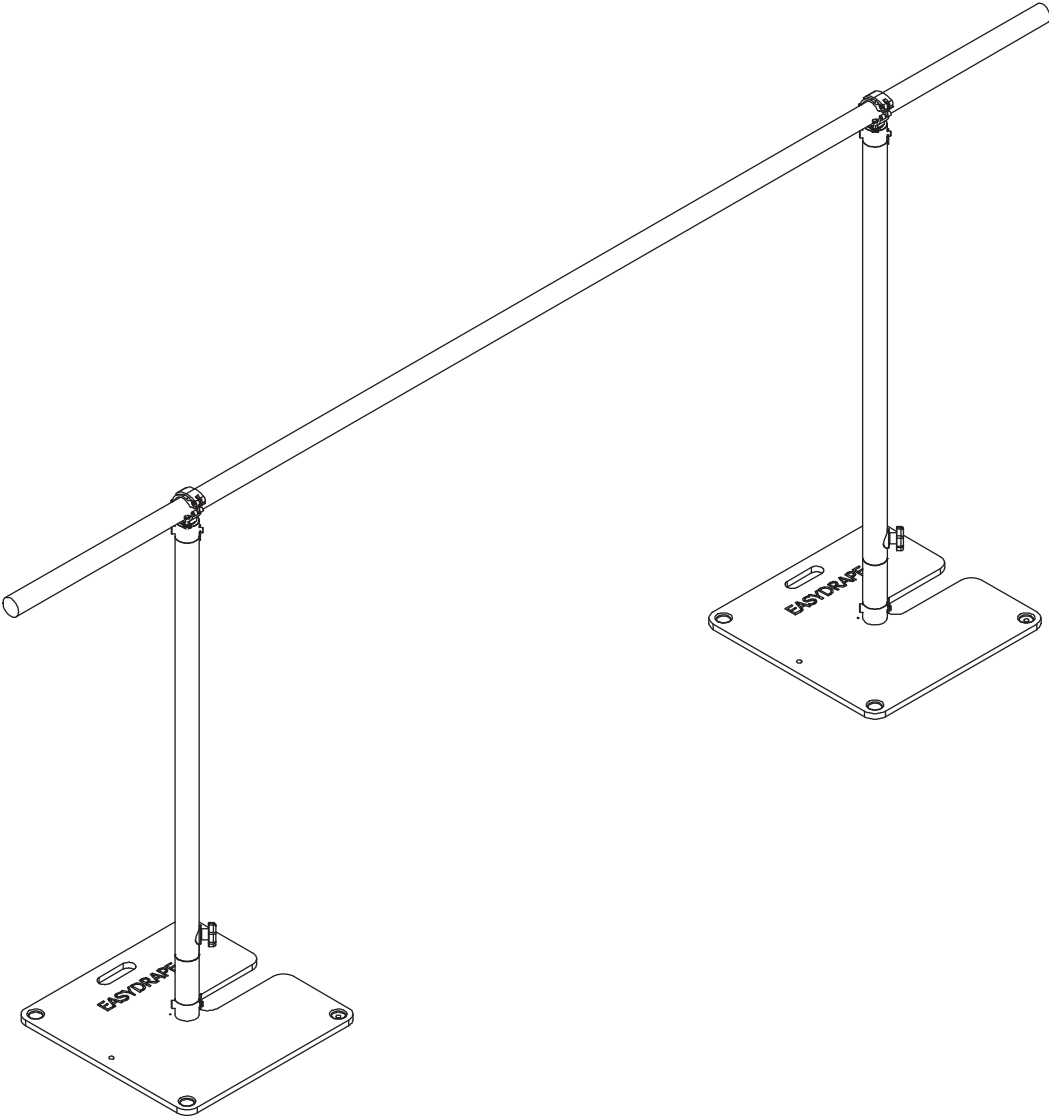


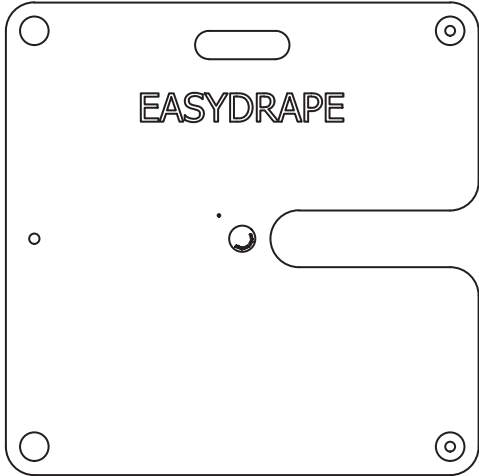
EASYDRAPE

DANCE BARRE

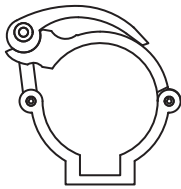


COMPONENTS

Create unlimited EasyDrape configurations using these different parts.



2X



2X



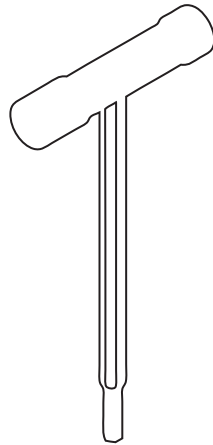
2X



4X



4X



1X



1X



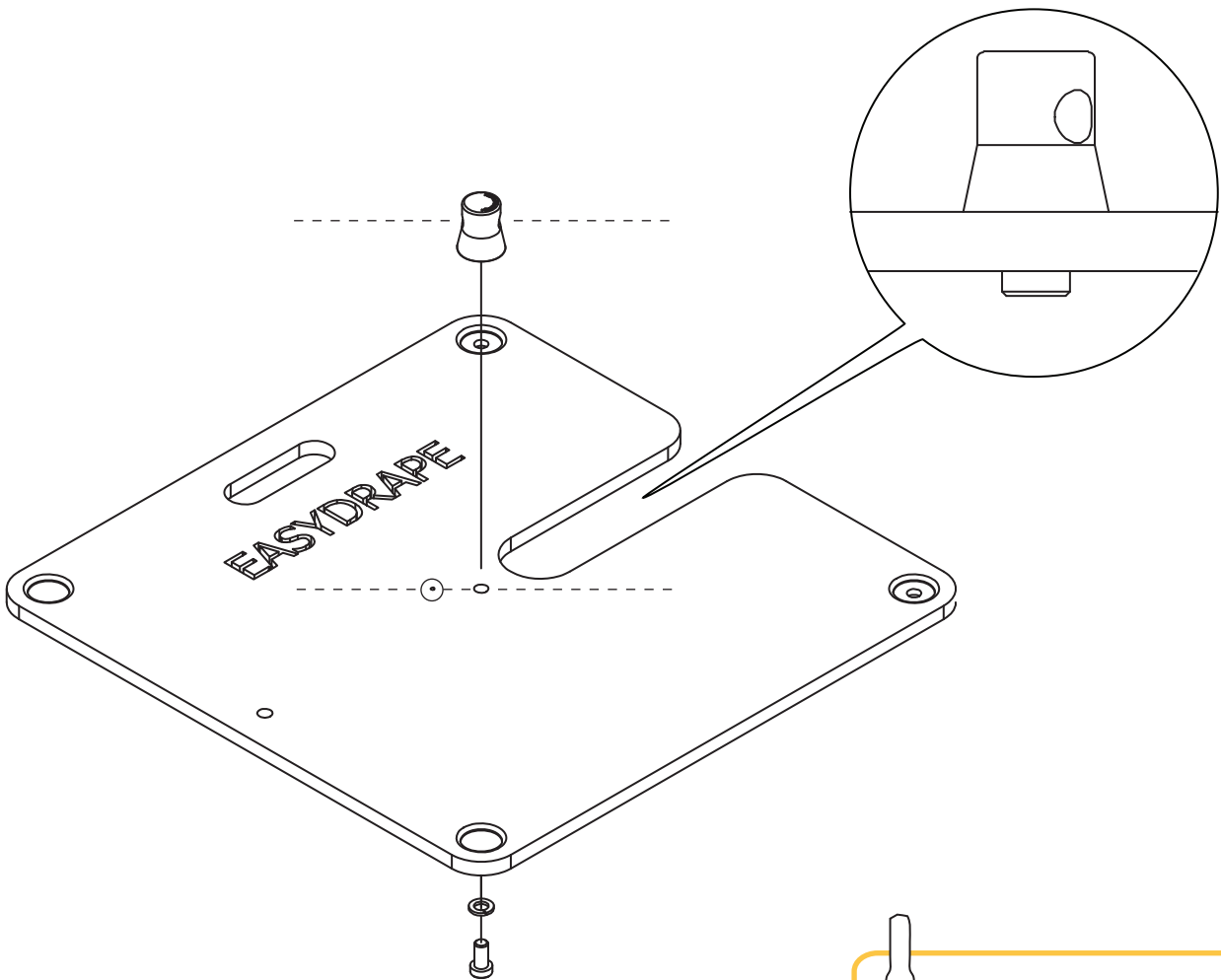
2X

ASSEMBLY

(1)

Attach the base plate connectors to the base plates and position the EasyDrape base plates at the desired distance apart.

When positioning the base plate connectors in the base plates, make sure the two holes in the sides of the connector are lined up in the same direction as the small markings in the base plate.

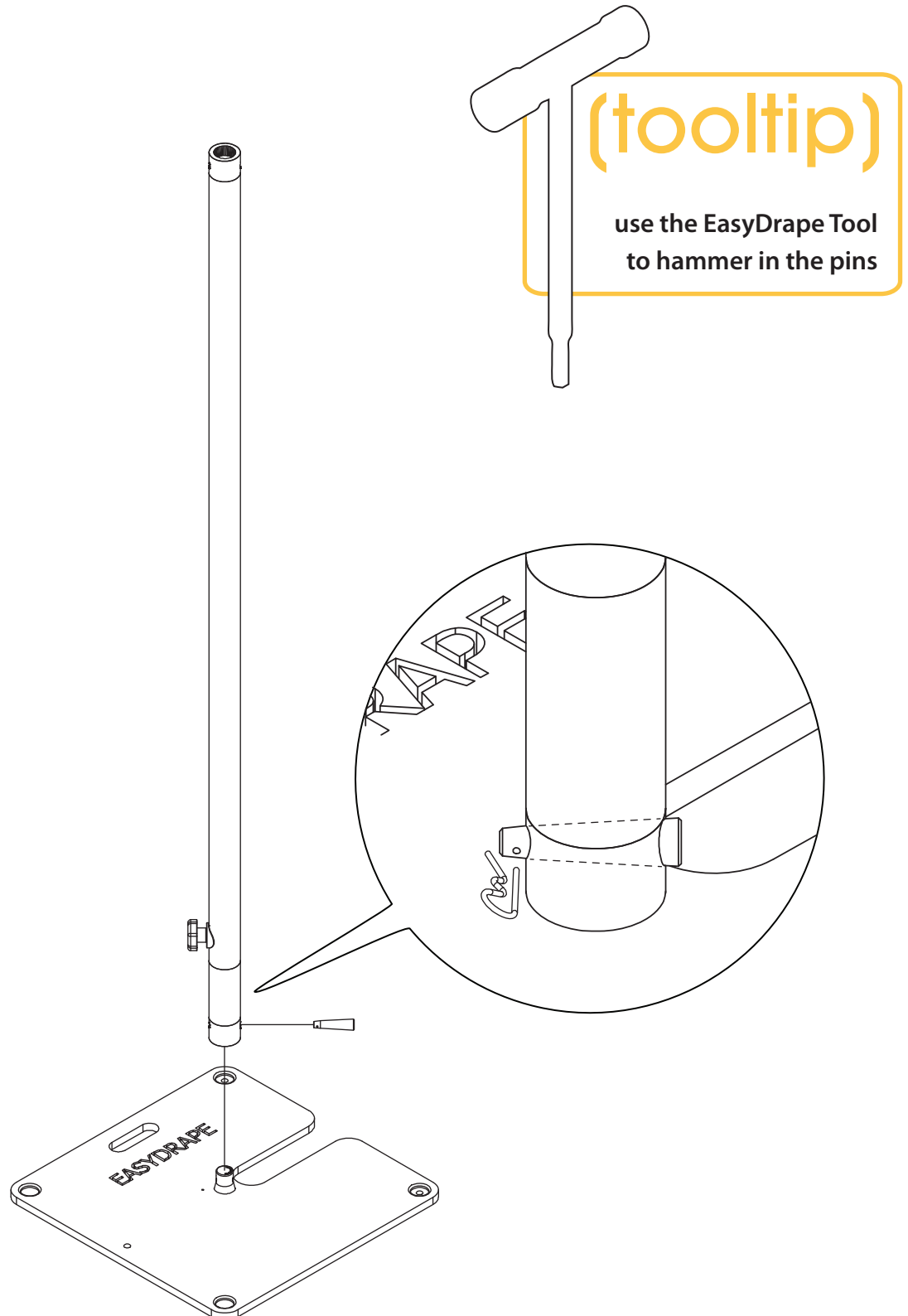


(tool tip)

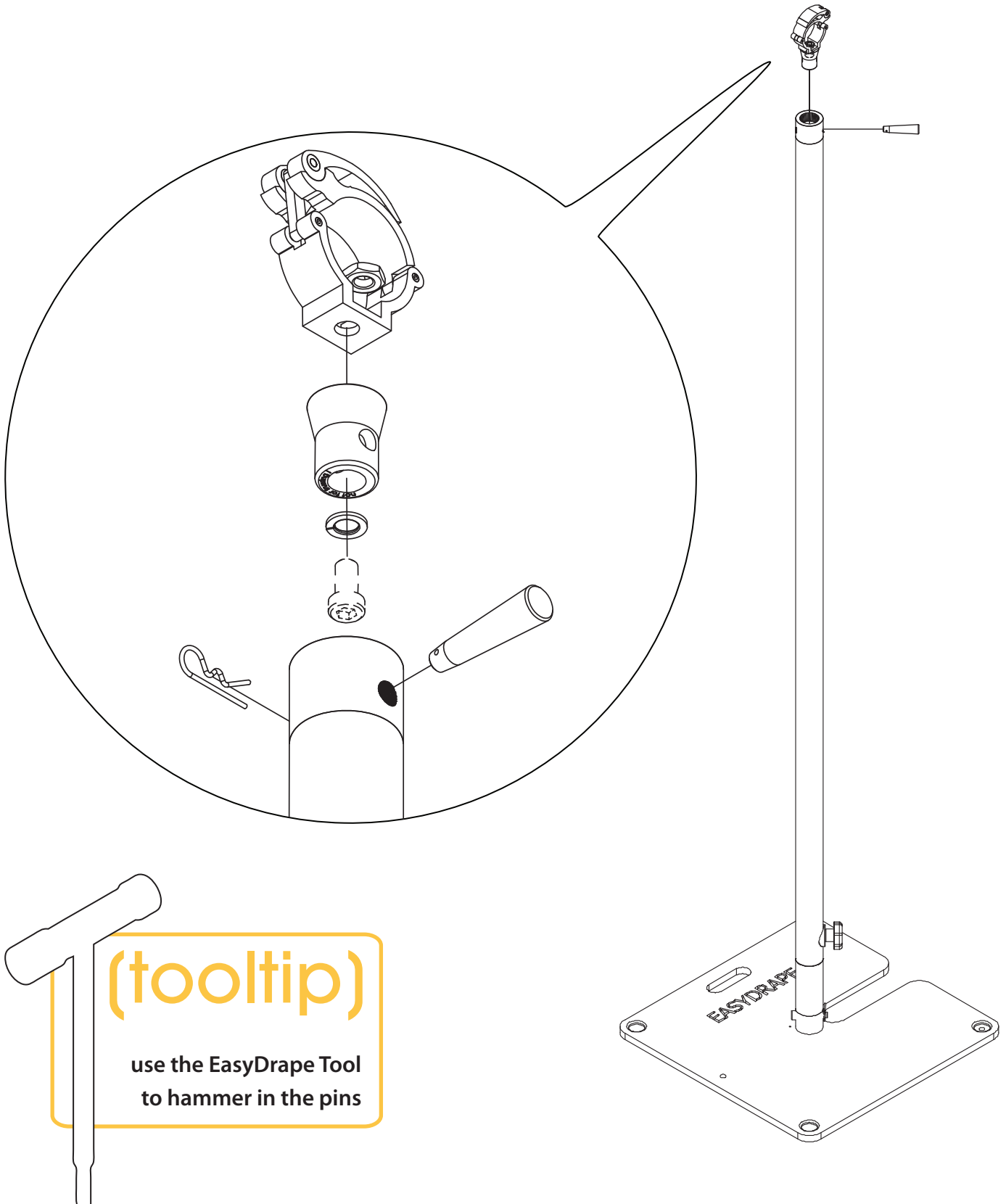
use the EasyDrape Tool to screw the base connectors into the base plates



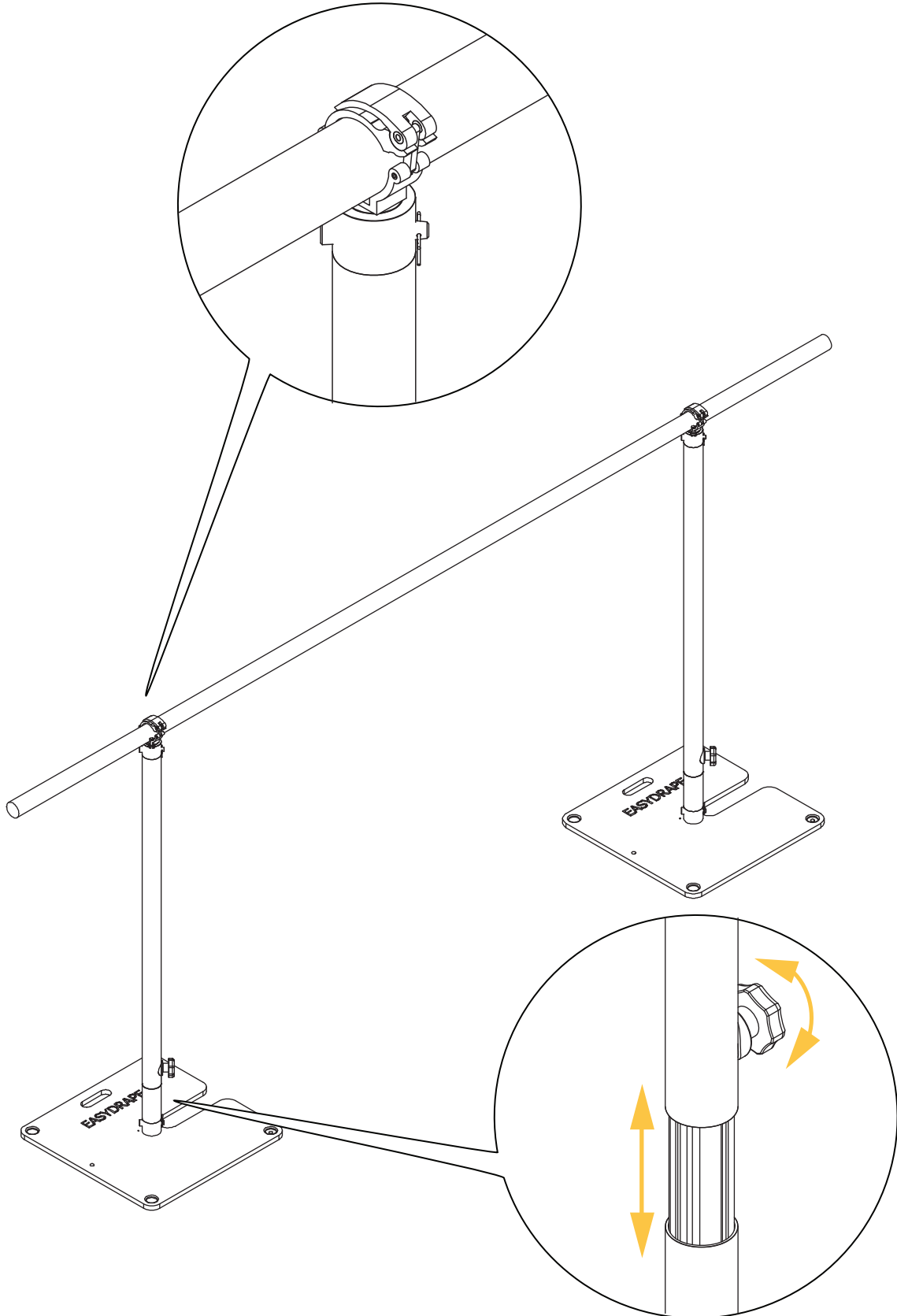
- (2)** Attach the Uprights to the plates and the EasyDrape Clamp to the Uprights
Hammer the pin into the larger of the two holes in the upright.
Use a safety R-spring to secure the Uprights to the plates and the clamps to the Uprights.



- (3)** **Attach the Clamps to the Uprights**
Hammer the pin into the larger of the two holes in the upright.
Use a safety R-spring to secure the clamps to the Uprights.



- (4)** Attach the dance barre to the Uprights using the clamps
Extend the Uprights to the desired height and you're ready to roll!



TROUBLE SHOOTING

- For more technical assistance please contact your local ShowTex office.

HAVE A GREAT SHOW!
MORE INFO ON WWW.SHOWTEX.COM