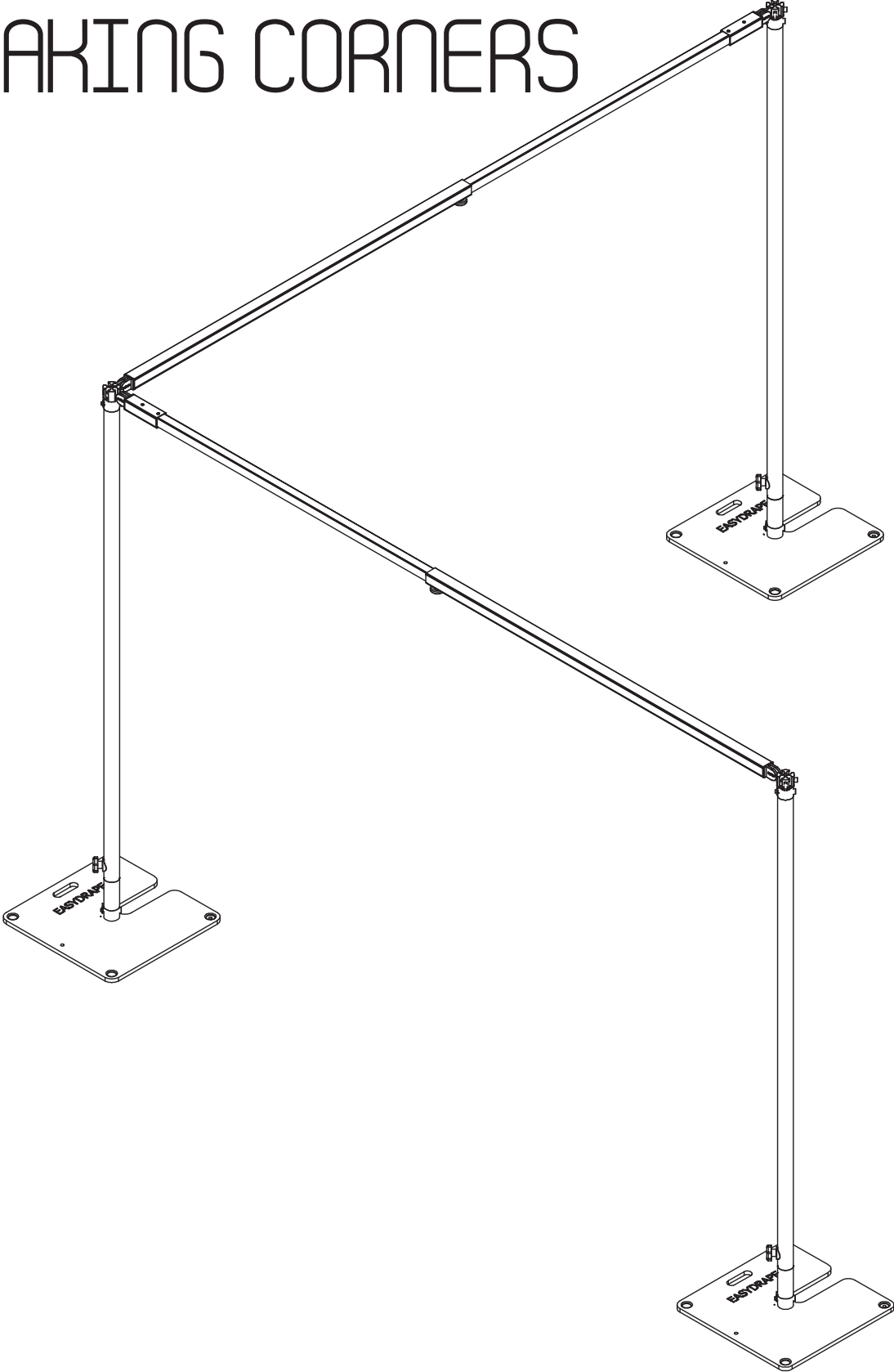


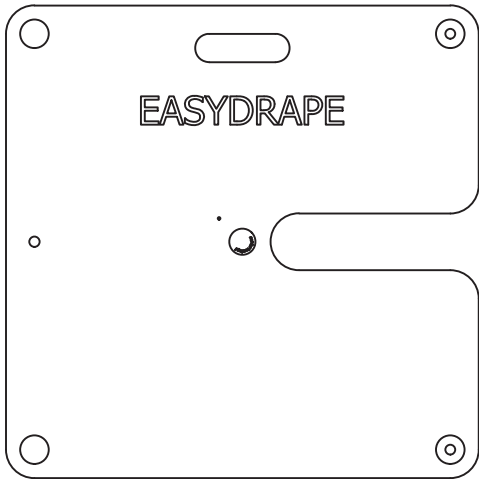
# EASYDRAPE

## MAKING CORNERS

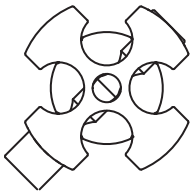


# COMPONENTS

Create unlimited EasyDrape configurations using these different parts.



3X



3X



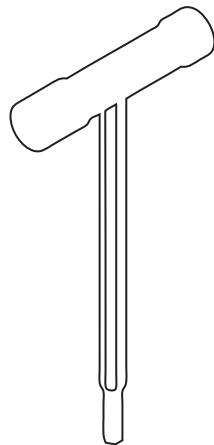
3X



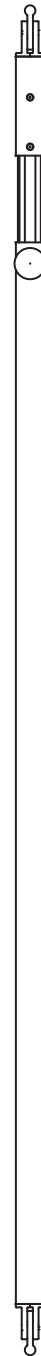
6X



6X



1X



2X



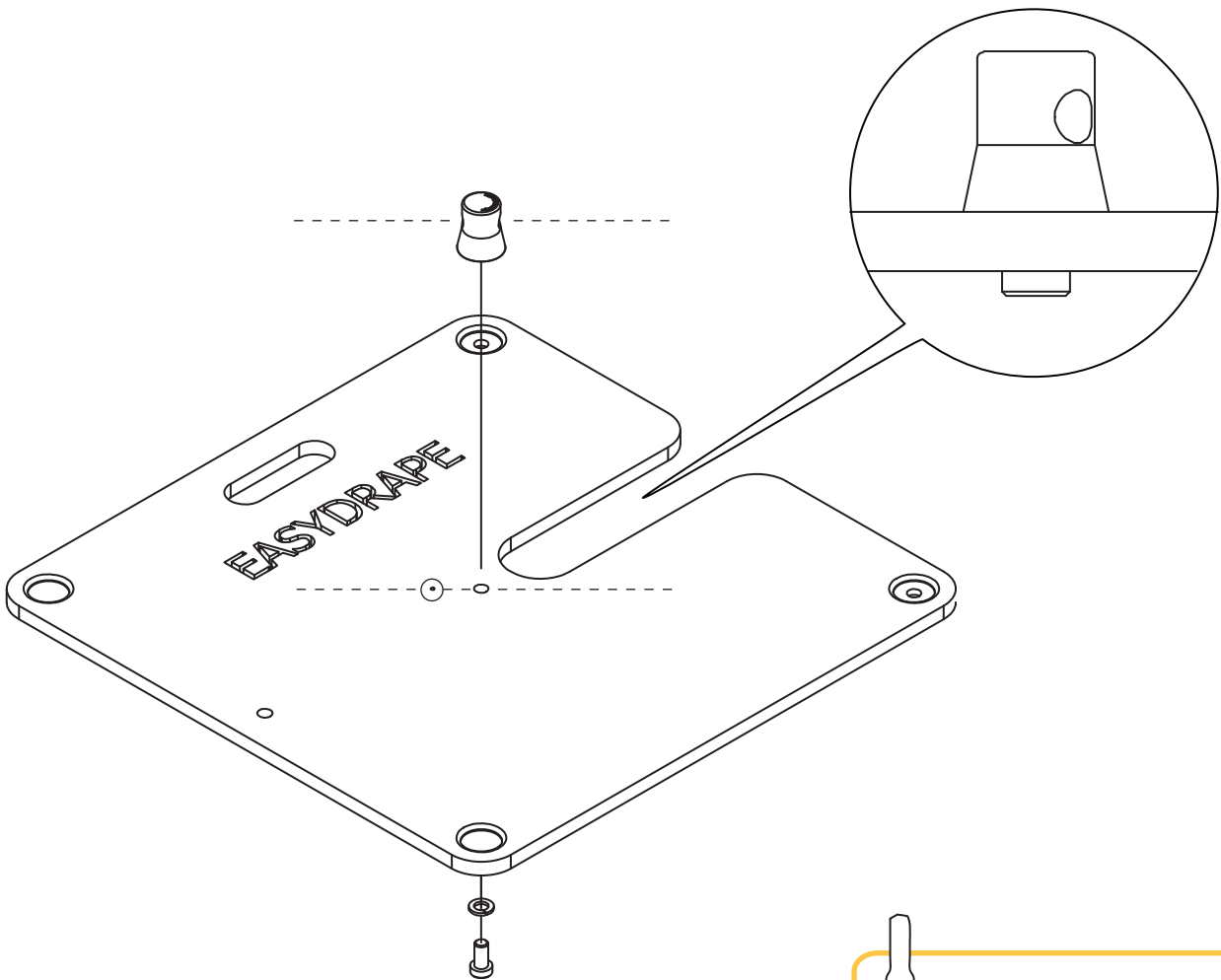
3X

# ASSEMBLY

(1)

**Attach the base plate connectors to the base plates** and position the EasyDrape base plates at the desired distance apart.

When positioning the base plate connectors in the base plates, make sure the two holes in the sides of the connector are lined up in the same direction as the small markings in the base plate.

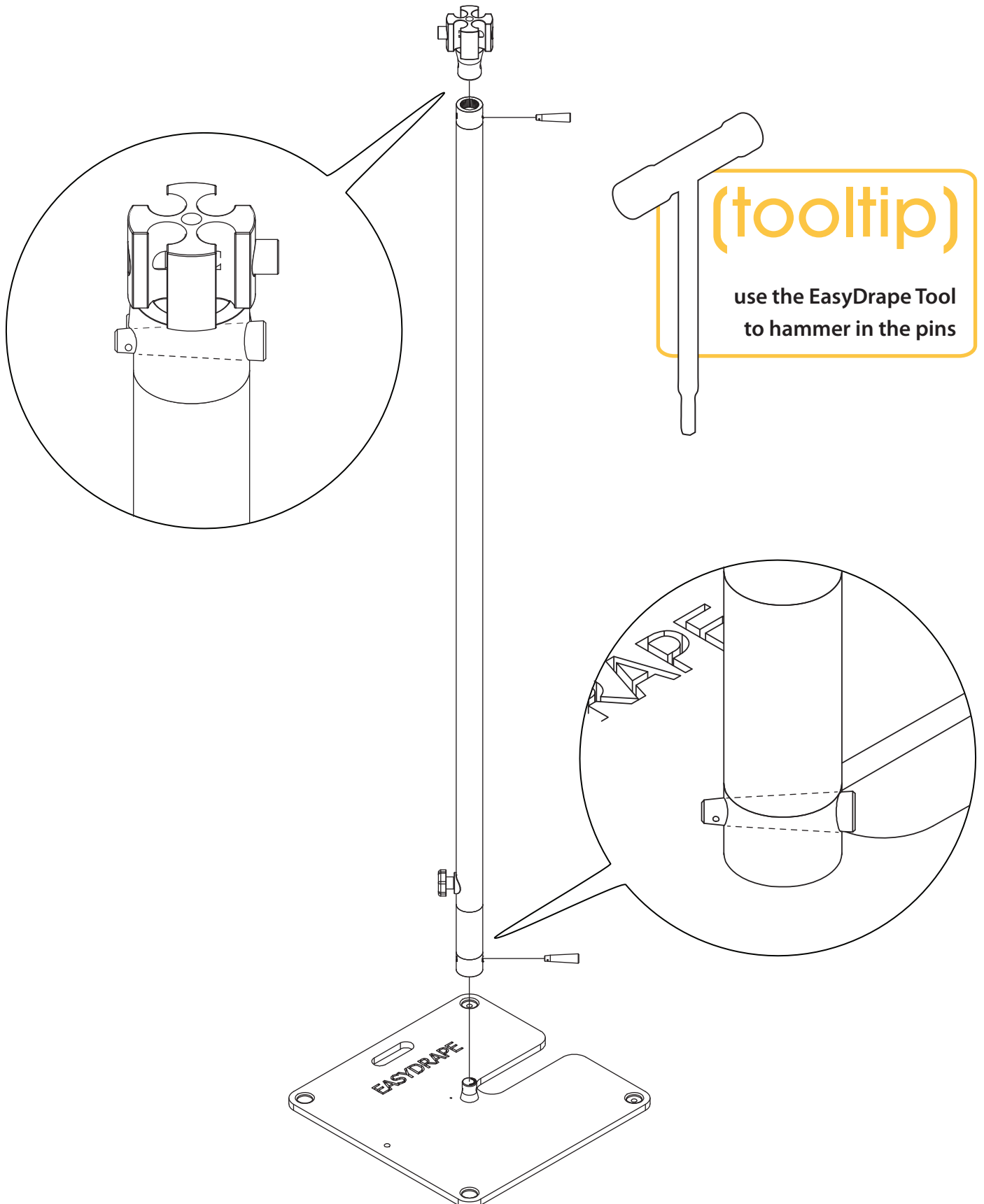


**(tool tip)**

use the EasyDrape Tool to screw the base connectors into the base plates



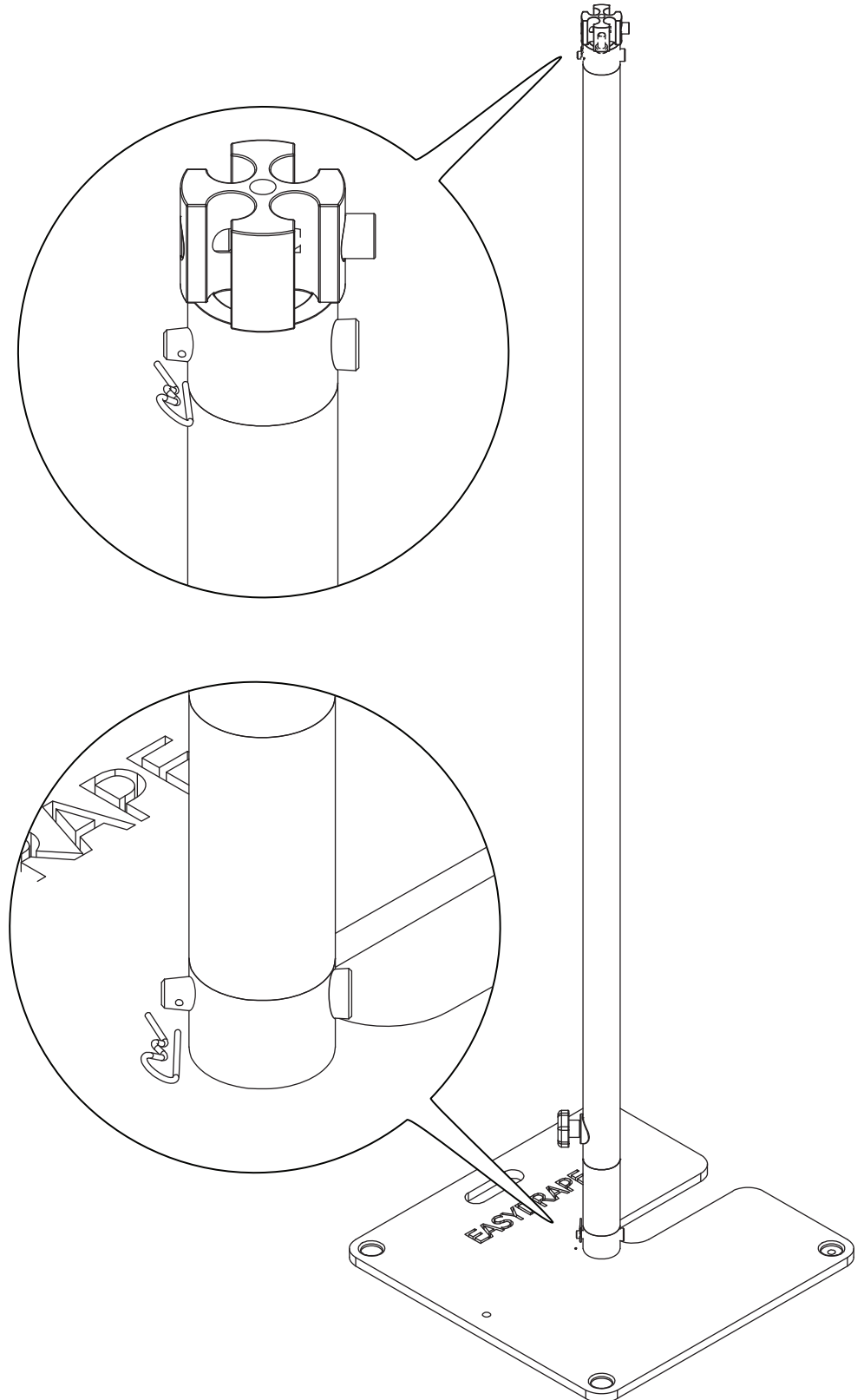
- (2)** Attach the Uprights to the plates and the four way adaptor piece to the Uprights  
Hammer the pin into the larger of the two holes in the upright.



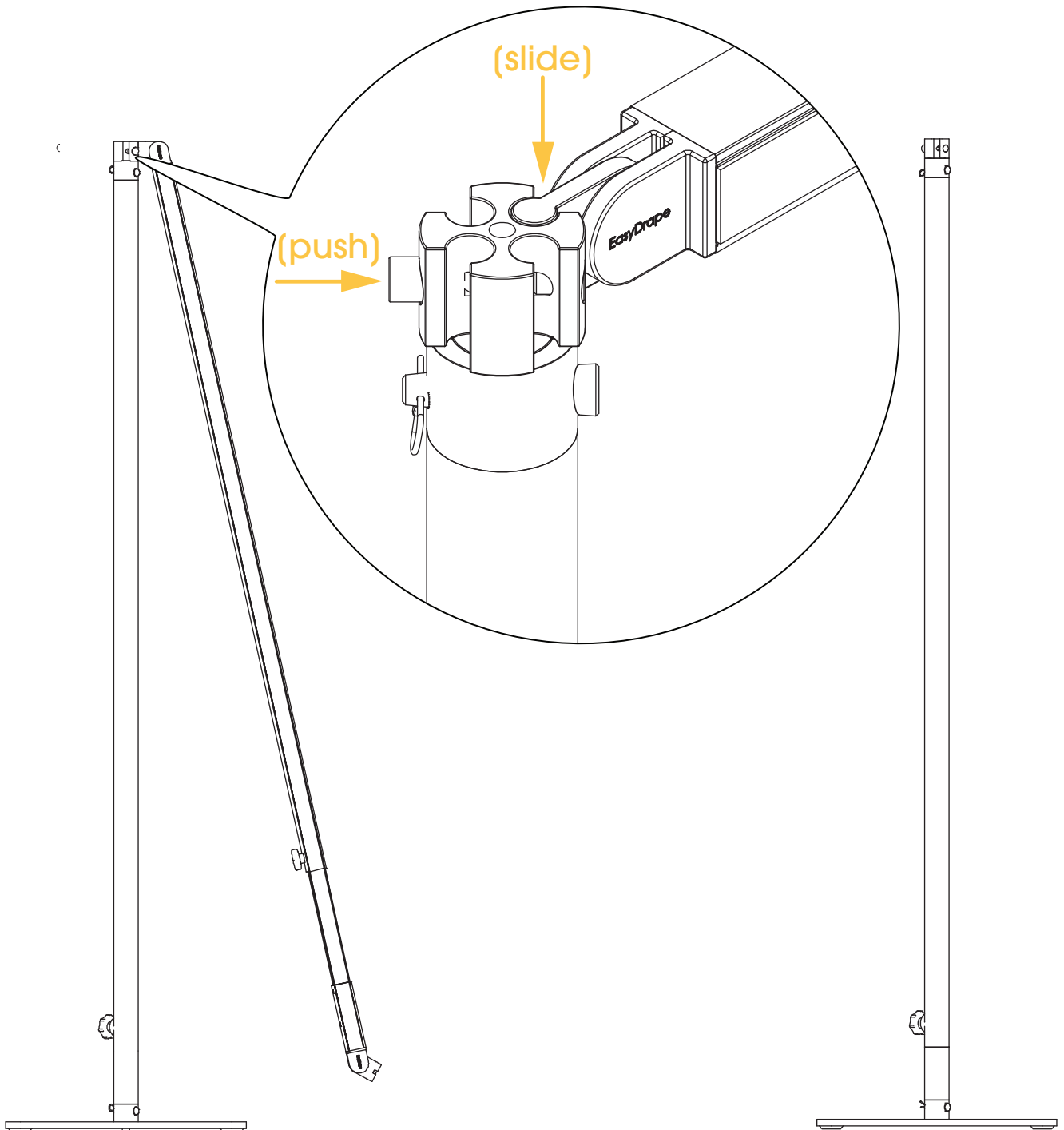
(3)

## Secure the four way adaptor pieces and the Uprights

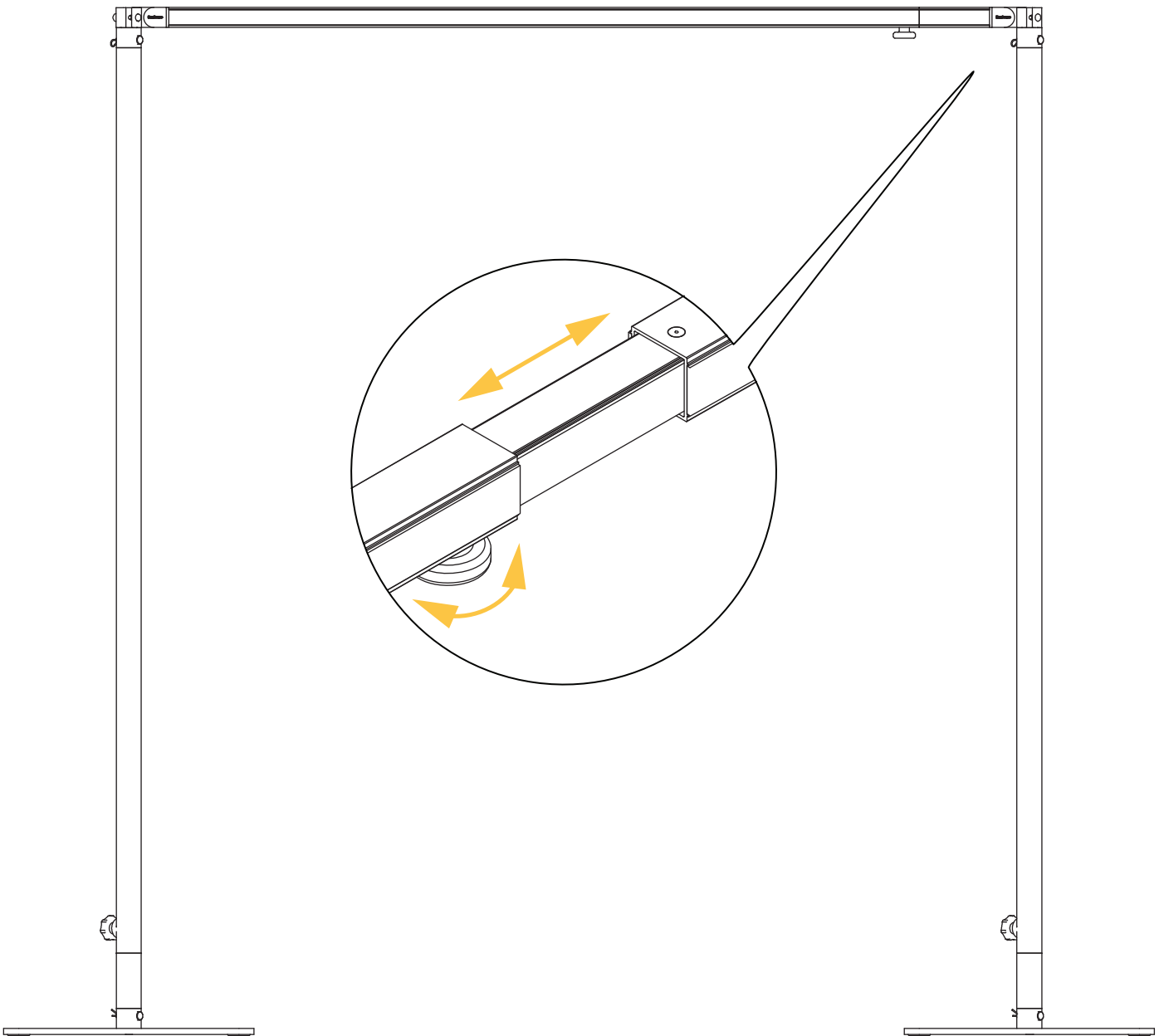
Use a safety R-spring to secure the Uprights to the plates and the base plate connectors to the Uprights.



- (4)** Attach the horizontal drape support to the four way adaptor piece of each Upright. Hinges are fitted to both ends of the horizontal drape support thus enabling the end-user to assemble one side of the EasyDrape by him/herself while the other side rests on the floor.



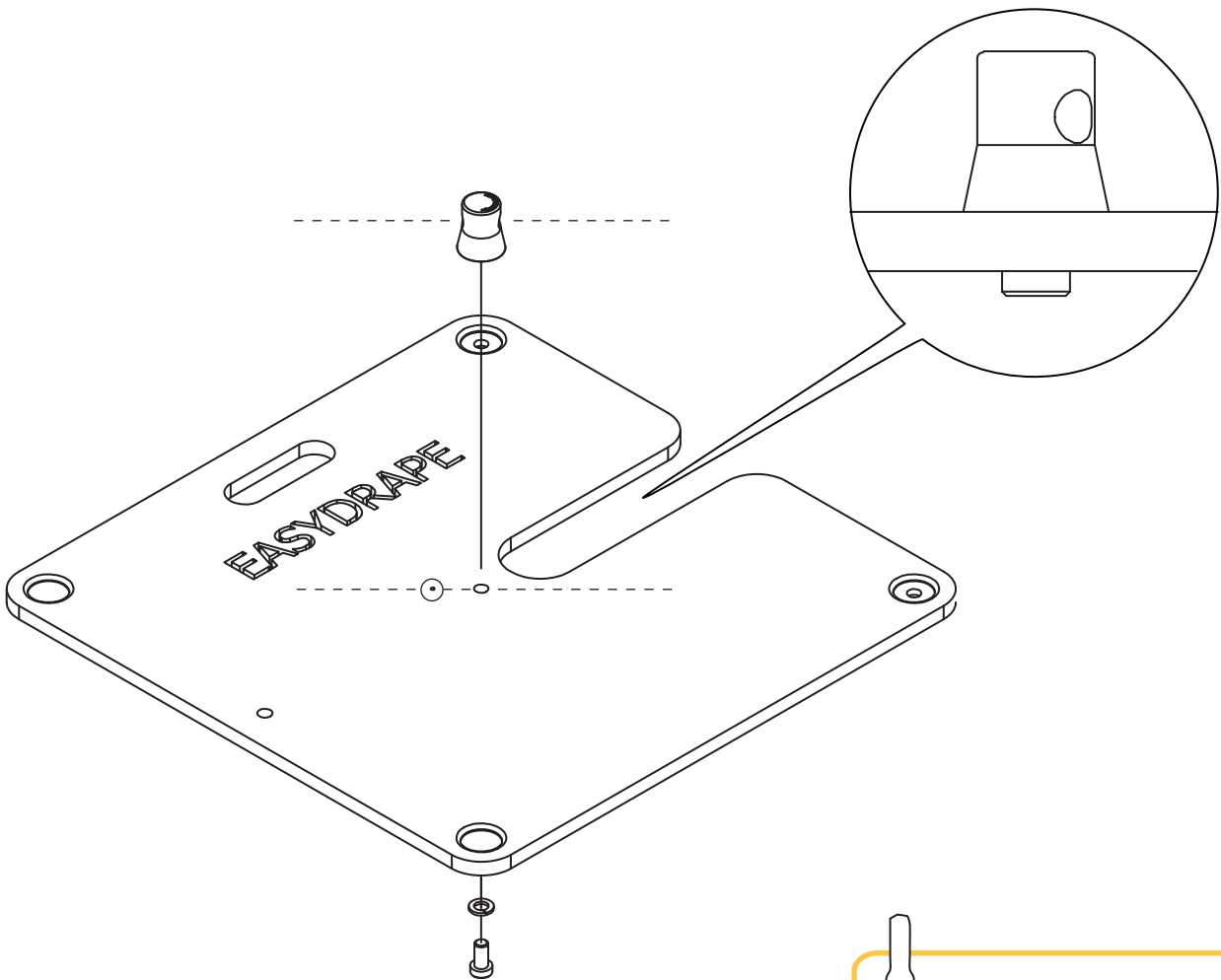
- (5)** Extend the EasyDrape assembly horizontally to the desired width  
Don't forget to loosen the screw when extending the drape support.



## (6) Place a third base plate and attach the connector to the plate

Position the third EasyDrape base plate at the desired distance for creating a corner.

When positioning the base plate connector in the base plate, make sure the two holes in the sides of the connector are lined up in the same direction as the small markings in the base plate.



**(tool tip)**

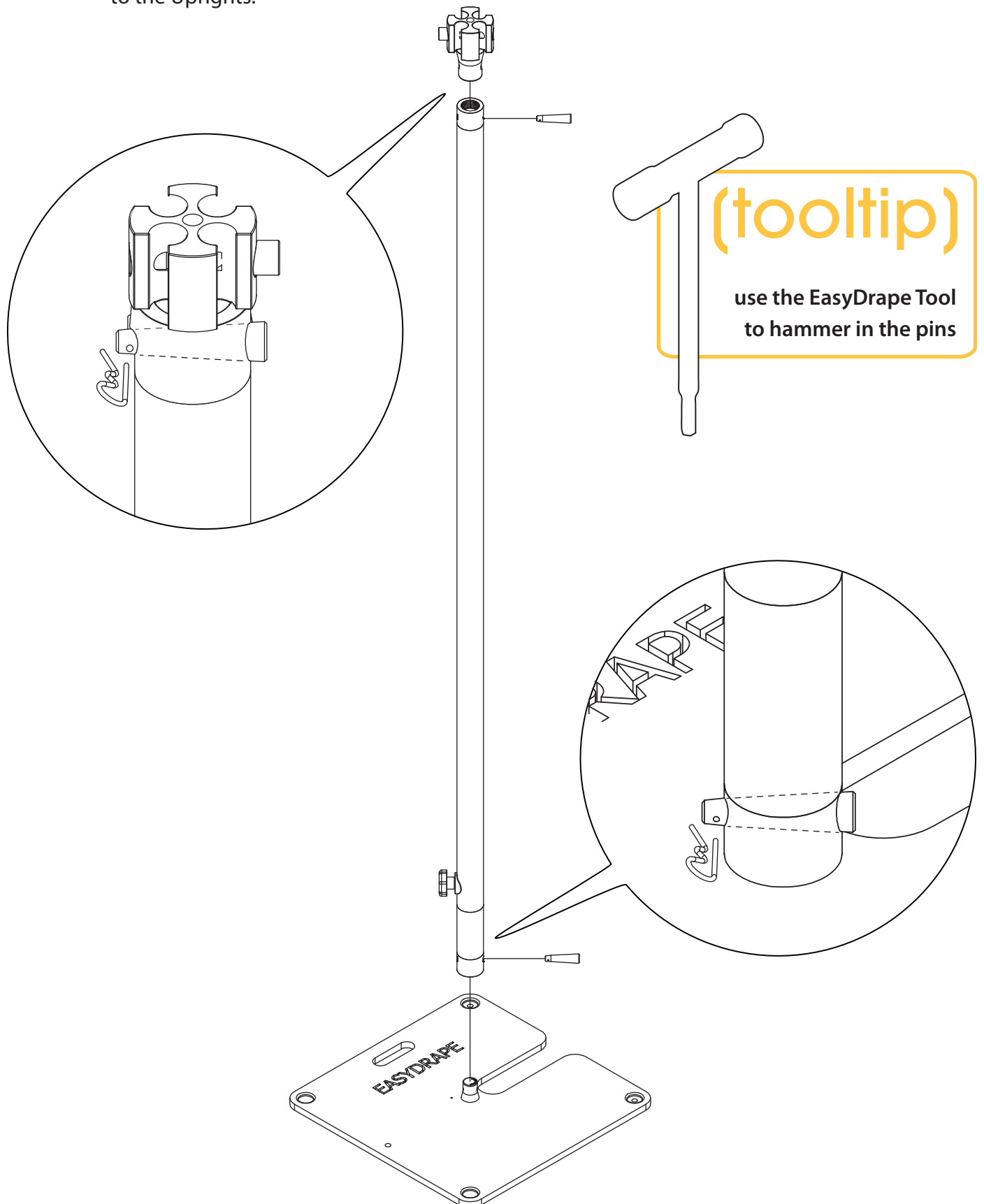
use the EasyDrape Tool to  
screw the base connectors  
into the base plates



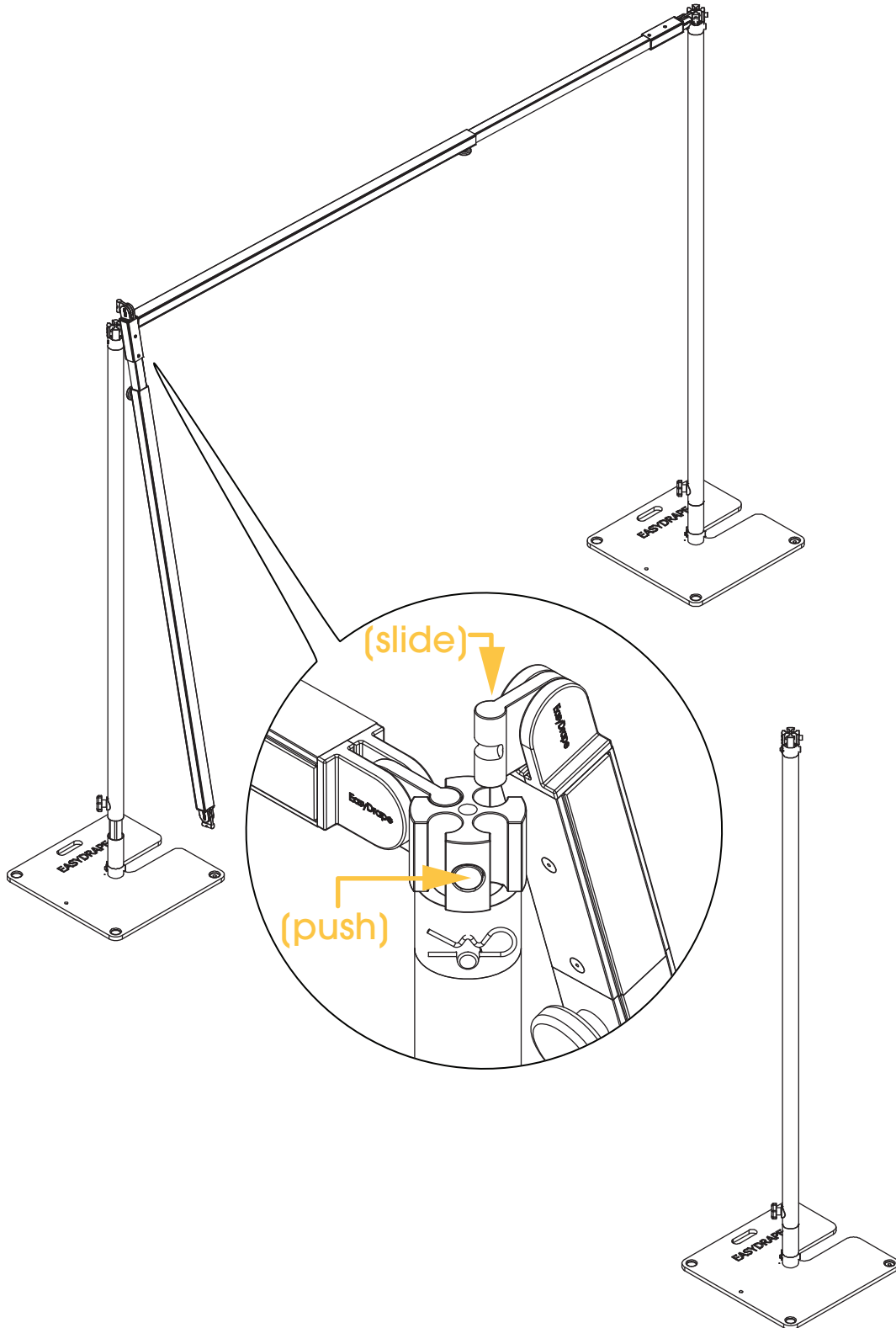


- (7)** Attach the Upright to the plate and the four way adaptor piece to the Upright  
Hammer the pin into the larger of the two holes in the upright.

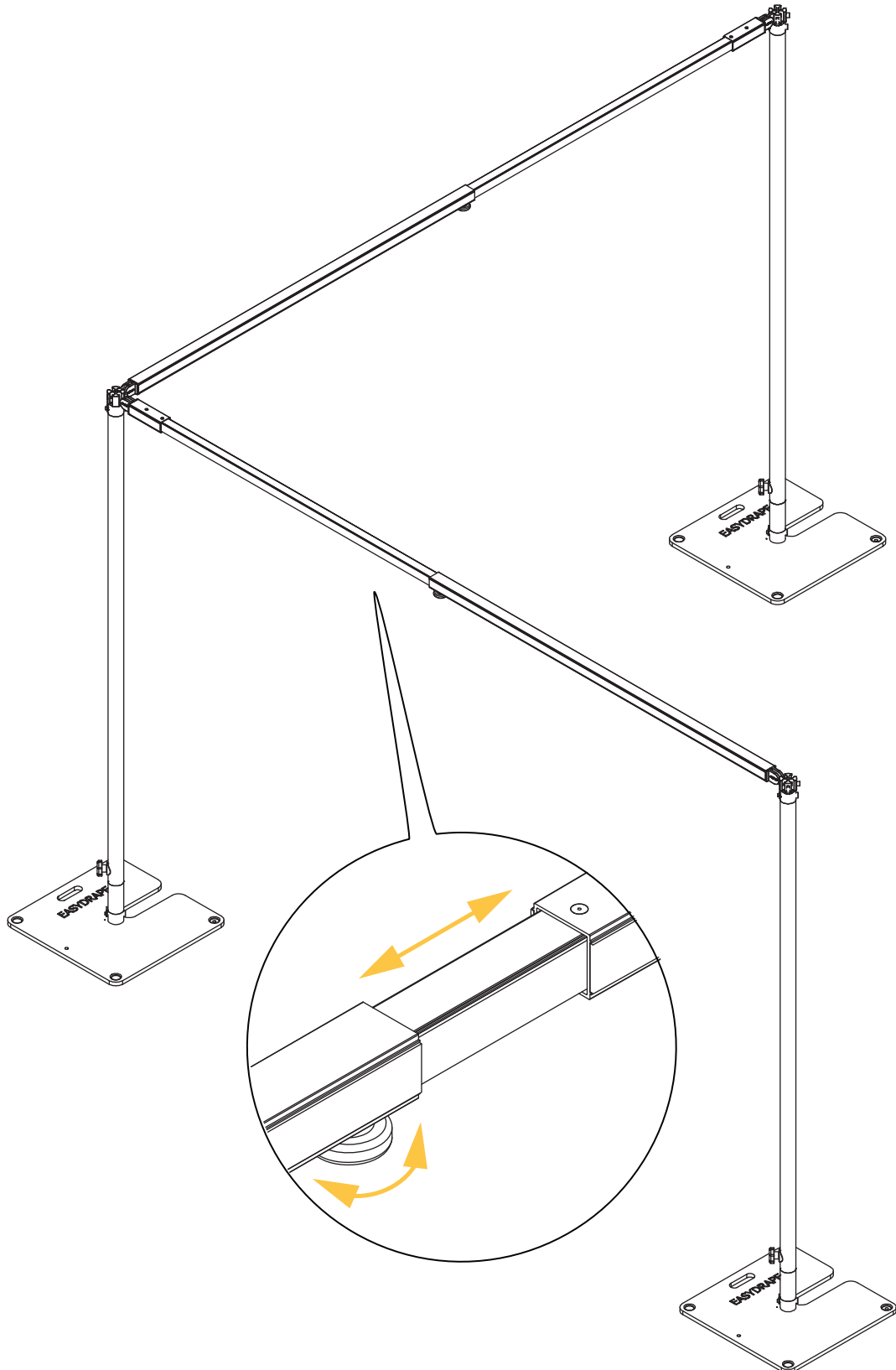
Use a safety R-spring to secure the Uprights to the plates and the base plate connectors to the Uprights.



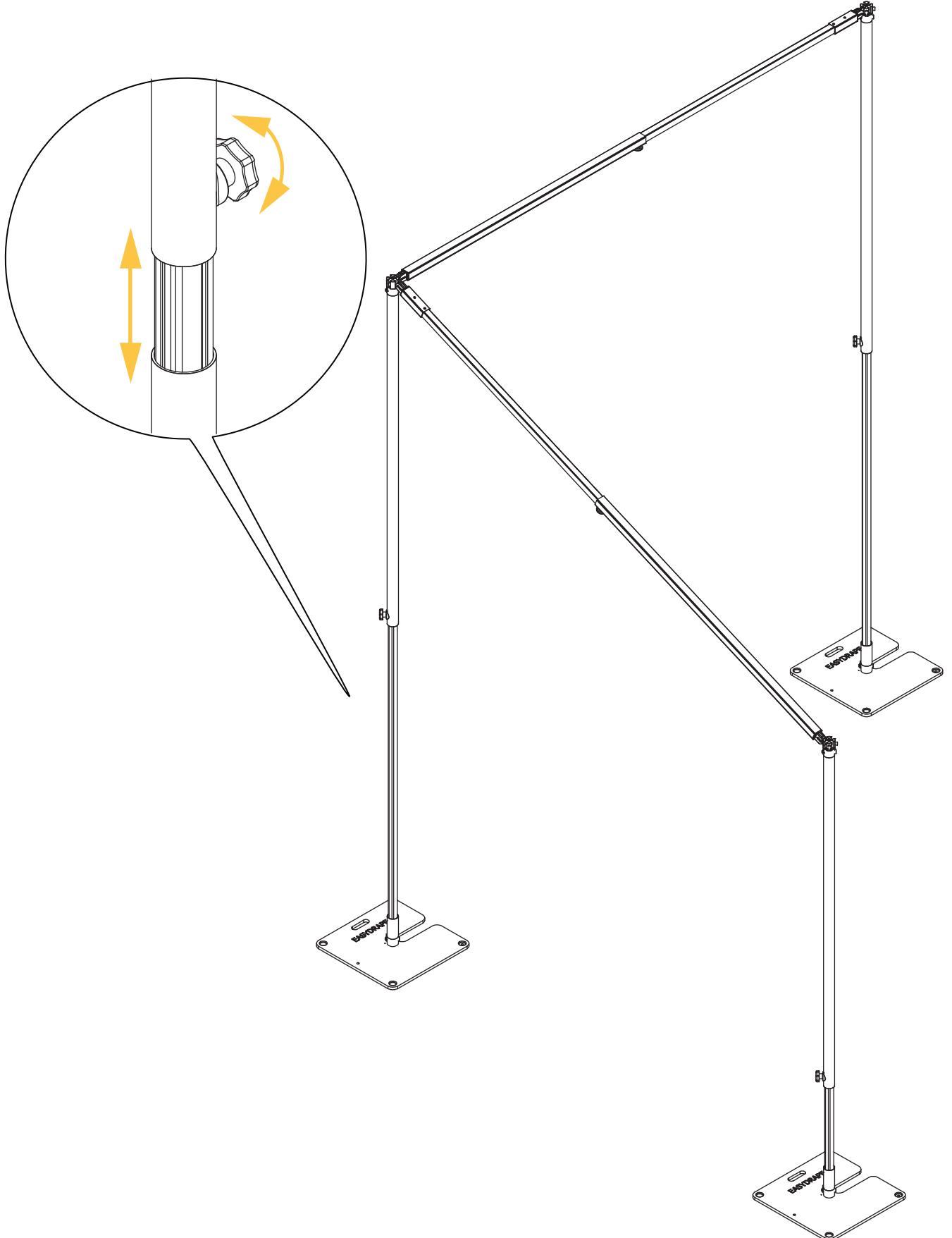
- (8)** Attach the horizontal drape support to the four way adaptor piece of each Upright. Hinges are fitted to both ends of the horizontal drape support thus enabling the end-user to assemble one side of the EasyDrape by him/herself while the other side rests on the floor.



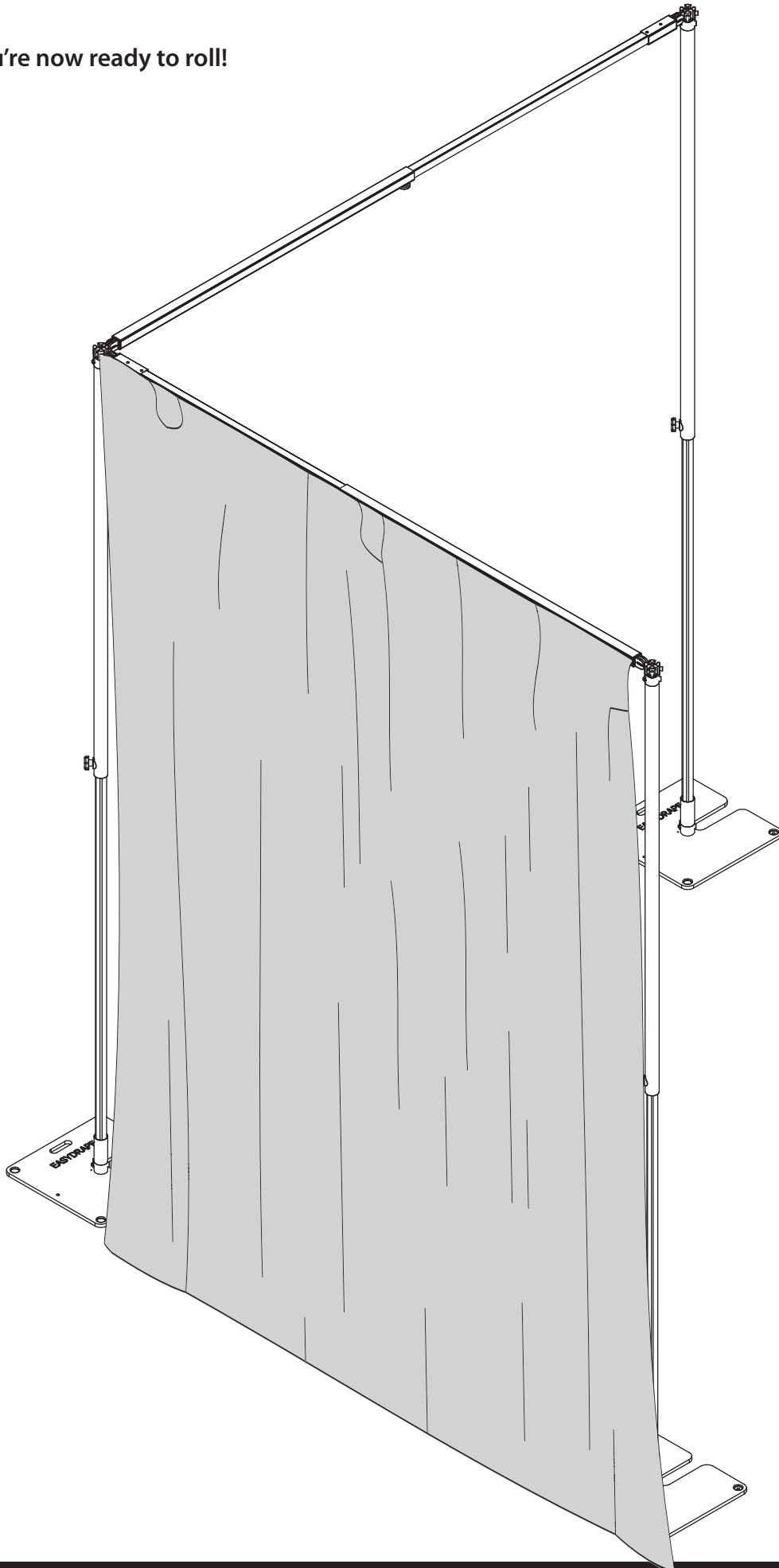
- (9)** Extend the EasyDrape assembly horizontally to the desired width  
Don't forget to loosen the screw when extending the drape support.



- (10)** Hang drapes, starcloths, or other fabrics measuring 2 to 5 metres in height on the drape supports with Velcro and Extend the assembly vertically to the desired height  
Don't forget to loosen the screw when extending the Uprights.



(11) You're now ready to roll!



# TROUBLE SHOOTING

---

- For more technical assistance please contact your local ShowTex office.

**HAVE A GREAT SHOW!**  
MORE INFO ON [WWW.SHOWTEX.COM](http://WWW.SHOWTEX.COM)