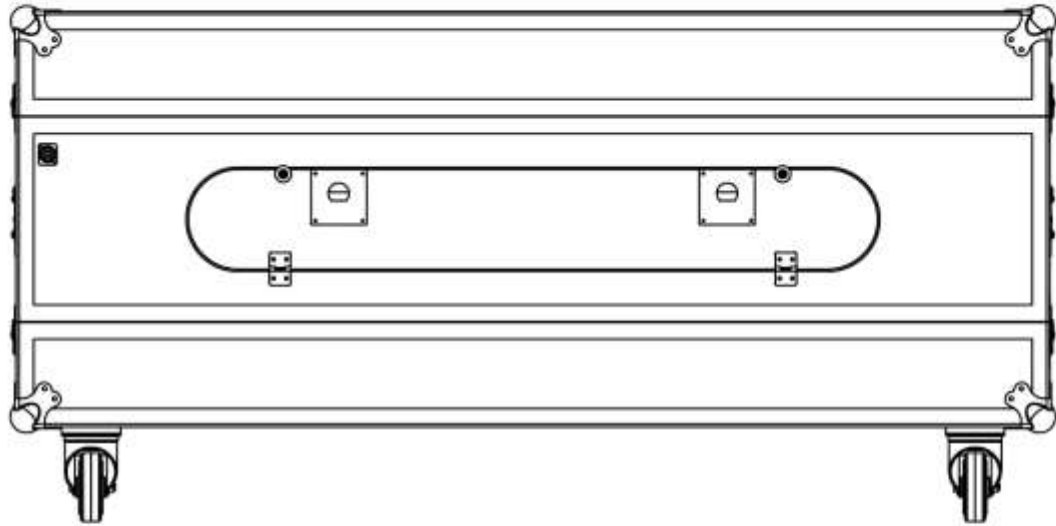


# AUTOREVEAL 600





# DISCLAIMER & COPYRIGHT

No part of this publication may be duplicated or edited in any form or by any means, including any type of electronic or mechanical method without prior written permission from ShowTex.



ShowTex NV and its employees are fully aware of their task to provide a reliable edition of this document. Nevertheless they can accept no liability for (the direct or indirect consequences of) imperfections that might remain in this edition. The material in this manual is subject to change without notice.

All products from the ShowTex Rental range are supposed to be returned in the same state as they were rented. Please treat our products with care, allowing the next user to enjoy the products as much as you did. The rented products are internally checked according to the general rental conditions. Be sure to check our rental guidelines on our website before installing and using this product:  
<http://www.showtexrental.com/showtex-rental-guidelines>.



Read and understand this user manual before installing and/or operating the automatic reveal system. Failure to follow the instructions in this document could result in serious injury!



As a result of the above warning, any ShowTex product must be installed and operated by a qualified technician who has knowledge of its capabilities as well as its limitations.

Following the guidelines of this manual will reduce the risk of damaging the equipment or injuring yourself and the people around you. Damage to the system caused by any other method of installation than the one shown in this manual can only be repaired or fixed at the customer's expense.

# CONTENTS

Disclaimer & copyright .....	3
Contents .....	3
Intro .....	4
Warranty .....	4
Product description .....	4
Safety instructions .....	4
Technical specifications .....	5
Components .....	5
Installation .....	6
How to install: setup A .....	7
Step 1: Removing the top & bottom covers .....	7
Step 2: Adjusting the height of the roller .....	7
Step 3: Connecting the cables .....	7
Step 4: How to operate .....	7
Step 5: Attaching the curtain to the roller .....	8
Step 6: Resetting the limit switches .....	8
Step 7: Setting the maximum unrolling position .....	8
Step 8: Setting the maximum roll-up position .....	8
Step 9: Placing the system .....	9
Step 10: Unrolling the curtain .....	9
Step 11: Covering the object .....	9
Step 12: Testing the system .....	9
How to install: setup B .....	10
Step 1: Removing the top cover .....	10
Step 2: Connecting the cables .....	10
Step 3: Operating the remote control .....	10
Step 4: Attaching the curtain to the roller .....	10
Step 5: Resetting the limit switches .....	11
Step 6: Setting the maximum unrolling position .....	11
Step 7: Setting the maximum roll-up position .....	11
Step 8: Replacing the top cover .....	11
Step 9: Placing the reveal system in the correct position .....	12
Step 10: Unrolling the curtain .....	12
Step 11: Covering up the object .....	12
Step 12: Testing the reveal system .....	12
Trouble shooting .....	13
Care and maintenance .....	13
Contact & support .....	13

## INTRO

---

Thank you for purchasing a ShowTex product.

Please take a moment to read this manual before installing or starting to use your new revealing system. It contains important information regarding health and safety regulations and will guide you through the installation process safely and will show you how to use the system without injuring yourself or the people around you.

## WARRANTY

---

ShowTex warrants that its mechanical/technical products, when delivered in new condition, in original packaging, sold directly and used in normal conditions, are free from any defects in manufacturing, materials and workmanship. The warranty shall only apply if the mandatory preventive maintenance actions as described in the technical documentation have been executed by skilled people. The warranty starts on the invoice date and expires after a period of 24 months.

Please read the entire warranty declaration on our website [www.showtex.com](http://www.showtex.com) before installing & using this product.

## PRODUCT DESCRIPTION

---

The Reveal 600 is perfect for big product launches, unveiling new vehicles or premiering just about anything you can cover with an unveiling curtain. This extra-large automatic revealing system is often used in combination with a Satinac curtain that measures a surface area of 200m<sup>2</sup>. With its dimensions of 17 by 12 meters, this is the ideal solution for uncovering items the size of a van or a small truck. The reveal curtain is sold separately and must be attached to the revealing system before use.



Beware! The motor unit is equipped with a thermal safety switch that stops the motor when overheated. Leave at least an interval of 30 minutes between the last rehearsal and the show to ensure proper functioning.

## SAFETY INSTRUCTIONS

---



The automatic reveal system may only be attached to lightweight fabrics. The motor has a maximum load capacity of 18 Nm. **Overloading the system can cause damage to it and endanger the system's users.**

The reveal curtain must unroll and roll up in the correct direction. The curtain must follow the path of least resistance.

Guide the curtain while unrolling it to prevent the roller from blocking. Remove any loose objects from the motor casing before activating the system.

Make sure the reveal cloth is always visible to the operator of the system. Do not allow any item to be revealed when in doubt about the safety or good working order of the system. Most accidents are the result of lack of training, carelessness and overconfidence, do not assume anything.



To prevent electrocution and interference with moving parts, disable the power supply before carrying out any work on an automated system.

The system must be installed with a corresponding earth wire of the same section as the power cable.

Beware! The motion system will continue as long as the power is on. If a problem occurs, anything in its path can cause damage to the moving curtain until the limit switches are reached or the motor unit is shut down.

A sudden unexpected start-up of the system when the power supply to the motor unit is not disabled, poses a risk to the operator.

The remote unit has a jump switch, do not make any changes to it.

# TECHNICAL SPECIFICATIONS

The following components are part of the AutoReveal 600 system.

CAUTION! The components included in your shipment will depend on the specific situation in which you want to use this system.

For more technical information please refer to the technical datasheet.

## COMPONENTS

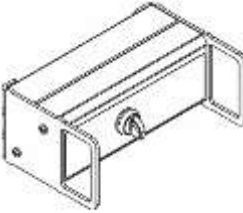
### LEGEND

/m	Weight per meter
/p	Weight per piece
/s	Weight per set



#### 1. FLIGHTCASE WITH BUILT-IN MOTOR UNIT

Art. No. 8160 7400 1057	Colour Black	Weight 52 kg/p	Dimensions 150x60x60 cm
Power Supply 230V / 50 Hz / 16 A	Output 0.435 kW	RPM 70	Torque 18 Nm
Duty Cycle S2 : 4 minutes			




#### 2. REMOTE CONTROL

Art. No. 8160 0950 0017	Colour Black	Weight 1.55 kg/p
----------------------------	-----------------	---------------------




#### 3. LINK CABLE

Art. No. 8160 0915 0257	Colour Black	Weight 3.42 kg/p	Length 25 m
----------------------------	-----------------	---------------------	----------------



#### 4. POWER CABLE

Art. No. 8150 0912 0027	Colour Black	Weight 0.44 kg/p	Length 2 m
----------------------------	-----------------	---------------------	---------------



#### 5. REVEAL CURTAIN + TRANSPORTATION BAG

Fabric Satinac	Colour Black	Weight 110g/m <sup>2</sup>	Max dimensions 17m L x 12m W
-------------------	-----------------	-------------------------------	---------------------------------

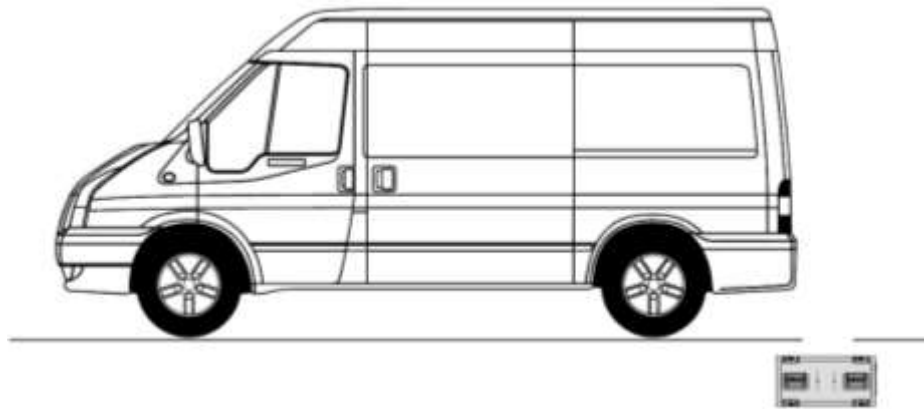
# INSTALLATION

---

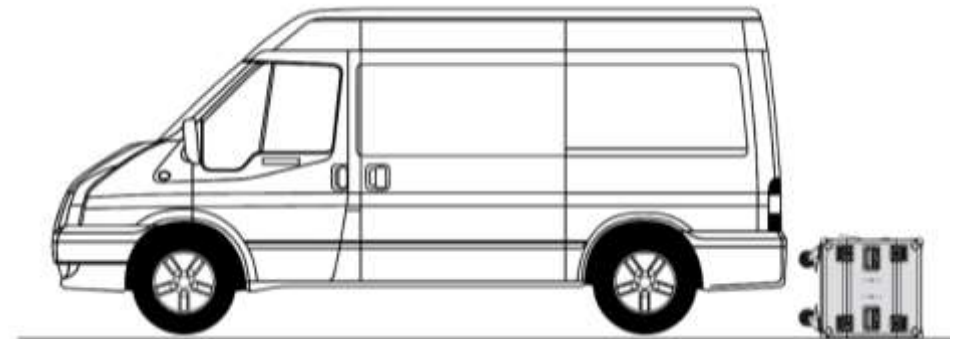
This chapter provides all required information and steps necessary for installing a Reveal 600 system.

You can choose between 2 setups to install this product. See the pictures below to define your setup.

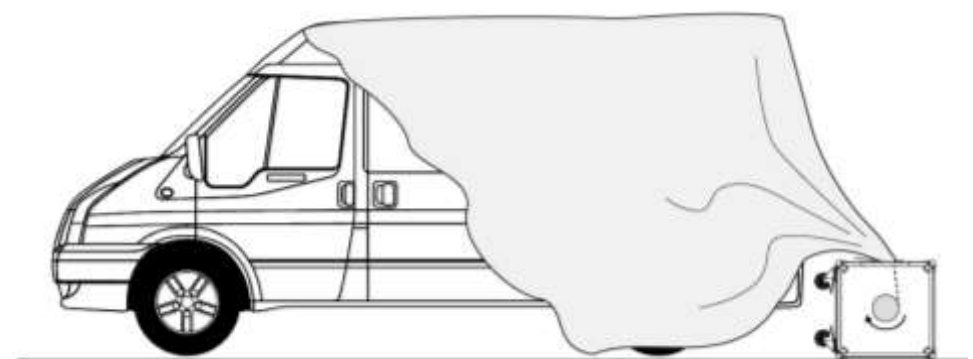
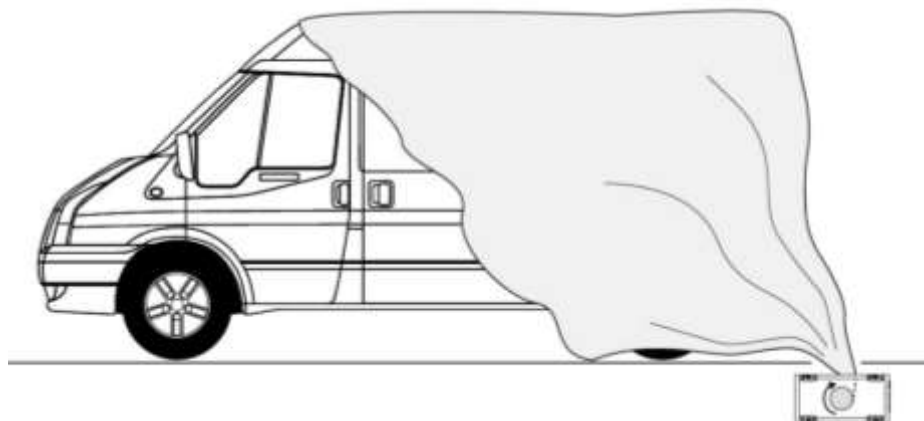
SETUP A: THE REVEAL SYSTEM IS PLACED UNDER THE OBJECT OR STAGE



SETUP B: THE REVEAL SYSTEM IS PLACED BEHIND THE OBJECT

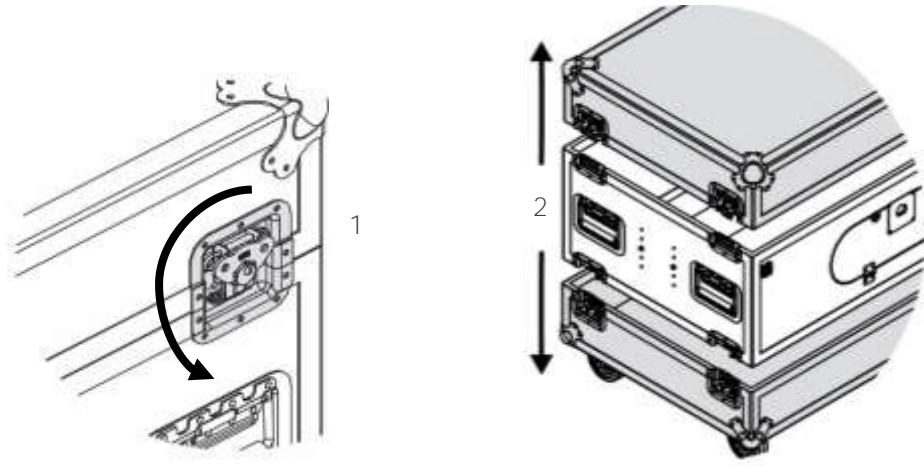


THE DIFFERENCE BETWEEN BOTH SETUPS IS THE ROLLING DIRECTION OF THE MOTOR AS SHOWN BY THE PICTURES BELOW.



## HOW TO INSTALL: SETUP A

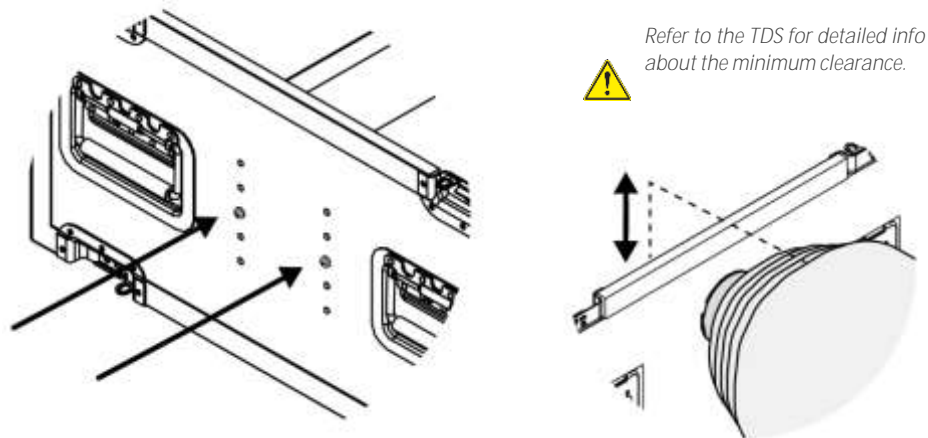
### STEP 1: REMOVING THE TOP & BOTTOM COVERS



1: Loosen the butterfly locks on both sides of the flightcase.

2: Remove the top & bottom covers.

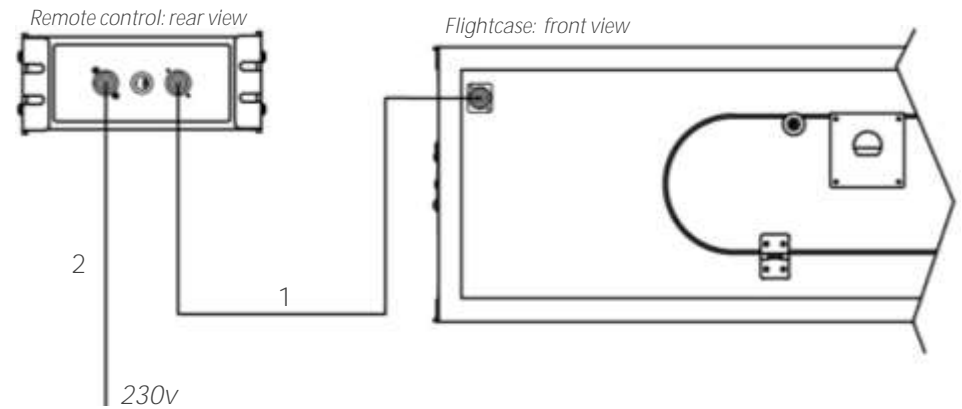
### STEP 2: ADJUSTING THE HEIGHT OF THE ROLLER



1: Loosen the bolts on both sides of the case.

2: Lift (or lower) the roller and secure the bolts on both sides of the case.

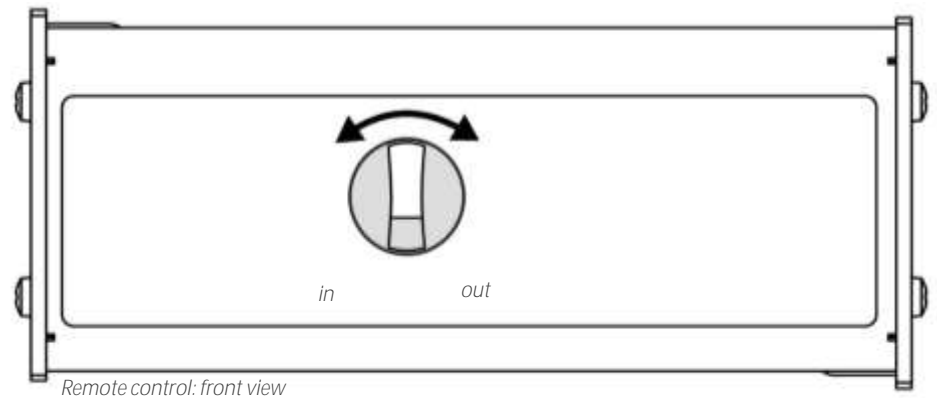
### STEP 3: CONNECTING THE CABLES



1: Connect the remote control and motor with the link cable.

2: Connect the remote control to a power supply.

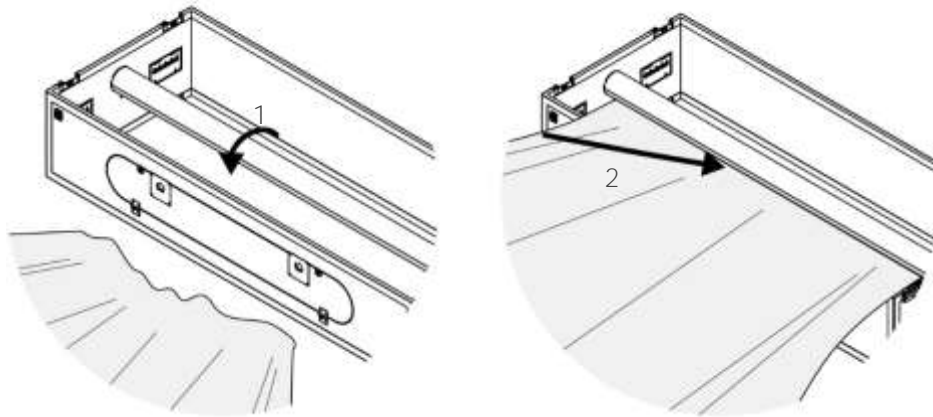
### STEP 4: HOW TO OPERATE



1: Use the remote control to test & operate your reveal system.

2: Turn anticlockwise to roll up and clockwise to unroll.

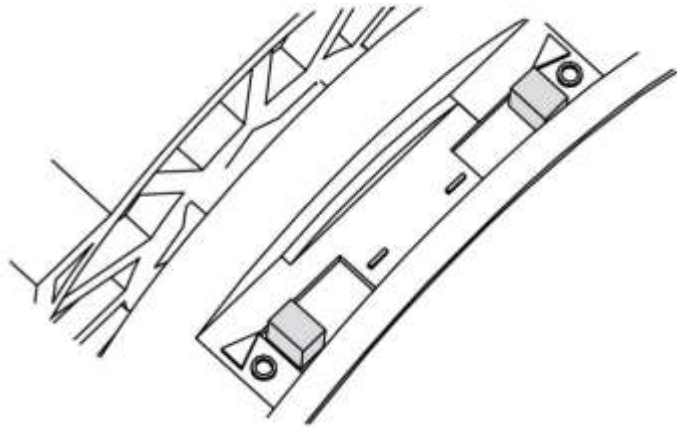
STEP 5: ATTACHING THE CURTAIN TO THE ROLLER



1: Turn the roller with hook fastener facing downwards.

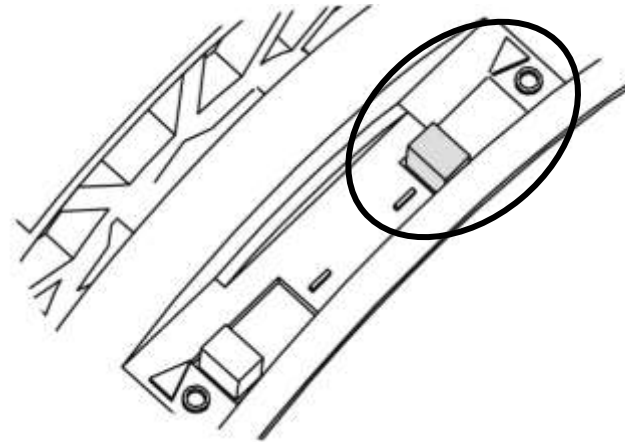
2: Attach the reveal curtain to the roller using the hook & loop fastener system.

STEP 6: RESETTNG THE LIMIT SWITCHES



1: Use the switches on the left-hand side of the motor to install the limit switches. An arrow indicates the rotating direction of the roller. Make sure both switches are set to 0.

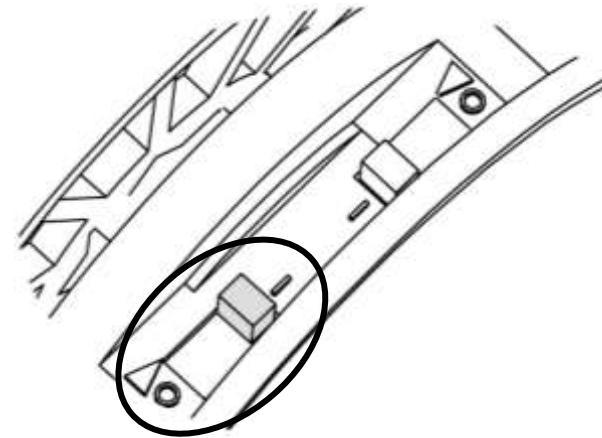
STEP 7: SETTING THE MAXIMUM UNROLLING POSITION



1: Roll up the curtain 1.5 turn by operating the remote control.

2: Unroll 0.5 turn and set the corresponding limit switch to 1.

STEP 8: SETTING THE MAXIMUM ROLL-UP POSITION

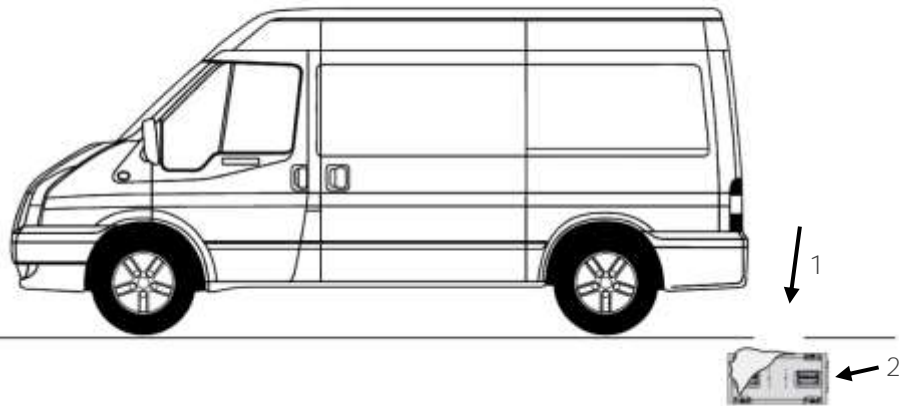


1: Roll up the curtain, whilst keeping it well tensioned and straight.

2: Keep the curtain 0.5m out of the case, set the corresponding limit switch to 1.



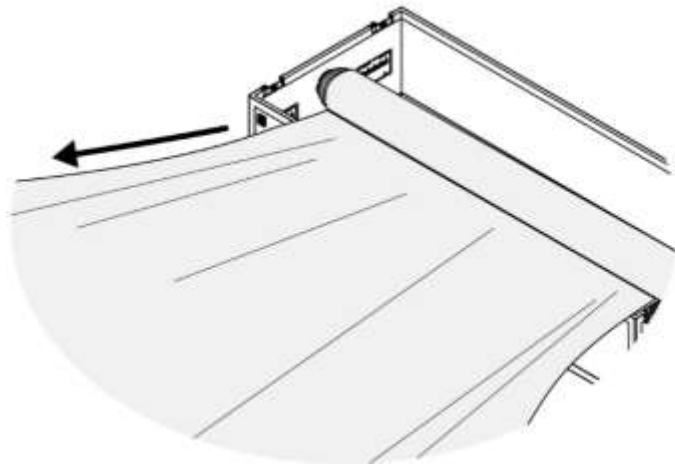
STEP 9: PLACING THE SYSTEM



1: Position the flightcase under the object or stage.

2: Opening facing sideways, away from the object.

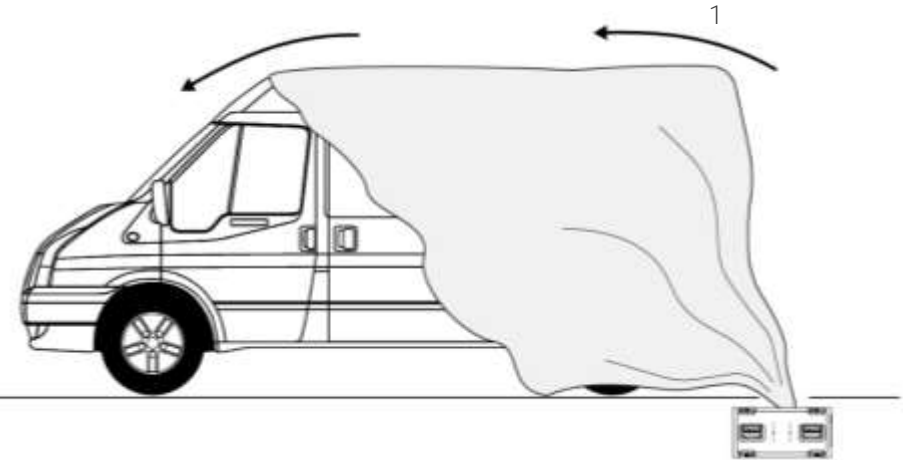
STEP 10: UNROLLING THE CURTAIN



1: Unroll the curtain using the remote control.

2: Keep the curtain straight and tightly tensioned during this movement.

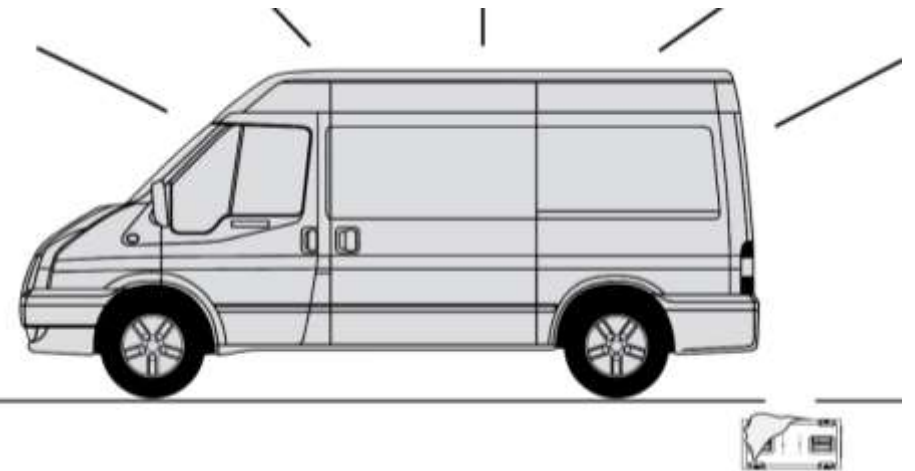
STEP 11: COVERING THE OBJECT



1: Place the revealing curtain over the object.

2: Make sure the curtain follows the path of least resistance.

STEP 12: TESTING THE SYSTEM

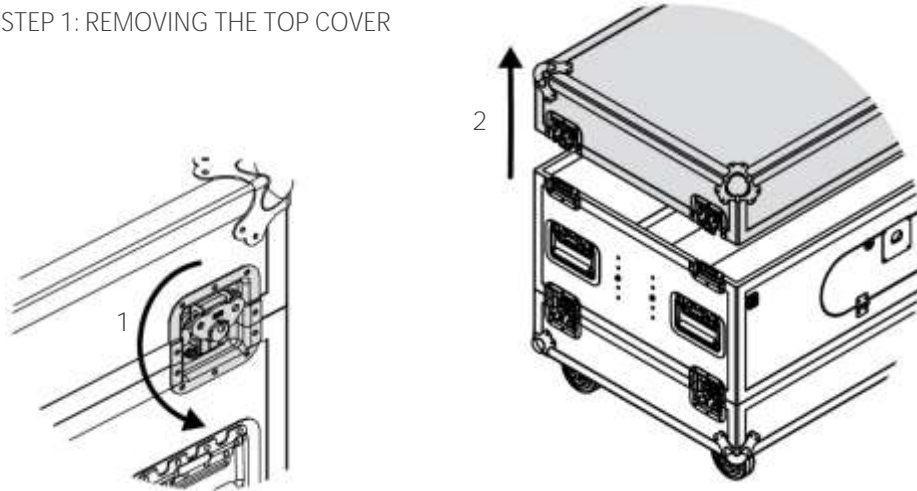


1: Use the remote control to unveil your new product!

2: Make sure you leave enough time between the last rehearsal & the show.

## HOW TO INSTALL: SETUP B

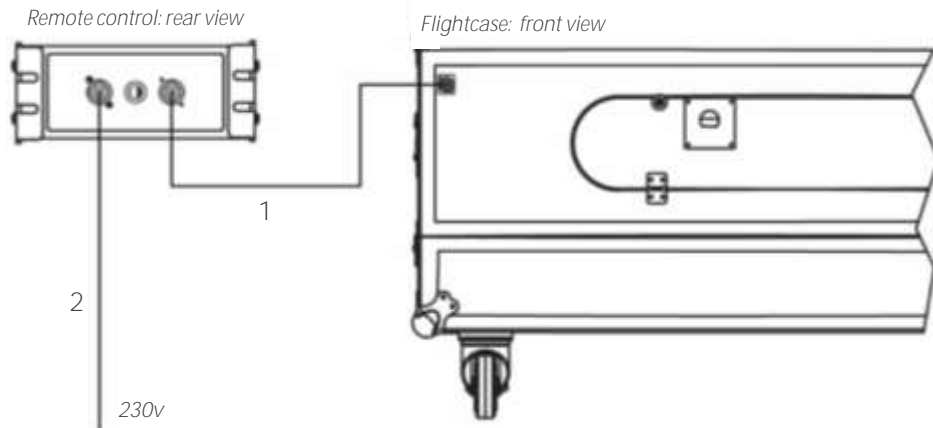
### STEP 1: REMOVING THE TOP COVER



1: Loosen the butterfly locks on both sides of the flightcase.

2: Remove the top cover.

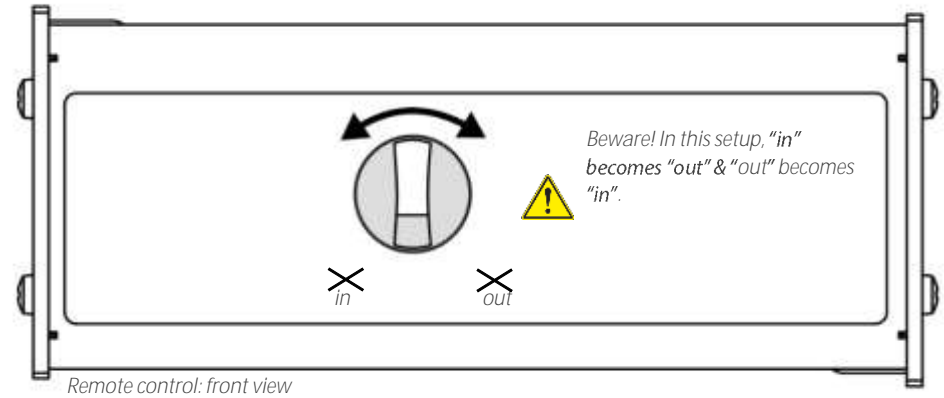
### STEP 2: CONNECTING THE CABLES



1: Connect the remote control and motor with the link cable.

2: Connect the remote control to a power supply.

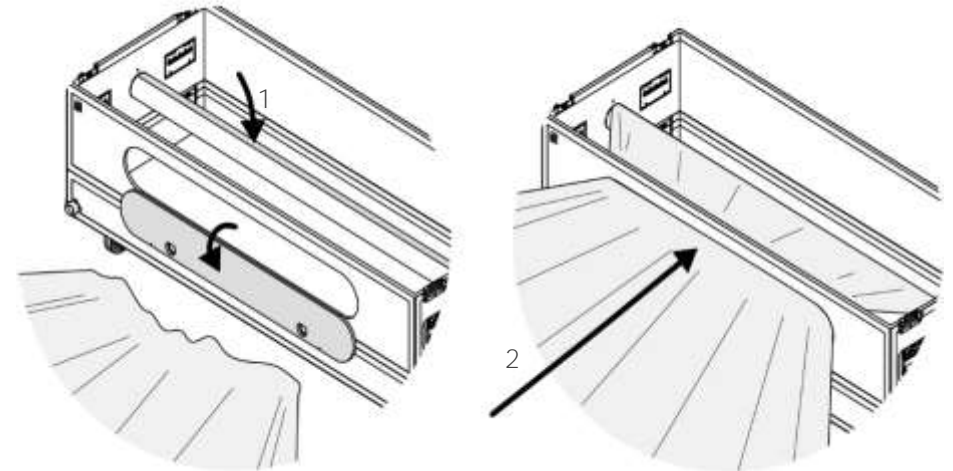
### STEP 3: OPERATING THE REMOTE CONTROL



1: Use the remote control to test & operate your reveal system.

2: Turn clockwise to roll up and anticlockwise to unroll.

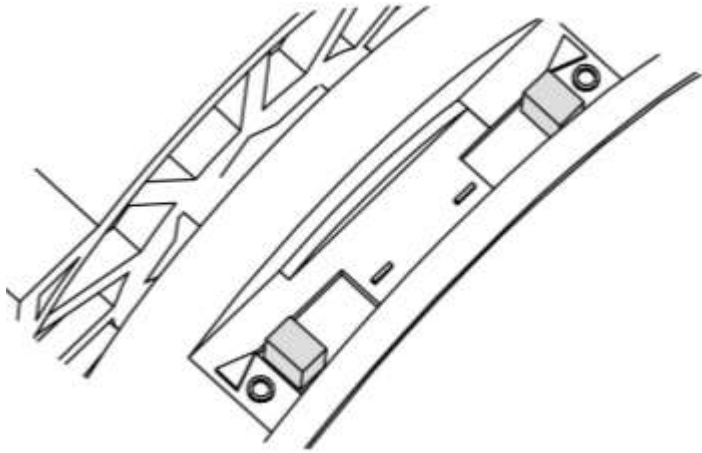
### STEP 4: ATTACHING THE CURTAIN TO THE ROLLER



1: Open the front cover and turn the roller with hook fastener facing upwards.

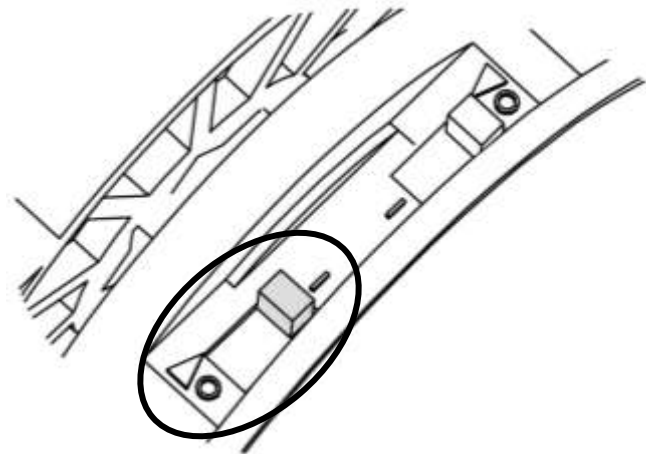
2: Attach the reveal curtain to the roller using the hook & loop fastener system.

STEP 5: RESETTING THE LIMIT SWITCHES



1: Use the switches on the left-hand side of the motor to install the limit switches. An arrow indicates the rotating direction of the roller. Make sure both switches are set to 0.

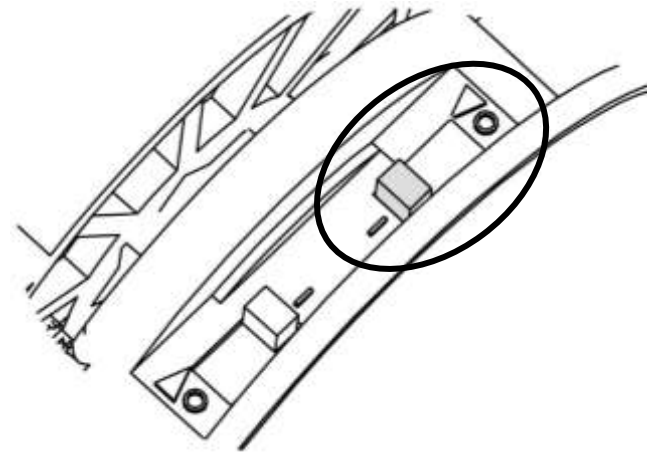
STEP 6: SETTING THE MAXIMUM UNROLLING POSITION



1: Roll up the curtain 1.5 turn by operating the remote control.

2: Unroll the curtain 0.5 turn and set the corresponding limit switch to 1.

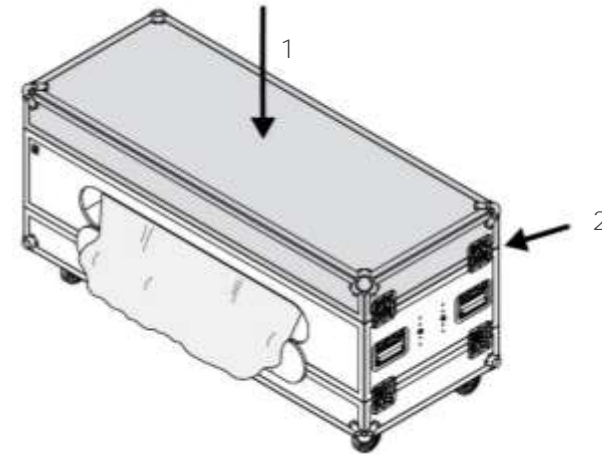
STEP 7: SETTING THE MAXIMUM ROLL-UP POSITION



1: Roll up the curtain whilst keeping it straight and tightly tensioned.

2: Keep the curtain 0.5m out of the case, set the corresponding limit switch to 1.

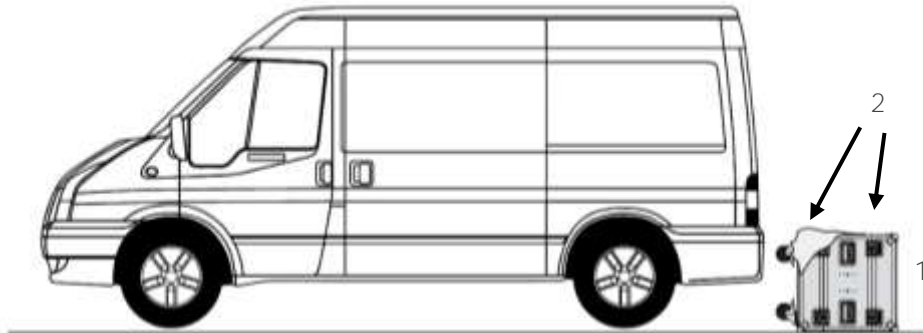
STEP 8: REPLACING THE TOP COVER



1: Place the top cover back on the flightcase.

2: Fasten the butterfly locks to secure.

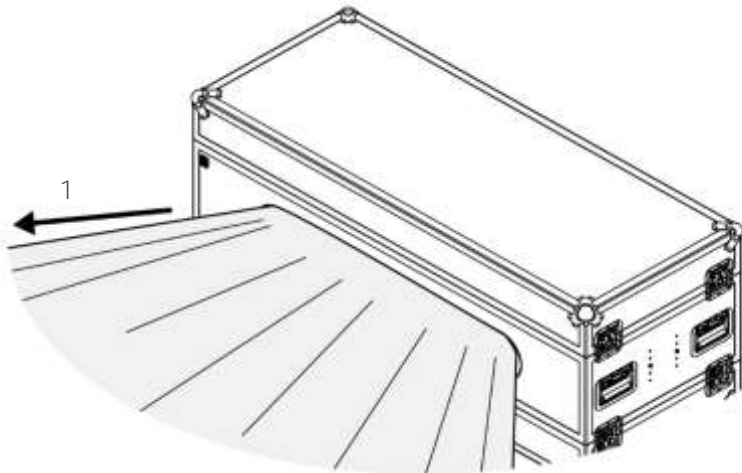
STEP 9: PLACING THE REVEAL SYSTEM IN THE CORRECT POSITION



1: Position the flightcase behind the object to be revealed.

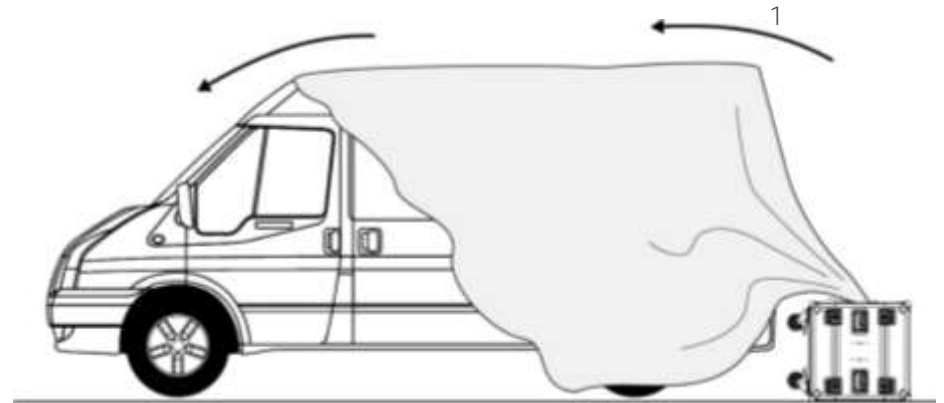
2: The opening facing upwards and the wheels facing towards the object.

STEP 10: UNROLLING THE CURTAIN



1: Unroll the curtain whilst keeping it straight and tightly tensioned .

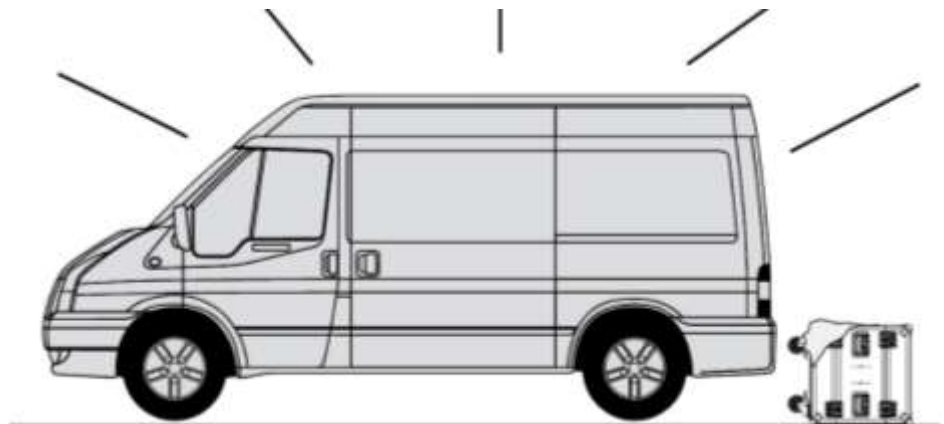
STEP 11: COVERING UP THE OBJECT



1: Place the revealing curtain over the object.

2: Make sure the curtain follows the path of least resistance.

STEP 12: TESTING THE REVEAL SYSTEM



1: Use the remote control to test your reveal system.

2: Make sure you leave enough time between the last rehearsal & the show.

## TROUBLE SHOOTING

---

Please perform the following steps if:

### THE REVEAL 600 IS NOT WORKING SMOOTHLY

1. Make sure the system is correctly connected to the power supply.
2. Check that all cables are connected to the correct outlets.
3. Check that the outlets or cables are not damaged.
4. Make sure the rolling direction of the motor is correct.
5. Check whether the limit switches are set correctly.
6. **Make sure there aren't any obstacles blocking the curtain.**

### THE REVEAL CURTAIN DOES NOT ROLL UP CORRECTLY

1. If the curtain does not roll up entirely, reset the limit switches as shown on page 7 or 10 depending on your setup.
2. Check whether the curtain is blocked inside the flightcase. If so, unravel the fabric, check the end positions of the limit switches and reset if necessary.
3. When using setup B, check that the jump switch of the remote control is turned in the correct direction.

### THE MOTOR DOES NOT TURN IN BOTH DIRECTIONS

1. If used too frequently, the engine will overheat. This is protected by a thermal contact that will shut down the motor. Allow engine to cool (at least 30min) and try again.

## CARE AND MAINTENANCE

---



Periodic, regularly scheduled maintenance inspections are necessary for any mechanical system. An automatic reveal system is no different. It has components that must be inspected, adjusted, maintained and replaced. In order to keep your system safe and in good working order, a regular inspection and maintenance program must be implemented.

Above-average use or operating the curtain track at locations subject to high humidity, dust, extreme temperature changes, etc. may require shorter intervals than indicated in the scheduled programme outlined above.

The best way to maintain your product is by using it regularly. This will keep the grease properly distributed and allows the inspector to regularly check for unusual noise or drag in the system.

Disassembly must be carried out under the same conditions and following the same steps as the assembly procedure.

## CONTACT & SUPPORT

---

For more technical assistance, please contact your local ShowTex branch, the address and contact information can be found on our website: [www.showtex.com](http://www.showtex.com)

Have a great show!