

WIDESCREEN 600

TECHNICAL DATA SHEET

July 2021

Motorised, roll-up projection screens with front or rear projection foil. Between 4 and 9 m wide.



- Motorised roll-up projection screen available in:
Standard size (from 4 - 6 m wide)
Extra-wide size (from 7 - 9 m wide)
- Ideal for conference rooms, congress rooms, concert halls or large screen applications in stage or auditorium settings.
- All types of screen material are suitable.
- A possibility of black borders around the screen.
- A reliable system with a high-quality large projection screen in a compact storage case.
- Integrated tubular 230 V motor is equipped with two precision end stops for a precise adjustment of the high and low ballasting positions.
- The aluminium casing is standard in white or black.
- For ceiling and wall suspension.
- Raising speed : ± 11 cm/second.
- 3-positions wall switch or RF remote control radio operated in option.

» VIEWING AREA STANDARD SCREEN

Standard viewing area 4:3	Standard viewing area 16:9
3.00 m H x 4.00 m W	2.25 m H x 4.00 m W
3.75 m H x 5.00 m W	2.81 m H x 5.00 m W
4.50 m H x 6.00 m W	3.37 m H x 6.00 m W

» VIEWING AREA EXTRA-WIDE SCREEN

Standard viewing area 4:3	Standard viewing area 16:9
5.25 m H x 7.00 m W	3.94 m H x 7.00 m W
6.00 m H x 8.00 m W	4.50 m H x 8.00 m W
6.75 m H x 9.00 m W	5.06 m H x 9.00 m W

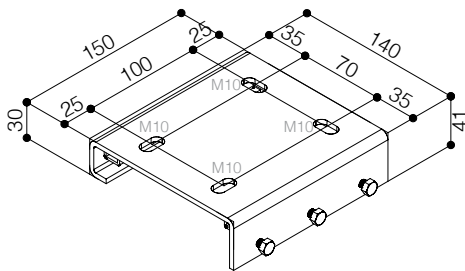
WIDESCREEEN 600

TECHNICAL DATA SHEET

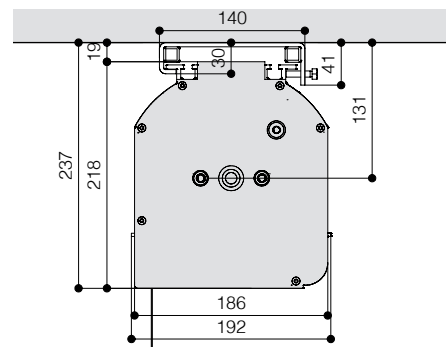
July 2021

» FIXATIONS STANDARD SCREEN

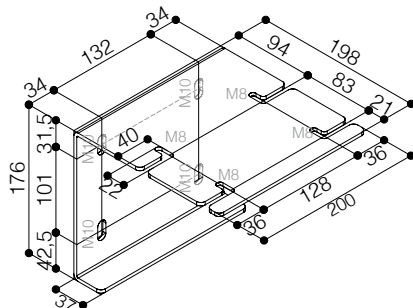
CEILING MOUNTING BRACKET



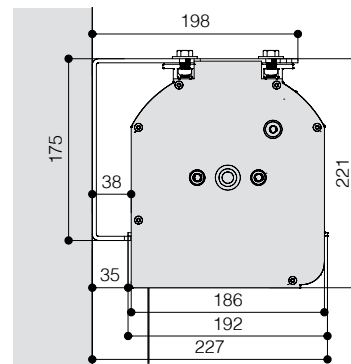
CEILING MOUNTING



WALL MOUNTING BRACKET



WALL MOUNTING



» FIXATIONS EXTRA-WIDE SCREEN

WALL & CEILING MOUNTING

