

ShowTex
ALL IMAGES AND CONTENT OF THIS DOCUMENT ARE PROPERTY OF SHOWTEX

PRINT FRAME PROFILES

INTRODUCTION	3
SAFETY INSTRUCTIONS	3
COMPONENTS	4
ASSEMBLY SINGLE FRAME PROFILES	6
1 SLIDE A CORNER CONNECTOR SET INTO TWO SINGLE FRAME PROFILES TO CREATE A CORNER	6
2 ALIGN THE CORNERS AND SECURE THE CORNER CONNECTORS	6
3 ASSEMBLE THE FRAME AND TENSION THE ADJUSTING SCREWS HAND TIGHT	6
4 SECURE THE PRINT INTO THE FRAME WITH THE PLASTIC KEDER	7
5 WORK YOUR WAY TO EVERY CORNER	7
6 MOUNT TO A WALL	7
PREPARATION ASSEMBLY DOUBLE FRAME PROFILES	8
1 HANGING OR STANDING?	8
2 MULTIPLE FRAMES?	8
3 CONNECTING?	8
4 BIG FRAMES?	8
ASSEMBLY DOUBLE FRAME PROFILES	9
1 ASSEMBLE THE FRAME (SEE STEPS 1-5 ON PAGE 6-7)	9
HANGING	9
STANDING	11
CORNER JOINING	11
BIG FRAMES	12
FRAME IN FRAME	13
ASSEMBLY CUBE FRAME PROFILES	14
1 SLIDE THE CUBE CORNER CONNECTORS INTO THE CUBE FRAME PROFILES AND CONNECT THE PROFILES	14
2 CREATE THE BASE AND THE TOP BY CONNECTING 4 PROFILES	14
3 SLIDE THE PROFILES INTO THE CUBE CORNER CONNECTORS OF THE BASE FRAME AND ATTACH THE TOP	14
4 MAKE SURE THE CORNERS ARE PERFECTLY ALIGNED BEFORE SECURING THE PRINT INTO THE FRAME	15
5 SECURE THE PRINT INTO THE FRAME WITH THE PLASTIC KEDER	15
6 HANGING / SECURE THE CORNERS WITH SELF TAPPING SCREWS FOR A PERMANENT INSTALLATION	15
TROUBLE SHOOTING	16

INTRODUCTION

Add acoustic characteristics to your prints to optimize sound quality in the space with a decorative feature.

Single Frame

A wall mounted frame for decoration purposes and advertising (fixed installation). This lightweight aluminum frame is easy to assemble and can be used to improve room acoustics.

Double Frame

Can be wall mounted for decoration purposes and advertising (fixed installation) or free standing / hanging for exhibition stands and room dividers. The two sides of the double frame can be either a print or a fabric. (examples: ...)

Cube Frame

Use Cube Frames for directional signage, as a free standing platform, or a decorative feature by hanging them. Light the Cubes from the inside to create an eye catching light box!

Curved and Custom Frame

We make custom frames to your design for exhibition stands, wall designs, room dividers and decoration. Use Curved Frames to create unique chandeliers, overhead lighting and signage.

Superior finish - Single or double profile - Made to measure

Accessories: corners - joiners - floor stands

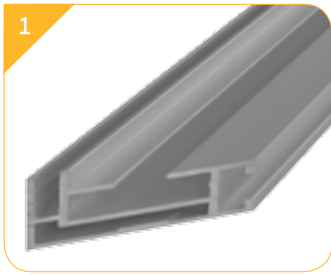
- The Print Frame Profiles are easy to assemble, re-usable and infinitely extendable.
- Clean design and finish.
- Ideal for prints and lightboxes.
- Use as a room divider, also corners.



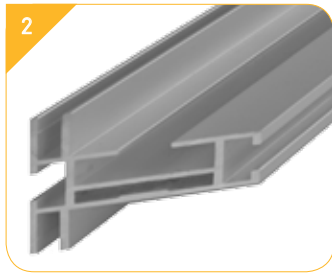
SAFETY INSTRUCTIONS

- Read this user manual carefully.
- Hanging a big frame above an audience must be extra secured. Both in the construction of the frame as well as the suspension accessories.
- Always use proper and certified rigging.

COMPONENTS



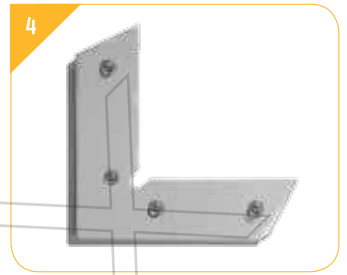
Single Frame Profile



Double Frame Profile



Cube Frame Profile



Corner Connector Set



Brace Profile



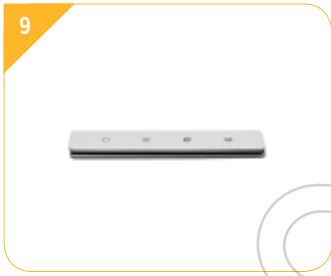
Brace Lock



Cube Corner Connector



T-section Connector



Joiner Set



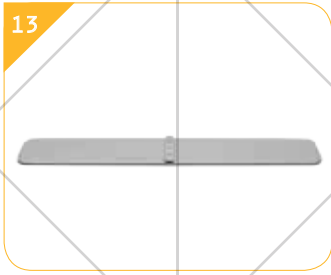
Frame Corner Connector Set HD



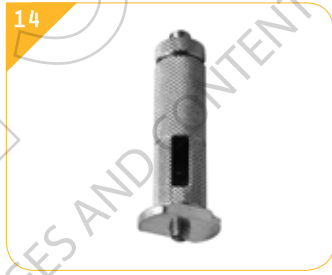
Frame Joiner Set HD



Reinforced Corner



Stand



Cable Glider



Cable



Cube Frame Suspension



Foam



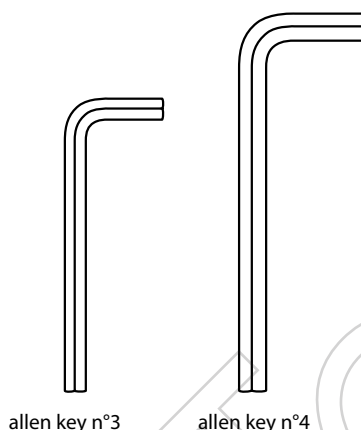
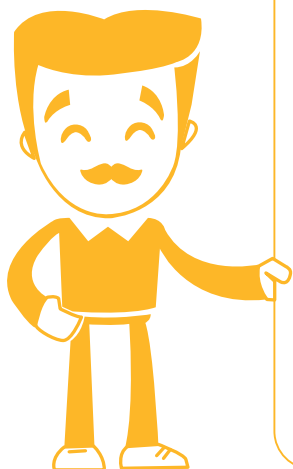
Quadro Profile



Keder Profile



Keder Joiner Set

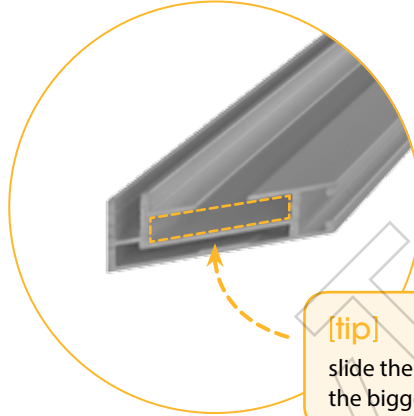


Name	Article code	Information	Use
1 Single Frame Profile	8840 0010 0014	0.89 kg/m • 26 x 45 mm • up to 6 m	
2 Double Frame Profile	8840 0010 0024	1.09 kg/m • 49 x 45 mm • up to 6 m	
3 Cube Frame Profile	8843 0010 0014	1.18 kg/m • 105 x 145 mm	
4 Corner Connector Set	8840 4099 0004	0.20 kg/set	Connects 1 to 1 or 2 to 2
5 Brace Profile	8840 0010 0034	0.68 kg/m • 46 x 19 mm • up to 6 m	Reinforces two Frame Profiles
6 Brace Lock	8840 0010 0334	0.04 kg/piece	Connects 5 to a Frame Profile
7 Cube Corner Connector	8843 4099 0004	0.10 kg	Connects 3 to 3
8 T-section Connector	8843 4099 0034	0.07 kg	Connects 3 to 3 for extension
9 Joiner Set	8840 0042 0004	0.22 kg /set	Connects 1 to 1 or 2 to 2 for extension
10 Frame Corner Connector set HD *	8840 4099 0044	0.75 kg	Joins two assembled Print Frames into a corner
11 Frame Joiner Set HD *	8840 0042 0044	0.75 kg/set	Joins two assembled Print Frames
12 Reinforced Corner	8840 4099 0034	1.16 kg/piece	From 4 m onwards
13 Stand *	8840 2000 0004	1.73 kg/piece • 500 x 80 x 6 mm	Creates a free standing frame
14 Cable Glider *	8840 9600 ##64	0.01 kg/piece • 1.5 mm or 3 mm	Connects 15 to a frame
15 Cable *	8840 9600 73##	0.01 kg/m • 1.5 mm or 3 mm	Hangs an assembled Print Frame from the ceiling
16 Cube Frame Suspension	8843 9600 0034	set of 4 pieces	Mounts an assembled Print Frame to the wall or to the ceiling
17 Foam	8840 4107 0103		
* Not for Single Frame Profiles			
18 Quadro Profile	8840 0010 0054	1.99 kg/m • 50 x 50 mm • up to 6 m	
19 Keder Profile	8847 0010 0014	0.94 kg/m	Bendable frame used for circles and special designs
20 Keder Joiner Set	8847 0041 0014	0.04 kg/piece	Connects 19 to 19

ASSEMBLY SINGLE FRAME PROFILES

1 SLIDE A CORNER CONNECTOR SET INTO TWO SINGLE FRAME PROFILES TO CREATE A CORNER

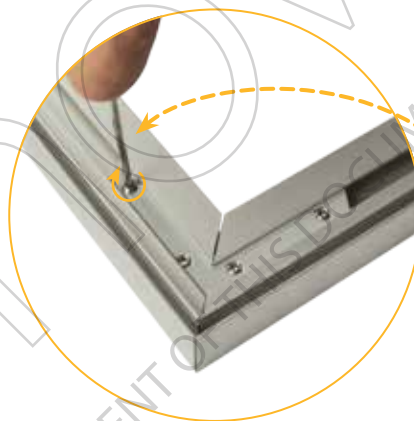
The set consists of two connector plates of which one has four adjusting screws.



[tip]
slide the set into
the biggest slot



2 ALIGN THE CORNERS AND SECURE THE CORNER CONNECTORS



Don't tension the corner connector set too hard, you might need to adjust the corners.



[tooltip]
use an allen key n°3 to tension the corner connector set into the frame

3 ASSEMBLE THE FRAME AND TENSION THE ADJUSTING SCREWS HAND TIGHT

After connecting three profiles, slide two corner connector sets into the fourth profile before closing the frame.



4 SECURE THE PRINT INTO THE FRAME WITH THE PLASTIC KEDER



Fold in the corners to get a clean border.



5 WORK YOUR WAY TO EVERY CORNER



- 1 Insert the keder in the 4 corners.
- 2 Start with one side, insert the keder in the middle of the profile and work your way to the corners.
- 3 Repeat for the opposite side.
- 4 Repeat for the remaining 2 sides.

6 MOUNT TO A WALL

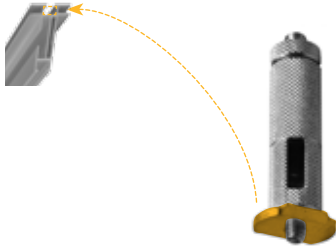


PREPARATION ASSEMBLY DOUBLE FRAME PROFILES

1 HANGING OR STANDING?

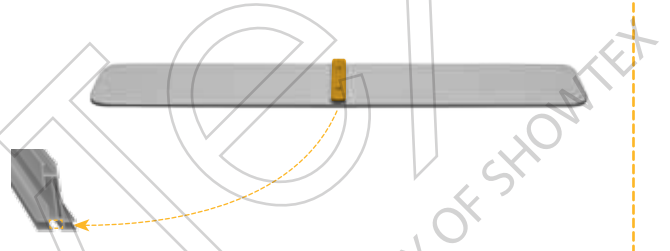
Hanging (p. 9-10)

Insert the **base plate** from the Cable Glider in the top frame **before assembly**



Standing (p. 11)

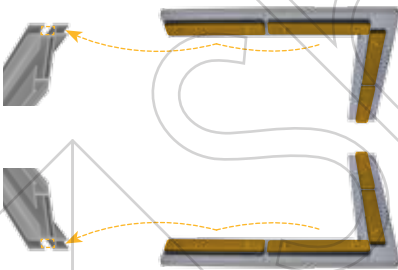
Insert the **Joiner** from the Stand into the bottom frame **before assembly**



2 MULTIPLE FRAMES?

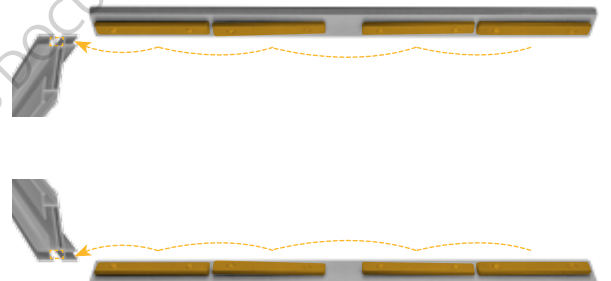
Create a corner (p. 11)

Insert the **Joiners** from the Frame Corner Connector set HD into the top and bottom frame **before assembly**



Join two frames (p. 11)

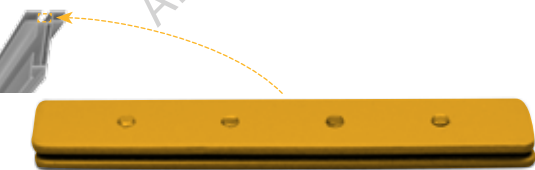
Insert the **Joiners** from the Frame Joiner Set HD into the top and bottom frame **before assembly**



3 CONNECTING FRAMES?

Connect two profiles (p.13)

Insert the **Joiner Set** into the profile **to assemble**



4 BIG FRAMES?

Reinforce the outer corners (p. 13)

Insert the **Joiners** from the Reinforced Corner into the insides of the frame **before assembly**



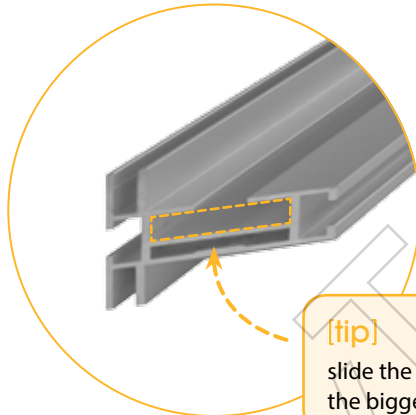
ASSEMBLY DOUBLE FRAME PROFILES

Define hanging or standing and always insert the joiners or base plates first into the frames before assembly!

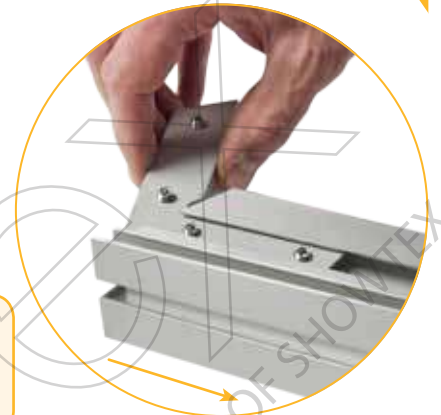


1 ASSEMBLE THE FRAME (SEE STEPS 1-5 ON PAGE 6-7)

The set consists of two connector plates of which one has four adjusting screws.

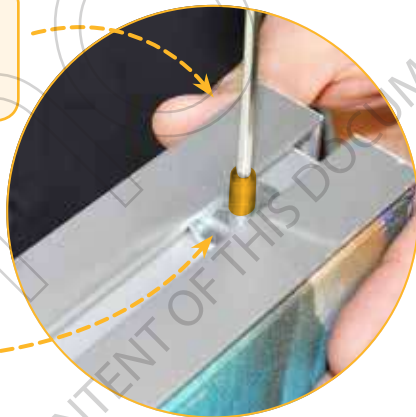
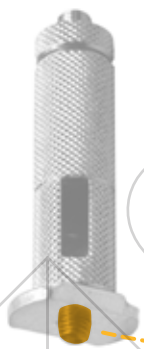


[tip] slide the set into the biggest slot

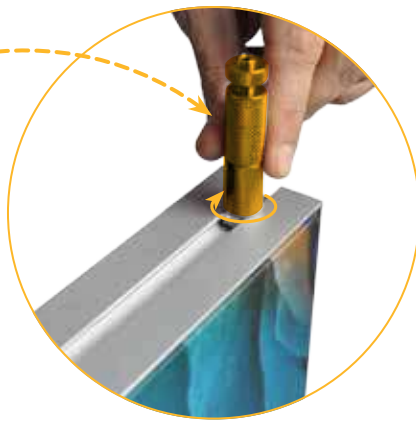
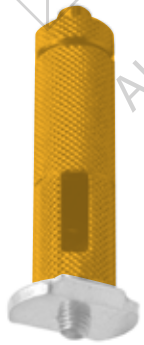


HANGING SCREW IN THE BOLT FROM THE CABLE GLIDER

[tooltip] use an allen key 3 to tighten the bolt

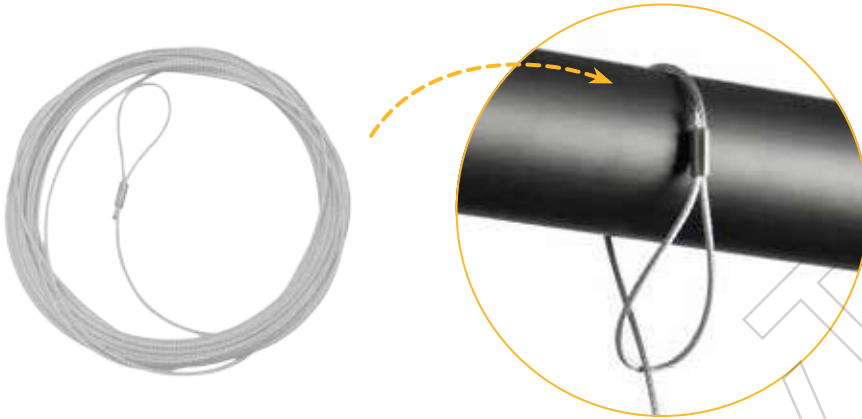


HANGING SECURE THE CABLE GLIDER INTO THE JOINER

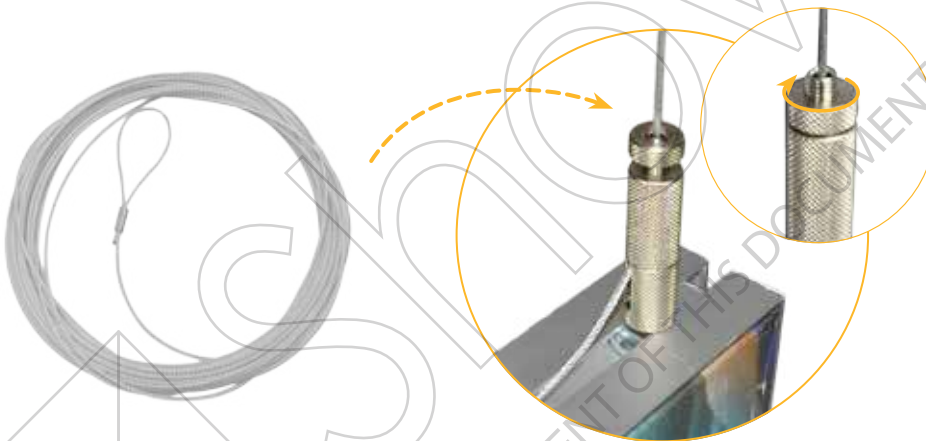


ALL IMAGES AND CONTENT OF THIS DOCUMENT ARE PROPERTY OF SHOWTEX

HANGING HANG THE CABLE OVER THE TRUSS AND PULL THE END OF THE CABLE THROUGH THE LOOP



HANGING PULL THE CABLE THROUGH THE CABLE GLIDER, LEVEL THE FRAME AND SECURE THE GLIDER



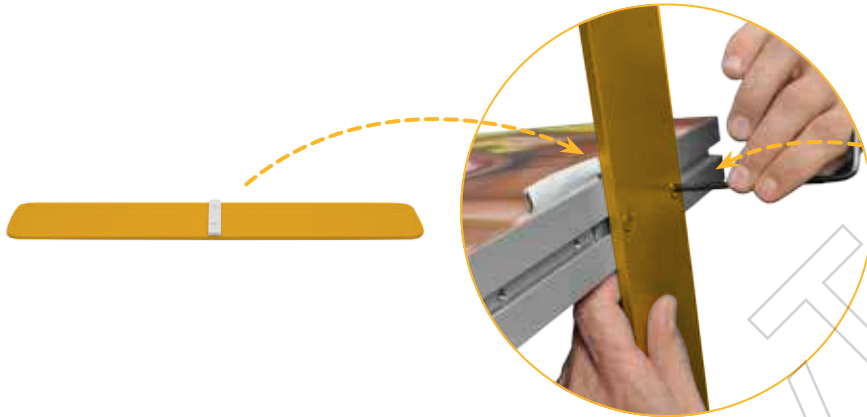
Hide the left over cable into the groove for a clean finish and if you want to lower the frame later.



HANGING HANG FROM THE CEILING



STANDING SECURE THE STAND TO THE JOINER

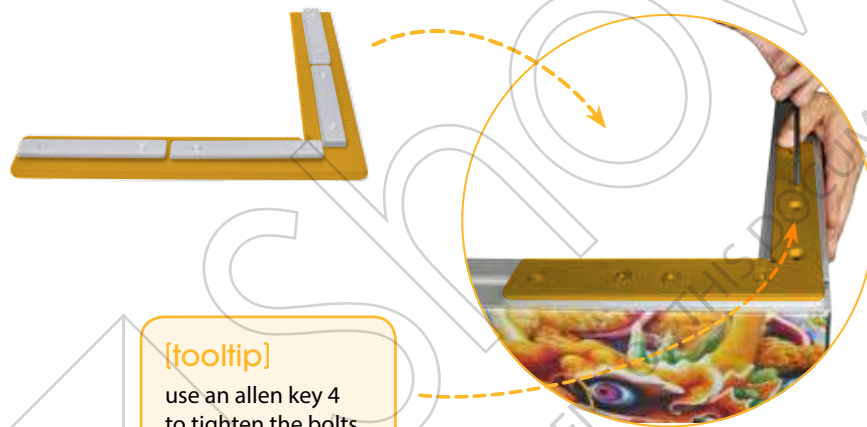


For frames with a maximum height of 3m. Maximum space of 2m between two stands.

[tooltip]
use an allen key 4 to tighten the bolts



CORNER SECURE THE FRAME CORNER CONNECTOR HD TO THE JOINERS ON TOP AND AT THE BOTTOM OF THE FRAME



[tooltip]
use an allen key 4 to tighten the bolts



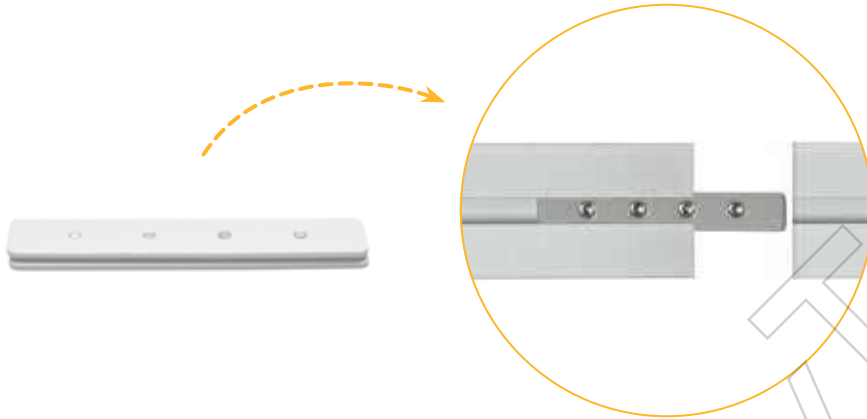
JOINING SECURE THE FRAME JOINER SET HD TO THE JOINERS ON TOP AND AT THE BOTTOM OF THE FRAME



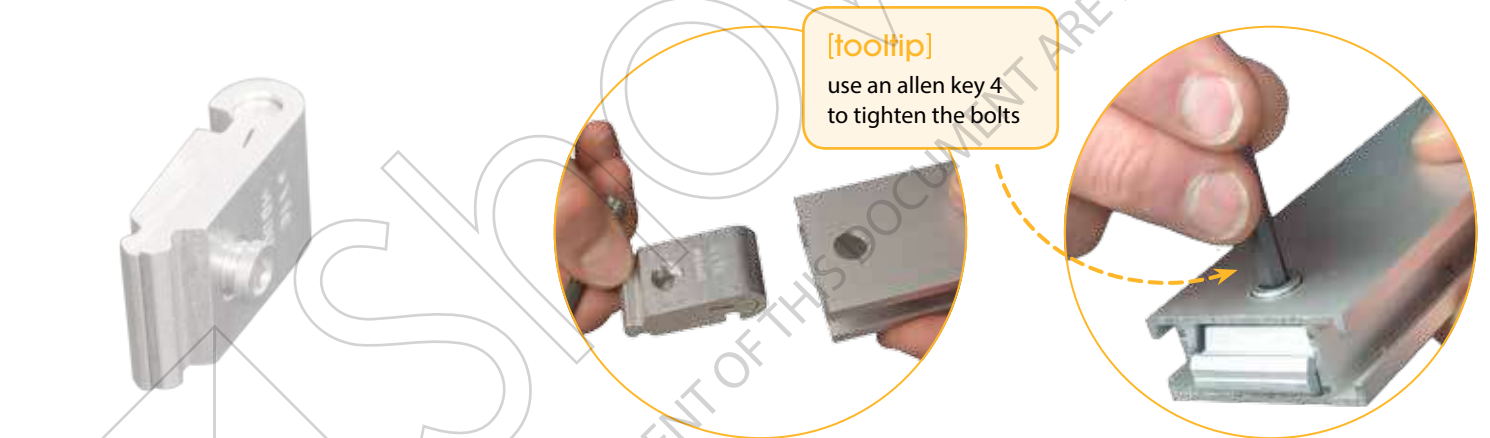
[tooltip]
use an allen key 4 to tighten the bolts



CONNECTING / CONNECT MULTIPLE FRAME PROFILES WITH A JOINER SET



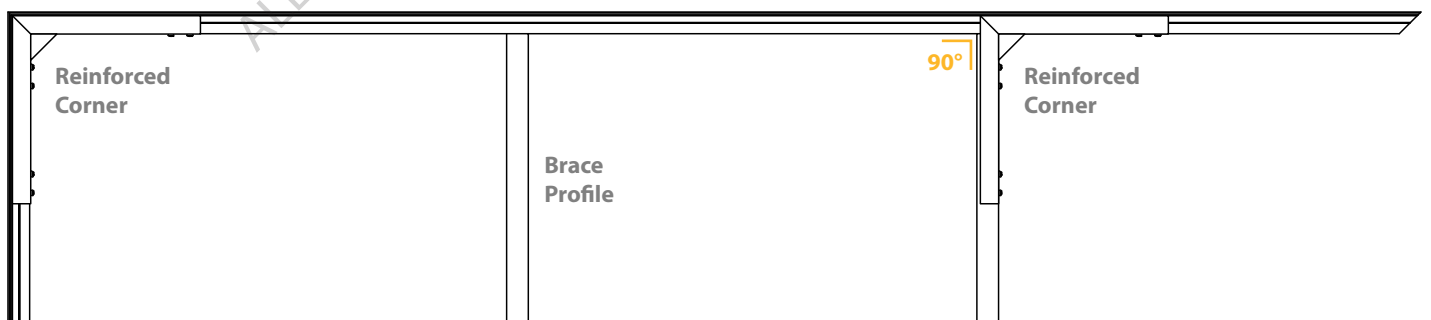
BIG FRAMES / SECURE THE BRACE LOCK INTO THE BRACE PROFILE



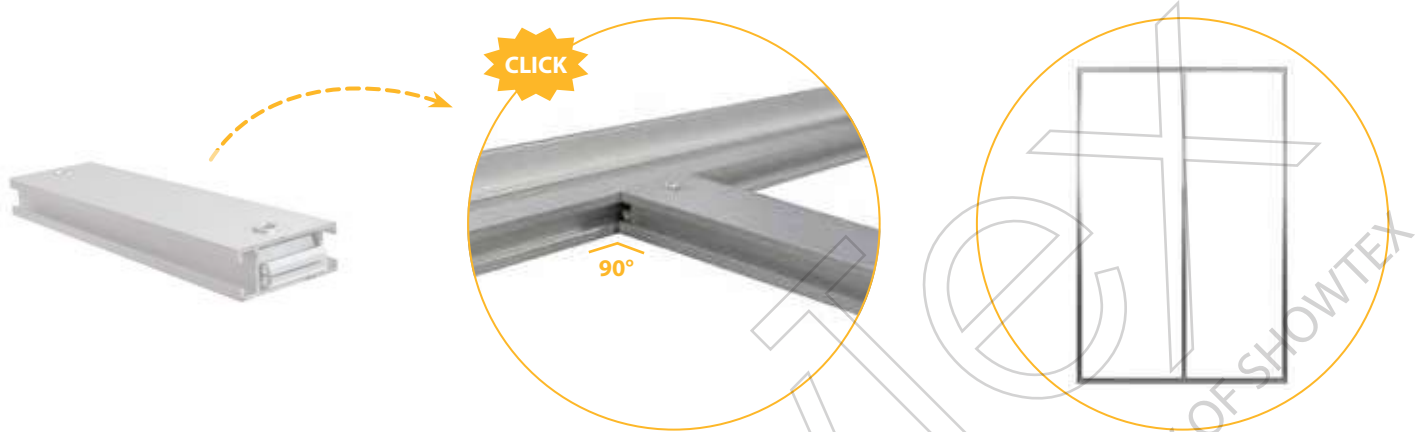
BIG FRAMES / DIVIDE THE OUTER FRAME IN EQUAL PIECES AND POSITION THE BRACE PROFILES

max. 300 cm space in between the brace profiles

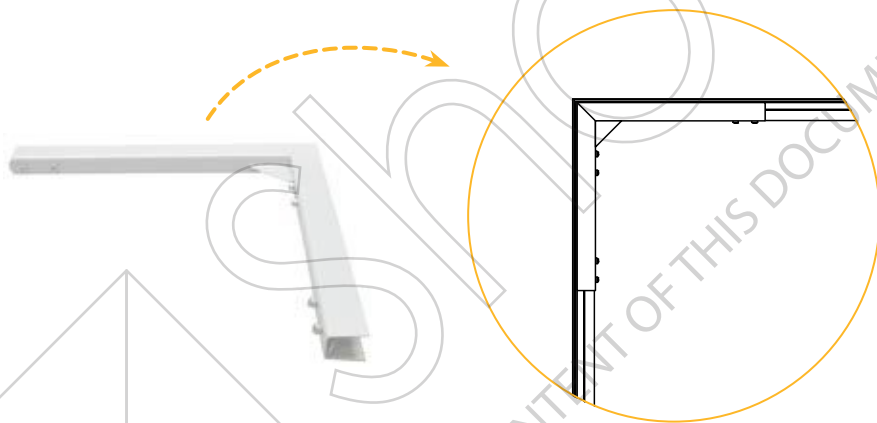
max. 300 cm



BIG FRAMES / SECURE THE BRACE PROFILE IN A PERFECT 90° CORNER



BIG FRAMES / INSERT THE REINFORCED CORNER(S) INTO THE CORNERS FOR FRAMES OVER 4 M



FRAME IN FRAME / ASSEMBLE THE FRAME IN THE FRAME



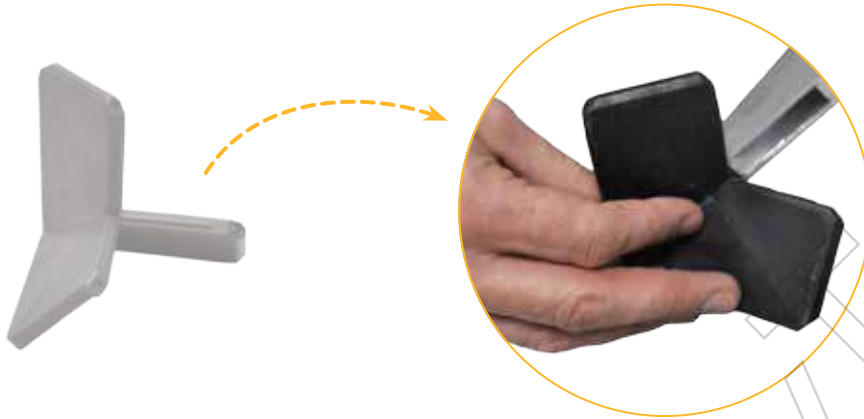
Look at the corners to distinguish the outer from the inner frame.



INNER FRAME

ASSEMBLY CUBE FRAME PROFILE

1 SLIDE THE CUBE CORNER CONNECTORS INTO THE CUBE FRAME PROFILES AND CONNECT THE PROFILES



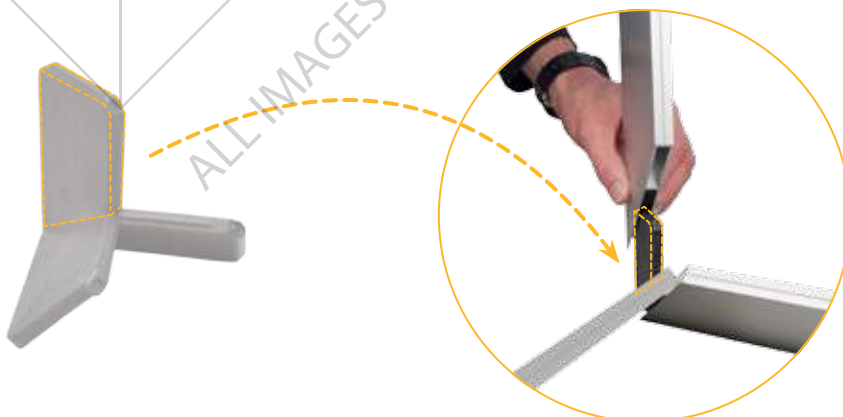
2 CREATE THE BASE AND THE TOP BY CONNECTING 4 PROFILES



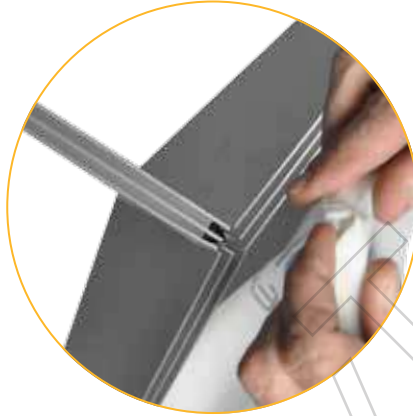
For easy assembly, first connect three profiles and slide two cube corner connectors into the fourth profile.



3 SLIDE THE PROFILES INTO THE CUBE CORNER CONNECTORS OF THE BASE FRAME AND ATTACH THE TOP



4 MAKE SURE THE CORNERS ARE PERFECTLY ALIGNED BEFORE SECURING THE PRINT INTO THE FRAME



Fold in the corners first to get a clean border.



5 SECURE THE PRINT INTO THE FRAME WITH THE PLASTIC KEDER



HANGING / SECURE THE CORNERS WITH SELF TAPPING SCREWS FOR A PERMANENT INSTALLATION



If deassembly needed, profiles & corners need to be predrilled & connected with bolts & nuts. This can be done by ShowTex. Please contact us in advance.



TROUBLE SHOOTING

The print doesn't fit in the grooves/corners

- When the print is brand new, you need to tension the corners first before pushing in the rest of the print.
- First put in the corners before you push in the rest of the print.

For more technical assistance please contact your local ShowTex office.



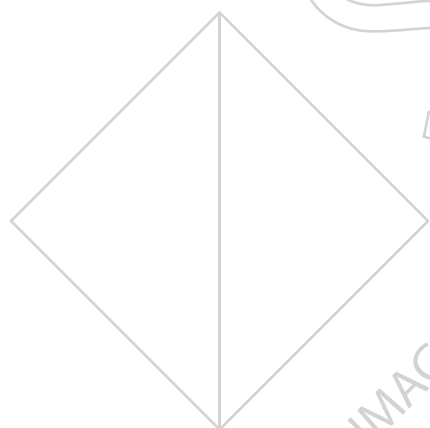
HAVE A GREAT SHOW!

SHOWTEX
ALL IMAGES AND CONTENT OF THIS DOCUMENT ARE PROPERTY OF SHOWTEX



AMAZING STAGE FABRICS IN MOTION

WWW.SHOWTEX.COM



SHOWTEX
ALL IMAGES AND CONTENT OF THIS DOCUMENT ARE PROPERTY OF SHOWTEX