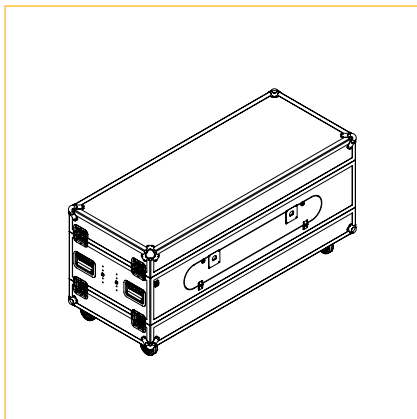


AUTOREVEAL 600

TECHNICAL DATA SHEET

March 2020

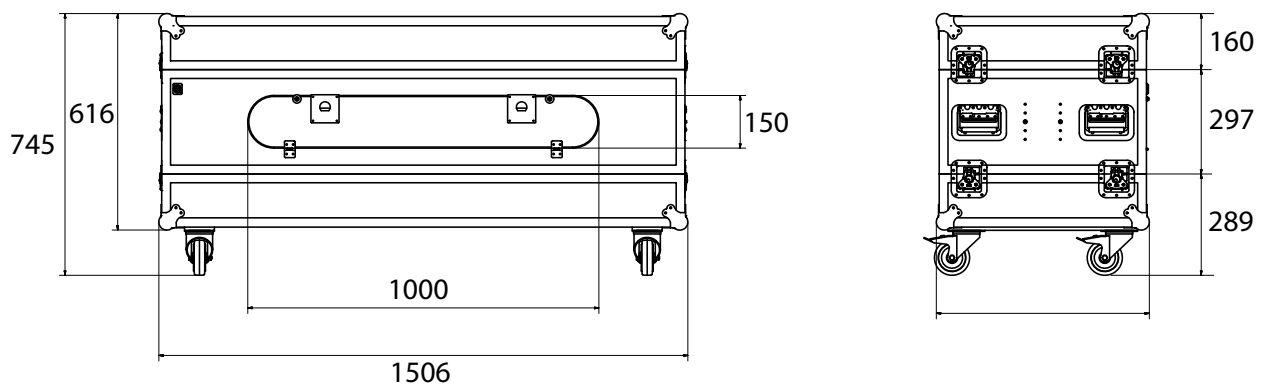
AutoReveal 600 is perfect for big product launches, unveiling new vehicles or premiering just about anything you can cover with an unveiling curtain. You can launch everything that can be covered by a 200 m² Satinac revealing curtain. This custom-made curtain has a maximum size of 17 x 12 m and will unveil fully in only 20 seconds.



» SPECIFICATIONS

- Reveal large objects up to 3.60 m H x 2.50 m W x 8.80 m L in only 20s.
- Easy cabling & control with included manual controller. DMX control (DMX Basic 300/600 module) or RF remote are optional.
- Quick installation and easy setting of limits.
- Housing consists of three parts for maximum adjustability.
- Have your fabric made to measure. (max 12 m W x 17 m L)

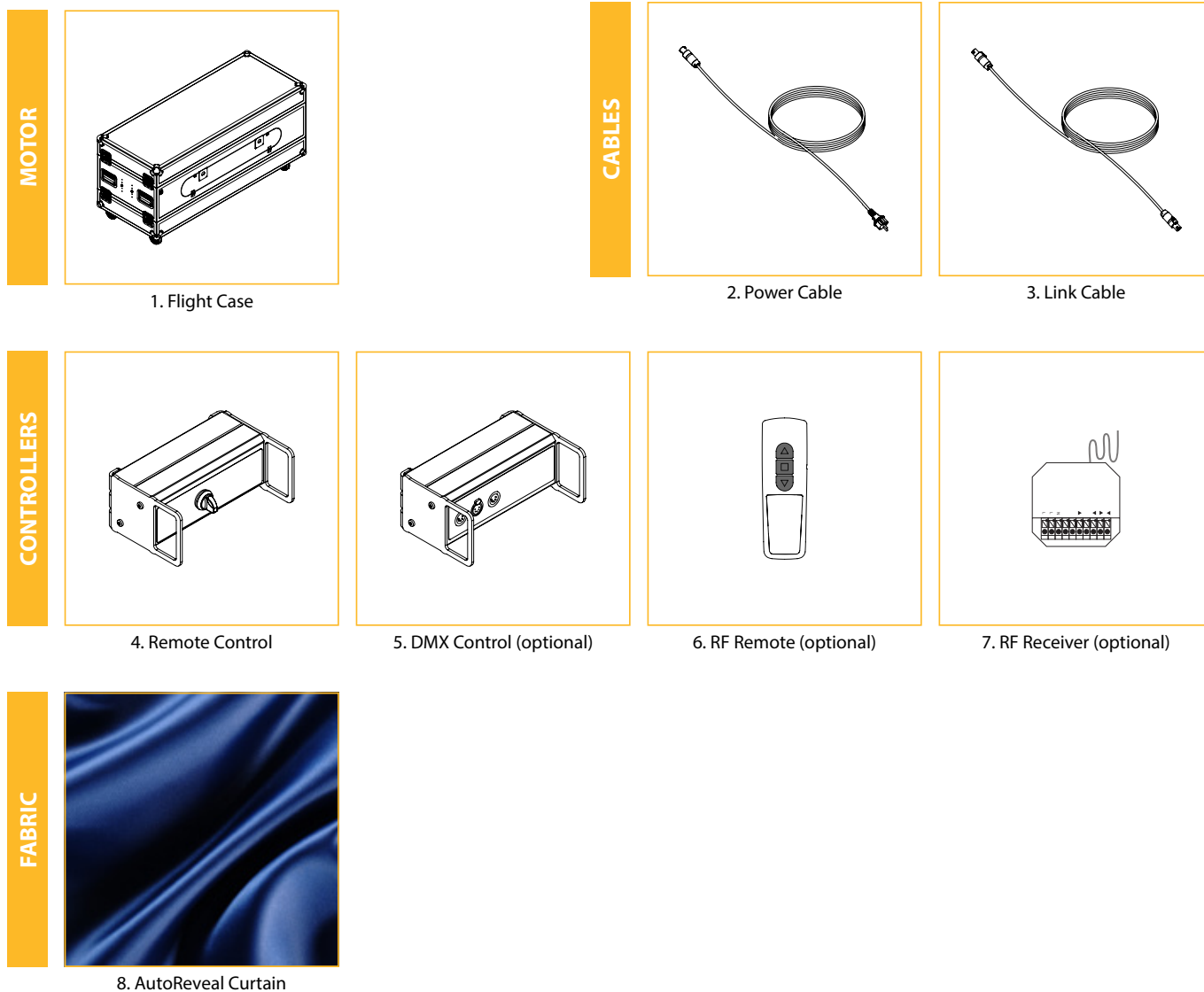
» OUTER DIMENSIONS (MM)



» ELECTRICAL AND MECHANICAL PROPERTIES

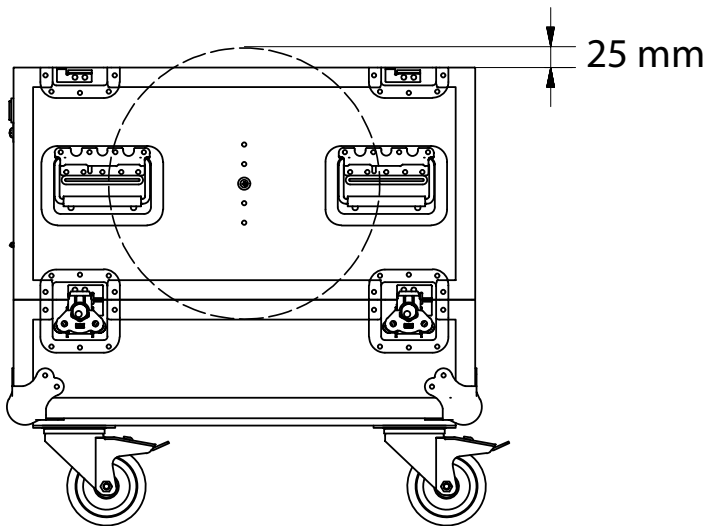
- Torque: 18 Nm
- Speed: 70 rpm
- Range: 1-76 revolutions
- Axis diameter: 8.6 cm
- Motor Power: 132 W
- Power in: 1 x 230 VAC, 1.9 A
- Power connection: SpeakON 16 A
- Duty cycle: S2 - 4 min

» COMPONENTS (MM)



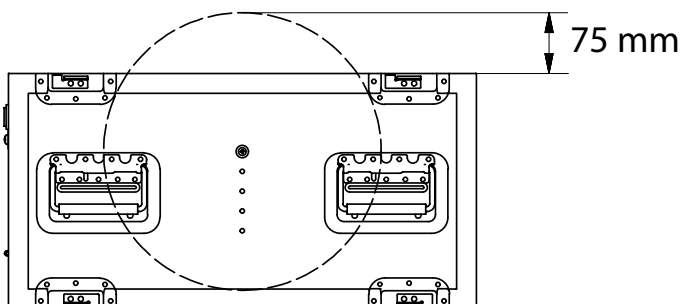
| NAME | ART.NR. | WEIGHT | INFORMATION |
|-----------------------|----------------|----------------------|---|
| 1. Flight Case | 8160 7400 1057 | 32 kg/pc | |
| 2. Power Cable | 8150 0912 0027 | 0.40 kg/pc | Length: 2 m |
| 3. Link Cable | 8160 0915 0257 | 3.39 kg/pc | Length: 25 m |
| 4. Remote Control | 8160 0950 0017 | 1.55 kg/pc | |
| 5. DMX Control | 8160 0950 0037 | 1.92 kg/pc | optional |
| 6. RF Remote | 8160 7400 1307 | 0.05 kg/pc | optional • 1 channel • range: 20 m (indoor) to 200 m (open space) |
| | 8160 7400 1317 | 0.05 kg/pc | optional • 5 channels • range: 20 m (indoor) to 200 m (open space) |
| | 8160 7400 1327 | 0.05 kg/pc | optional • 10 channels • range: 20 m (indoor) to 200 m (open space) |
| 7. RF Receiver | 8160 7400 1337 | 0.10 kg/pc | optional |
| 8. AutoReveal Curtain | custom-made | 110 g/m ² | Max 12 m x 17 m • sold separately |

» EXTRA INFORMATION



WITHOUT COVER

When using the AutoReveal 600 system without cover, make sure to place the axis in the center position and to provide **sufficient obstruction-free space** for the fabric to be stored in rolled-up fashion. These dimensions are based on the largest usable fabric.



WITHOUT COVER & BOTTOM

When using the AutoReveal 600 system without cover and bottom, make sure to place the axis in the top position and to provide **sufficient obstruction-free space** for the fabric to be stored in rolled-up fashion. These dimensions are based on the largest usable fabric.

HAVE A GREAT SHOW!
MORE INFO ON WWW.SHOWTEX.COM