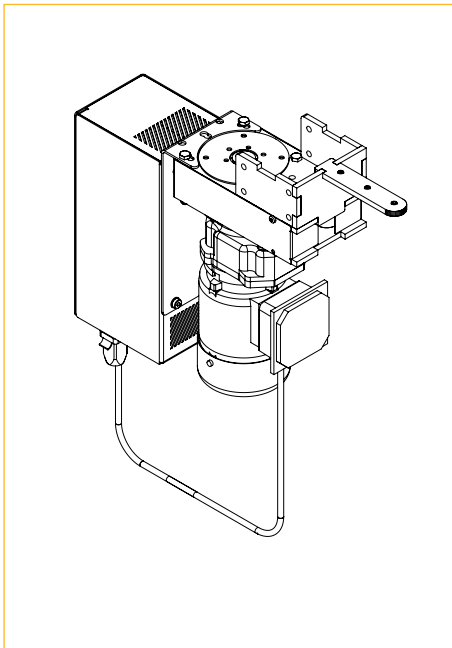


CHAINTRACK DRIVE 1500

TECHNICAL DATA SHEET

February 2021

The Chain Track Drive (CTD) systems facilitate motion of stage curtains or set pieces on a stage track by means of electric motors.



» SPECIFICATIONS

- Built up in 3 major parts: Chain transmission, Motor and Control Unit
- All connections are made with plugs which makes it easy for touring and installation
- The control unit can be hung on the back or on the side of the motor or can be independent suspended.
- A choice of 3 motors with different speed and torque makes it flexible towards needs and demands in projects
- Works with ChainTrack system
- Equipped with an easy to use remote control with open, close & speed switch.
- Optional DMX basic module for control through a lighting console (3 DMX Channels: open -close - speed)

» INSTALLATION SPECIFICATIONS

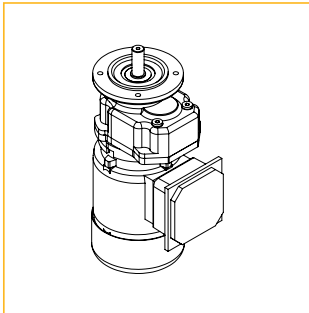
- Power Supply : 1 x 230 VAC +N • 50Hz • 6 A
- Power Connection : PowerCON 20A / Schuco
- Power Distribution: Provide a separate differential switch of 30mA for the motor (Motor is driven by a Frequency drive, the RFI filters produce a [leakage current](#))

» OPERATIONAL SPECIFICATIONS

- Speed : Variable Speed
- Remote Control : Open - Close - Speed
- DMX : 3 Channels : Open - Close - Speed

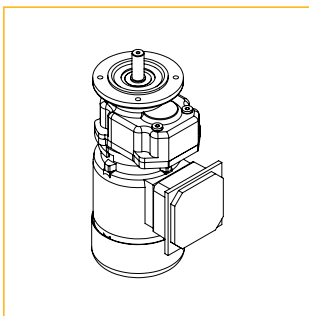
» ELECTRONICAL AND MECHANICAL PROPERTIES

» CTD 1500 • 101 rpm



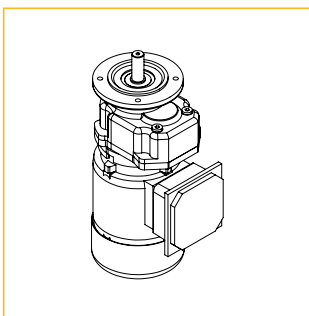
- Motor torque : 12 Nm
- Motor speed : 101 rpm
- Maximum chain force : 380 N
- Chain speed : 0 to 33 cm/sec
- Motor Power : 120 W
- Power in : 3 x 230 VAC +N • 2.2 A
- Power connection : Harting Male Connector
- Duty Cycle : S1 - Continuous Duty

» CTD 1500 • 48 rpm



- Motor torque : 24 Nm
- Motor speed : 48 rpm
- Maximum chain force : 760 N
- Chain speed : 0 to 16 cm/sec
- Motor Power : 120 W
- Power in : 3 x 230 VAC +N • 2.2 A
- Power connection : Harting Male Connector
- Duty Cycle : S1 - Continuous Duty

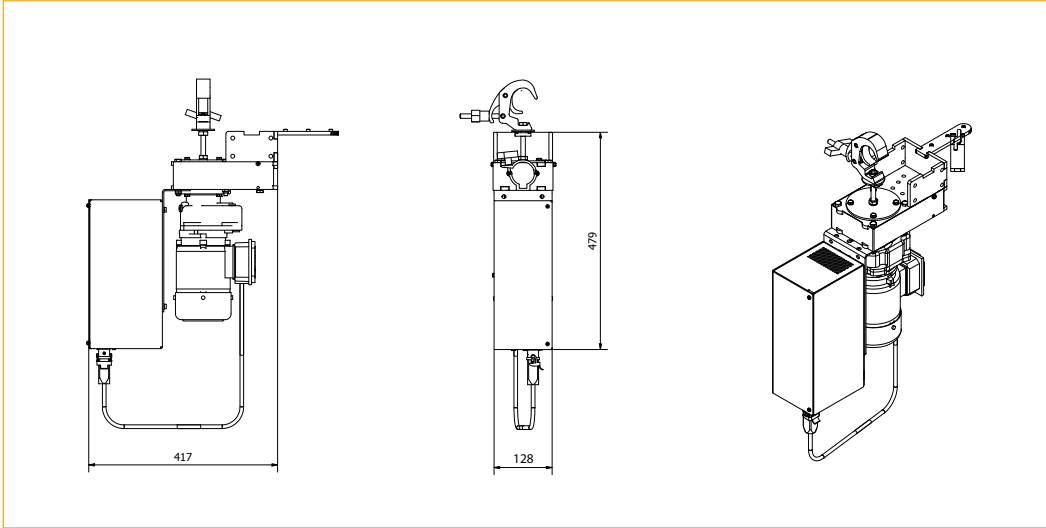
» CTD 1500 • 22 rpm



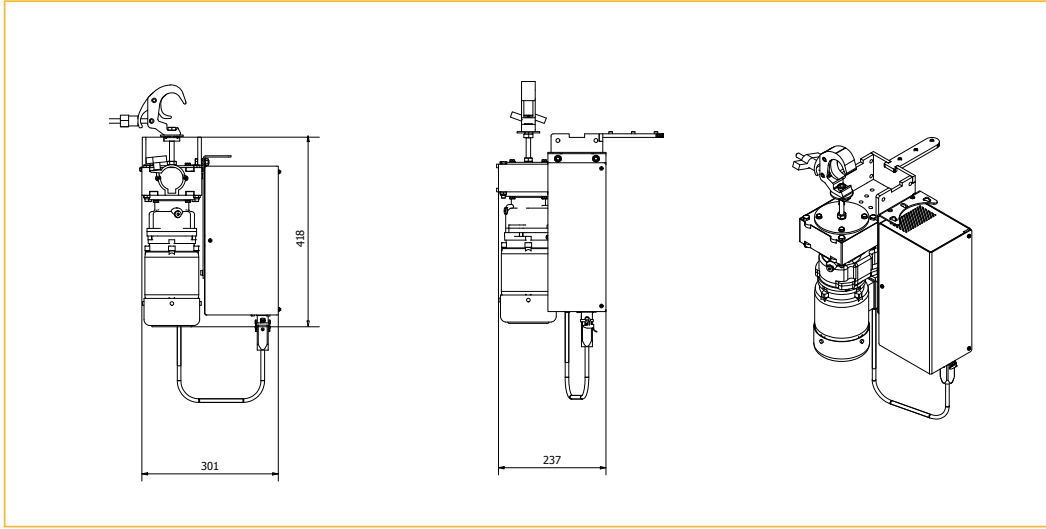
- Motor torque : 54 Nm
- Motor speed : 22 rpm
- Maximum chain force : 1720 N
- Chain speed : 0 to 7 cm/sec
- Motor Power : 120 W
- Power in : 3 x 230 VAC +N • 2.2 A
- Power connection : Harting Male Connector
- Duty Cycle : S1 - Continuous Duty

» SETTINGS

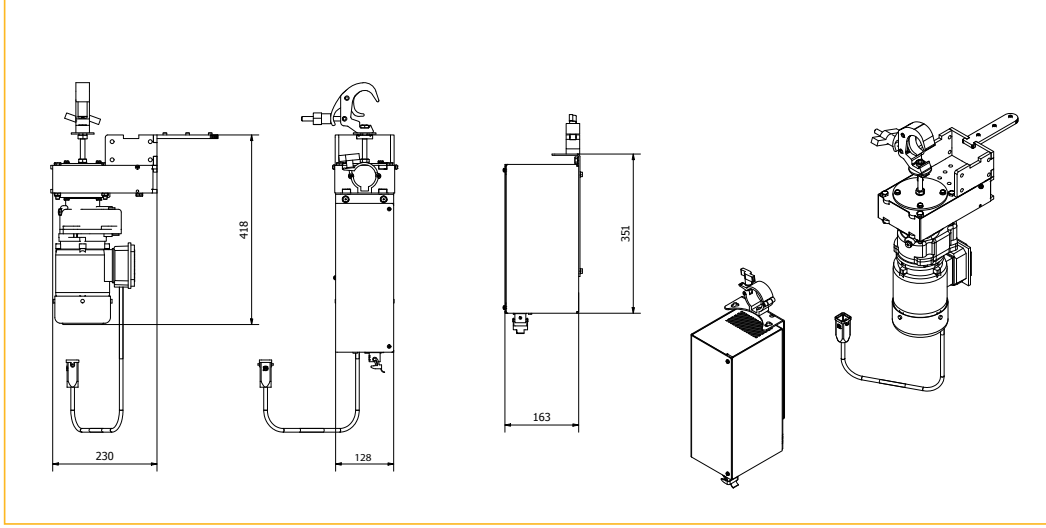
CONTROL UNIT AT THE BACK



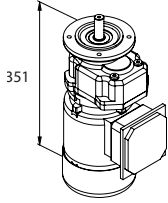
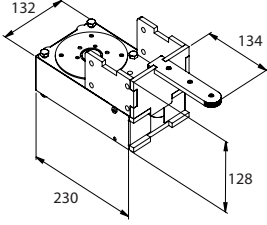
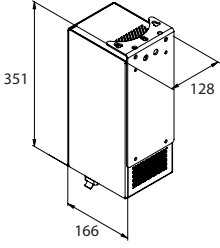
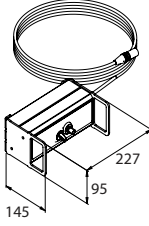
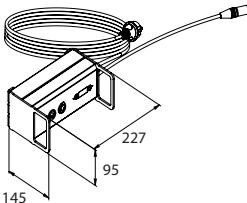
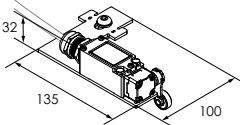

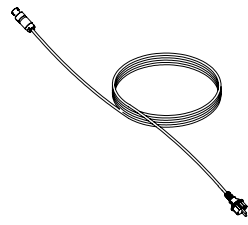
CONTROL UNIT ON THE SIDE



CONTROL UNIT INDEPENDENT

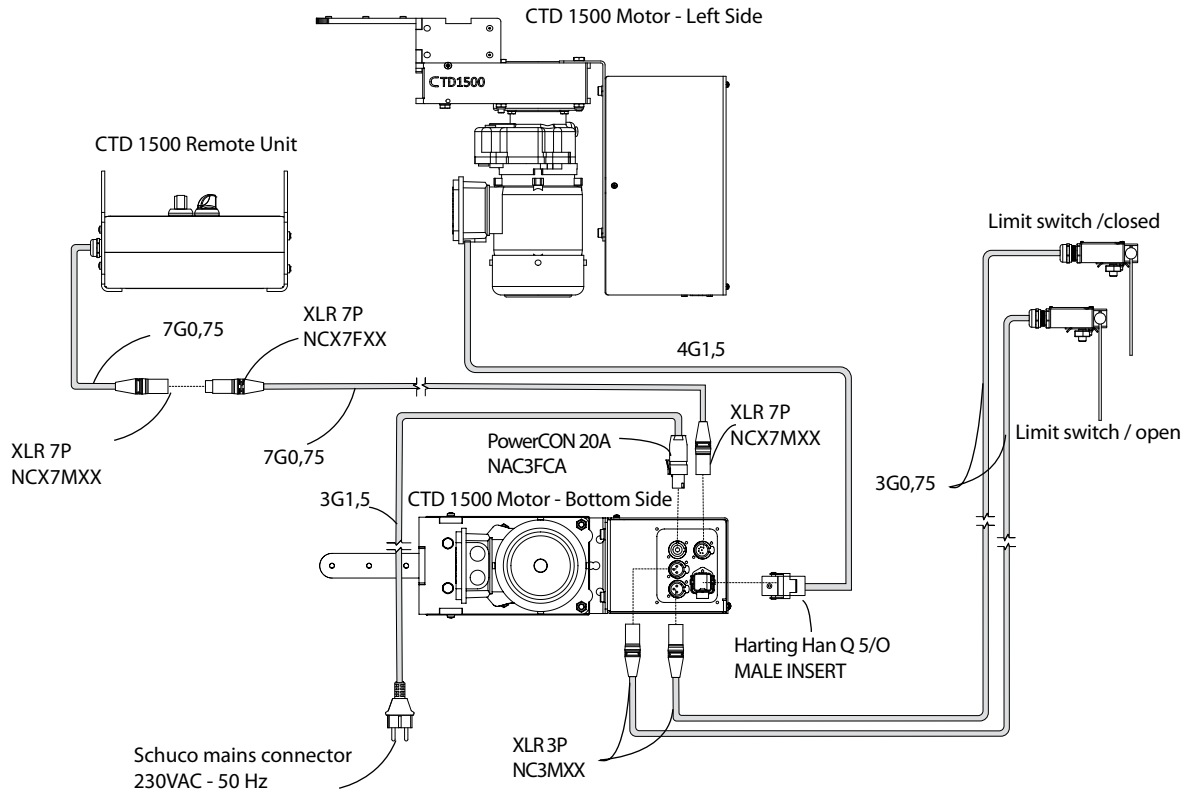


» COMPONENTS (MM)

	<p>CTD 1500 Motor</p> <table border="1"> <thead> <tr> <th>Article code</th> <th>Colour</th> </tr> </thead> <tbody> <tr> <td>8050 0713 2257</td> <td>Black</td> </tr> <tr> <th>Info</th> <th>Weight</th> </tr> <tr> <td>3 x 230 VAC + N 120 W • 2.2 A</td> <td>9.19 kg/piece</td> </tr> </tbody> </table>	Article code	Colour	8050 0713 2257	Black	Info	Weight	3 x 230 VAC + N 120 W • 2.2 A	9.19 kg/piece		<p>Chain Transmission</p> <table border="1"> <thead> <tr> <th>Article code</th> <th>Colour</th> </tr> </thead> <tbody> <tr> <td>8080 0486 0037</td> <td>Black</td> </tr> <tr> <th>Info</th> <th>Weight</th> </tr> <tr> <td>Including Clamp 100 kg</td> <td>0.600 kg/pc</td> </tr> </tbody> </table>	Article code	Colour	8080 0486 0037	Black	Info	Weight	Including Clamp 100 kg	0.600 kg/pc
Article code	Colour																		
8050 0713 2257	Black																		
Info	Weight																		
3 x 230 VAC + N 120 W • 2.2 A	9.19 kg/piece																		
Article code	Colour																		
8080 0486 0037	Black																		
Info	Weight																		
Including Clamp 100 kg	0.600 kg/pc																		
	<p>CTD1500 Control Unit</p> <table border="1"> <thead> <tr> <th>Article code</th> <th>Colour</th> </tr> </thead> <tbody> <tr> <td>8050 0751 1507</td> <td>Black</td> </tr> <tr> <th>Info</th> <th>Weight</th> </tr> <tr> <td>Including clamp 75kg</td> <td>6.46 kg/pc</td> </tr> </tbody> </table>	Article code	Colour	8050 0751 1507	Black	Info	Weight	Including clamp 75kg	6.46 kg/pc		<p>CTD 1500 Remote Unit</p> <table border="1"> <thead> <tr> <th>Article code</th> <th>Colour</th> </tr> </thead> <tbody> <tr> <td>8050 0766 0040</td> <td>Black</td> </tr> <tr> <th>Info</th> <th>Weight</th> </tr> <tr> <td>With speed control and 2 m cable</td> <td>5.40 kg/pc</td> </tr> </tbody> </table>	Article code	Colour	8050 0766 0040	Black	Info	Weight	With speed control and 2 m cable	5.40 kg/pc
Article code	Colour																		
8050 0751 1507	Black																		
Info	Weight																		
Including clamp 75kg	6.46 kg/pc																		
Article code	Colour																		
8050 0766 0040	Black																		
Info	Weight																		
With speed control and 2 m cable	5.40 kg/pc																		
	<p>CTD 1500 DMX Basic Module</p> <table border="1"> <thead> <tr> <th>Article code</th> <th>Colour</th> </tr> </thead> <tbody> <tr> <td>8050 0766 0300</td> <td></td> </tr> <tr> <th>Info</th> <th>Weight</th> </tr> <tr> <td>With 2 m cable</td> <td>1.92 kg/pc</td> </tr> </tbody> </table>	Article code	Colour	8050 0766 0300		Info	Weight	With 2 m cable	1.92 kg/pc		<p>Limit Switch Set</p> <table border="1"> <thead> <tr> <th>Article code</th> <th>Colour</th> </tr> </thead> <tbody> <tr> <td>8050 0770 0013</td> <td>Grey</td> </tr> <tr> <th>Info</th> <th>Weight</th> </tr> <tr> <td>2 pieces • 25m cable</td> <td>0.85kg/p</td> </tr> </tbody> </table>	Article code	Colour	8050 0770 0013	Grey	Info	Weight	2 pieces • 25m cable	0.85kg/p
Article code	Colour																		
8050 0766 0300																			
Info	Weight																		
With 2 m cable	1.92 kg/pc																		
Article code	Colour																		
8050 0770 0013	Grey																		
Info	Weight																		
2 pieces • 25m cable	0.85kg/p																		
	<p>Extension Cable</p> <table border="1"> <thead> <tr> <th>Article code</th> <th>Colour</th> </tr> </thead> <tbody> <tr> <td>8140 7202 2500</td> <td>Grey</td> </tr> <tr> <th>Info</th> <th>Weight</th> </tr> <tr> <td>Length : 25m</td> <td>2.60 kg/pc</td> </tr> </tbody> </table>	Article code	Colour	8140 7202 2500	Grey	Info	Weight	Length : 25m	2.60 kg/pc		<p>Power Cable</p> <table border="1"> <thead> <tr> <th>Article code</th> <th>Colour</th> </tr> </thead> <tbody> <tr> <td>8150 0912 0027</td> <td>Black</td> </tr> <tr> <th>Info</th> <th>Weight</th> </tr> <tr> <td>Length : 2m</td> <td>0.43 kg/pc</td> </tr> </tbody> </table>	Article code	Colour	8150 0912 0027	Black	Info	Weight	Length : 2m	0.43 kg/pc
Article code	Colour																		
8140 7202 2500	Grey																		
Info	Weight																		
Length : 25m	2.60 kg/pc																		
Article code	Colour																		
8150 0912 0027	Black																		
Info	Weight																		
Length : 2m	0.43 kg/pc																		

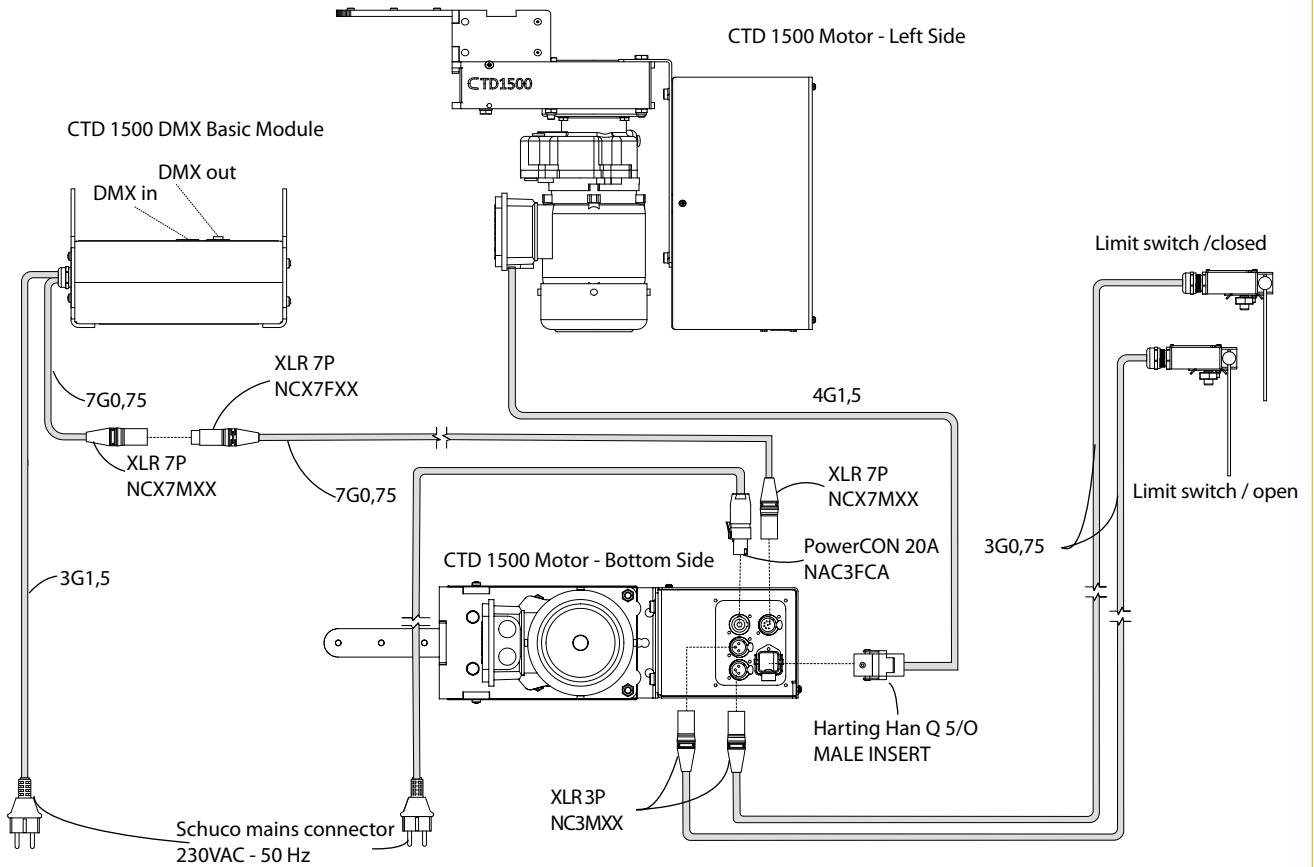
» ELECTRICAL WIRING & CONNECTORS

» STANDARD MANUAL CONTROL UNIT



» ELECTRICAL WIRING & CONNECTORS

» DMX BASIC CONTROL UNIT



HAVE A GREAT SHOW!
MORE INFO ON WWW.SHOWTEX.COM