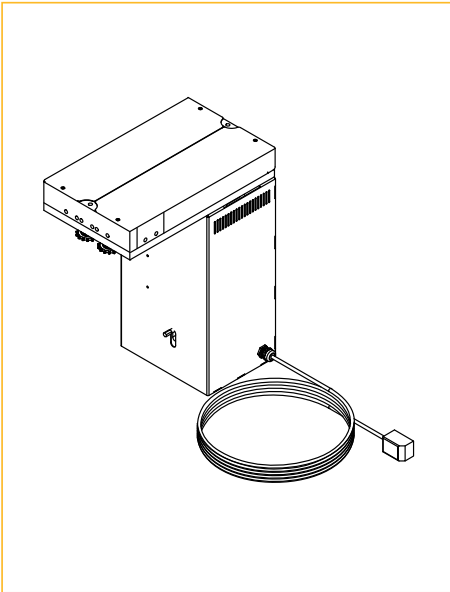


CHAIN DRIVE PRO FLEX

TECHNICAL DATA SHEET

February 2024

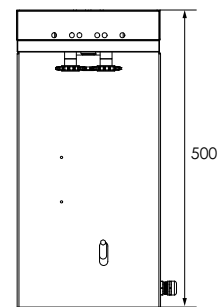
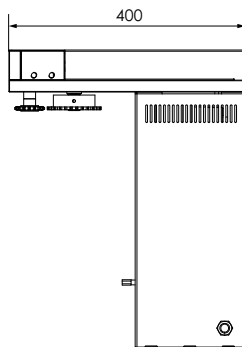
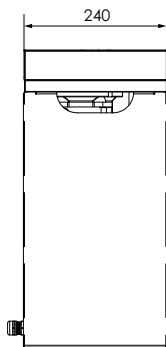
The Chain Drive Pro Flex system facilitates motion of stage curtains or set pieces on a stage track by means of electric motors.



» SPECIFICATIONS

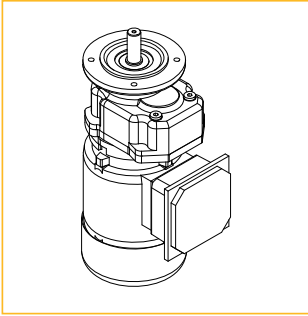
- Equipped with a motor with brake for continuous use (Duty Cycle S1 - 100 %).
- Built up in 2 major parts: Motor Unit with Chain Transmission and Control Unit.
- The control unit is independent suspended.
- All connections are made with plugs which makes it easy for installation.
- Equipped with an easy-to-use remote control with open/close switch, fixed speed switch & emergency stop.
- Can be controlled from a lighting console with 3 DMX channels: position - position fine - speed.
- Precision positioning.

» OUTER DIMENSIONS (MM)



» ELECTRONICAL AND MECHANICAL PROPERTIES

» Chain Drive Pro Flex • 121 rpm

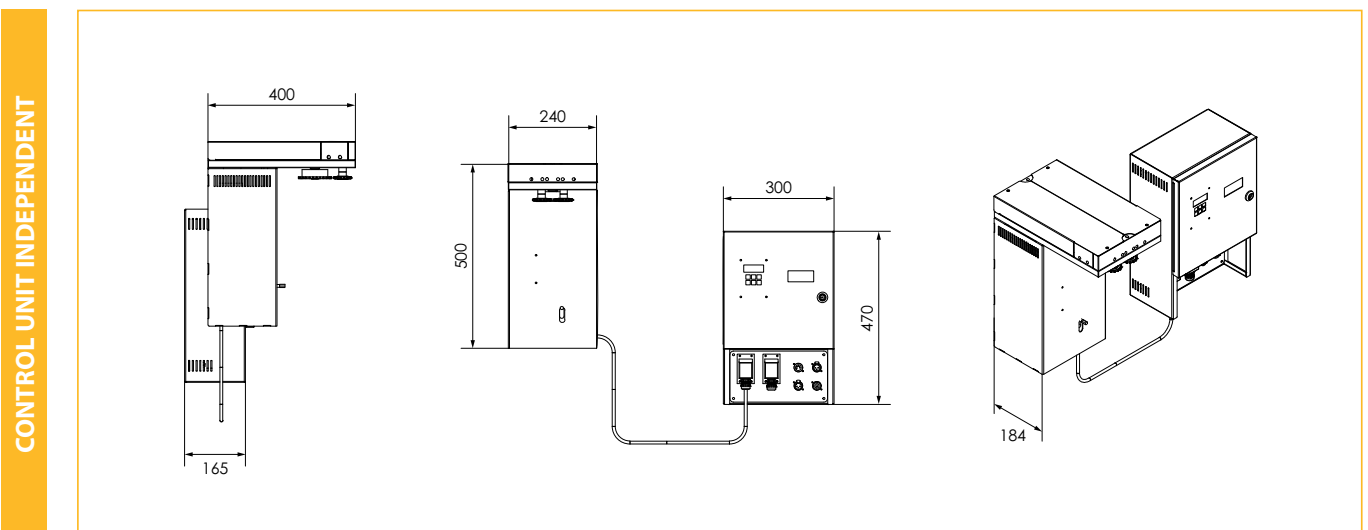


- Motor torque : 59.3 Nm
- Motor speed : 121 rpm
- Maximum chain force : 1394 N
- Chain speed : 0 to 85 cm/sec
- Motor Power : 750 W
- Power in : 3 x 230 VAC +N • 3,6 A
- Power connection : Harting to Control Unit
- Duty Cycle : S1 - Continuous Duty

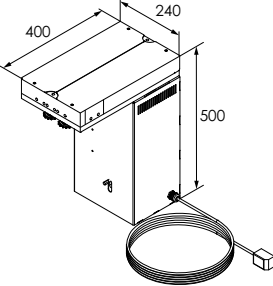
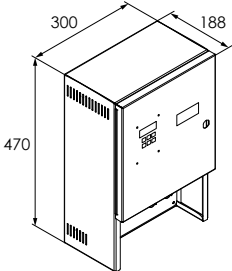
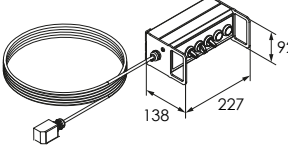
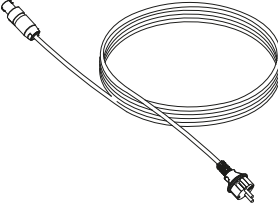
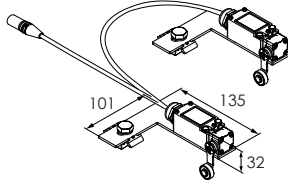
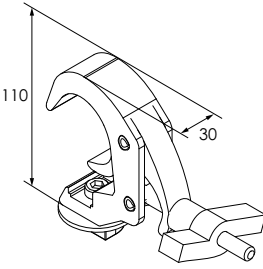
» INSTALLATION SPECIFICATIONS

- Power Supply : 1 x 230 VAC +N • 50/60Hz • 16 A
- Power Connection : PowerCON 20A / Schuko
- Power Distribution: Provide a separate differential switch of 30mA for the motor (Motor is driven by a Frequency drive, the RFI filters produce a [leakage current](#))

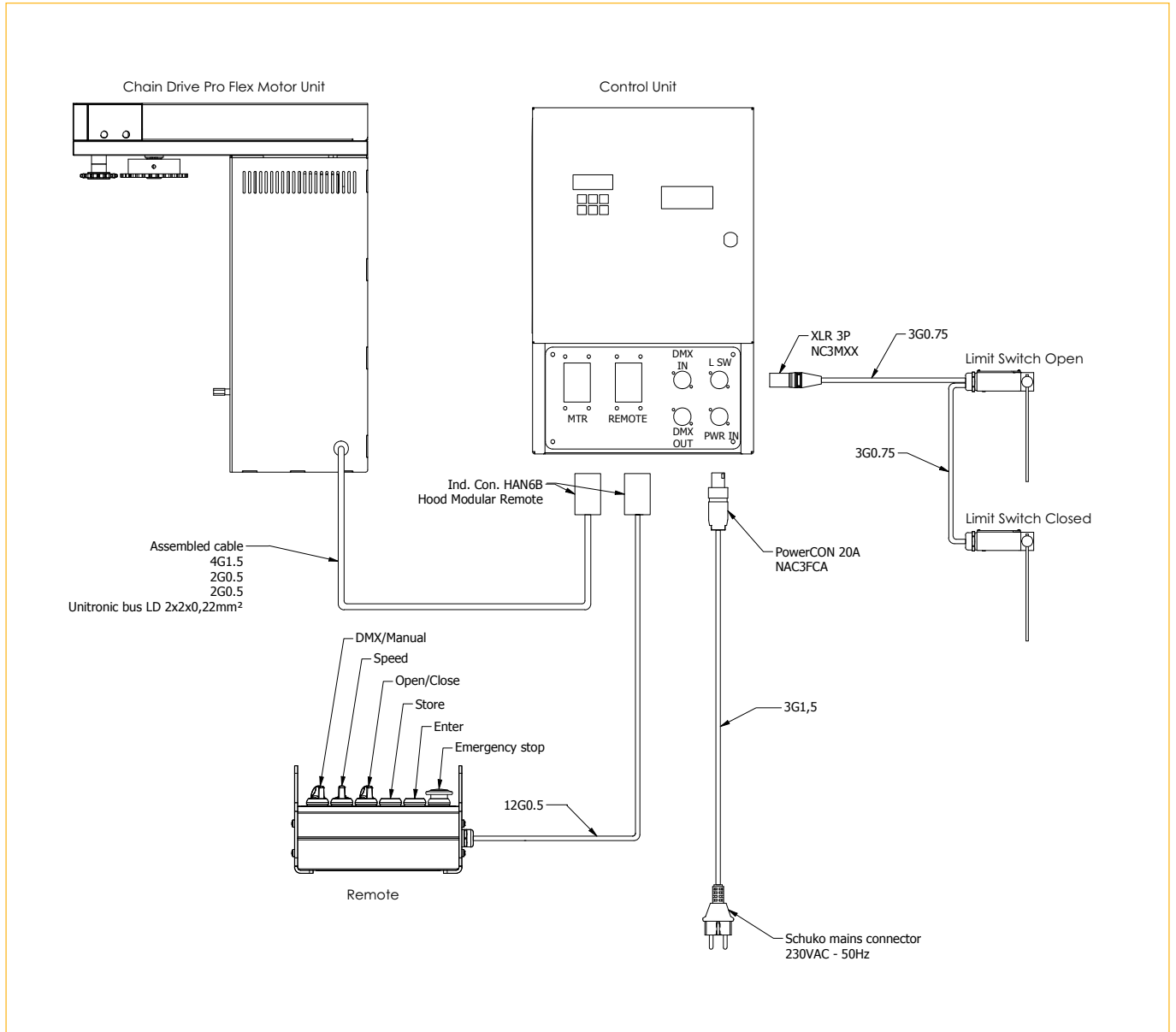
» SETTING



» COMPONENTS (MM)

	Chain Drive Pro Flex		
Article code	Colour	Info	Weight
8080 0702 7507	Black	750 W • 3 x 230 VAC + N • 50 Hz • 3,6 A • including brake	35 kg/pc
	Control Unit		
Article code	Colour	Info	
8080 0750 7507	Black	Including 2 clamps of 75 kg	
Weight	11.6 kg/pc		
		Remote	
Article code	Colour	Info	
8080 0766 7507	Black	With emergency stop 25m cable	
Weight	4.92 kg/pc		
	Power Supply Cable		
Article code	Colour	Info	
8150 0912 0027	Black	Length : 2m	
Weight	0.43 kg/pc		
	Limit Switch Set		
Article code	Colour	Info	
8050 0770 0015	Grey	2 pieces • 25m cable	
Weight	0.85 kg/pc		
	Hook Clamp 100 kg with Channel Nut M10		
Article code	Colour	Info	
8080 0680 0007	Black	1.22 kg/pc	
Weight	1.22 kg/pc		

» ELECTRICAL WIRING & CONNECTORS



HAVE A GREAT SHOW!
MORE INFO ON WWW.SHOWTEX.COM