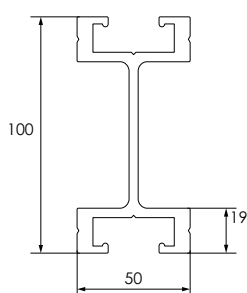


ShowTrack is a highly durable system for heavy curtains and big distances.

#### » TRACK DIMENSIONS (MM)

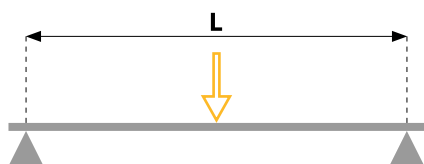


Track weight	3.24 kg/m
Track section max length	6 m
Curved track min radius	0.30 m

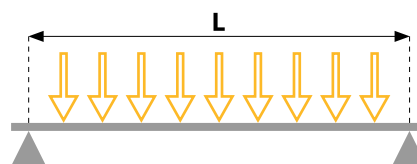
#### » SPECIFICATIONS

- ShowTrack is a solid extruded aluminium track that guarantees a silent glide.
- Rails are available in straight lengths or curved to your specifications.
- A ShowTrack system can be operated manually by rope or automatically by pull-cord operation with our RTD motor range.
- Different types of runners are available to answer a broad range of possible needs, including ball raced runners, scenery carriers, master carriers with brakes and overlap carriers.

#### » LOAD CAPACITY OF TRACK



L (m)	Point load (kg)
1.5	250 kg
2	150 kg
3	100 kg

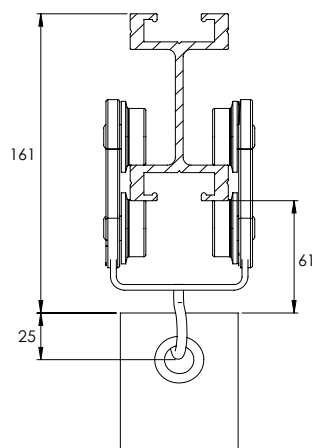


L (m)	Uniformly distributed load (kg/m) • total resulting load (kg)
1.5	233 kg/m • 350 kg
2	88 kg/m • 220 kg
3	67 kg/m • 200 kg

! The distance between two supports should not exceed 3 m

The stated load capacities apply to the rail only. The load bearing capacity of the carrying construction (ceiling/truss/...) and all individual mounting accessories must be taken into account as well.

## » TRACK DIMENSIONS ACCORDING TO CURTAIN SIZE (MM)



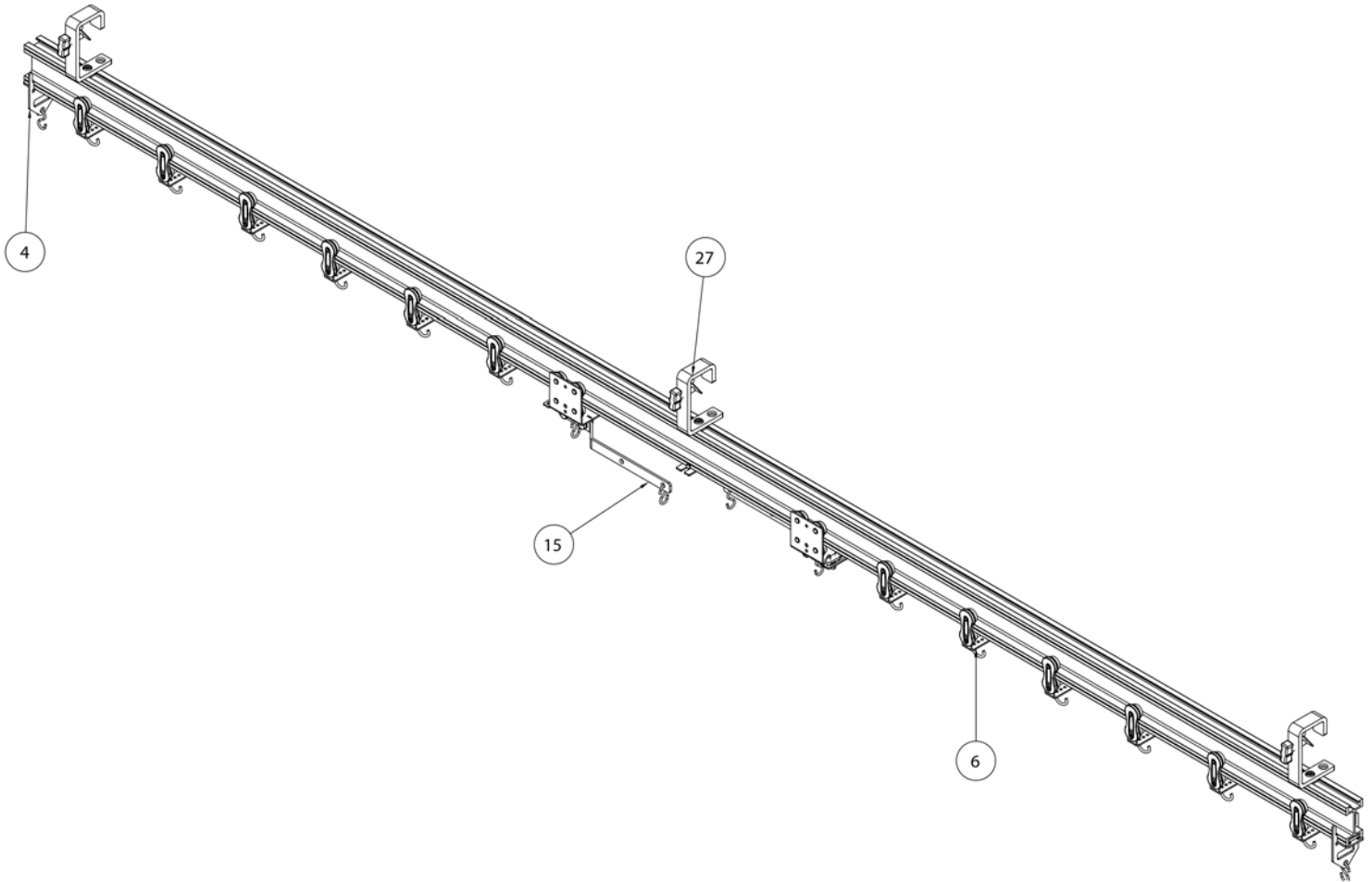
\* standard distance for grommet

## » RUNNER INFORMATION

Name	Article code	SWL	MIN. RADIUS OF BENDED RAIL
Ball Raced Runner	8070 0209 0257	25 kg	300 mm
Rear Fold Runner	8070 0212 0257	25 kg	300 mm
Master Carrier	8070 0227 0507	50 kg	300 mm
Curve Master Carrier	8070 0510 0507	50 kg	300 mm
Scenery Carrier	8070 0230 0507	50 kg	400 mm
	8070 0230 1037	100 kg	400 mm
	8075 0230 3507	350 kg	400 mm
Quick Release Runner	8070 0230 1067	100 kg	6000 mm
	8070 0230 3537	350 kg	6000 mm

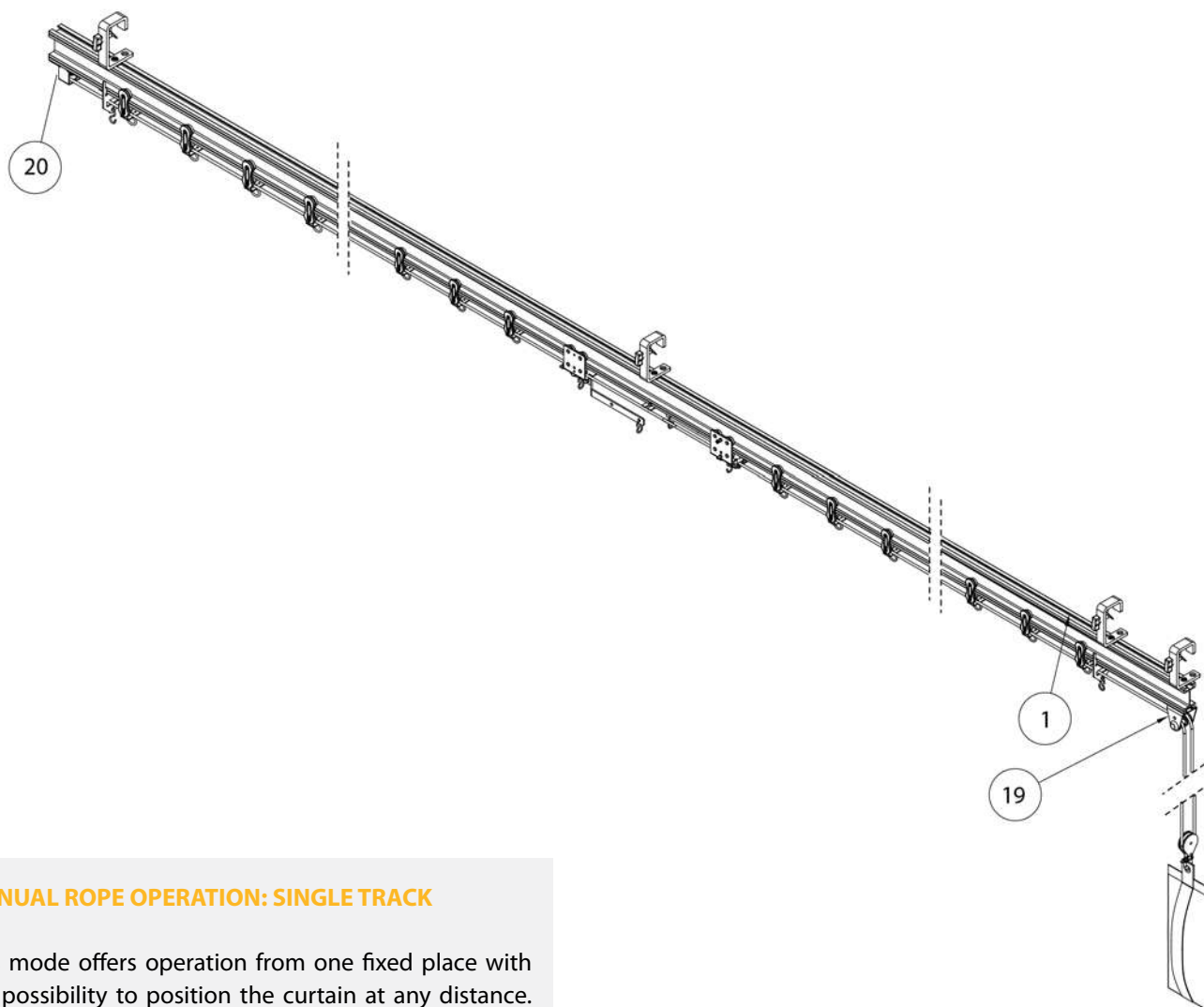
## » SET-UPS

Motion	Set-ups
Walk Along Operation	Single Track
Manual Rope Operation	Single Track Double Track
Motor Operation	Single Track Double Track Single Bended Track



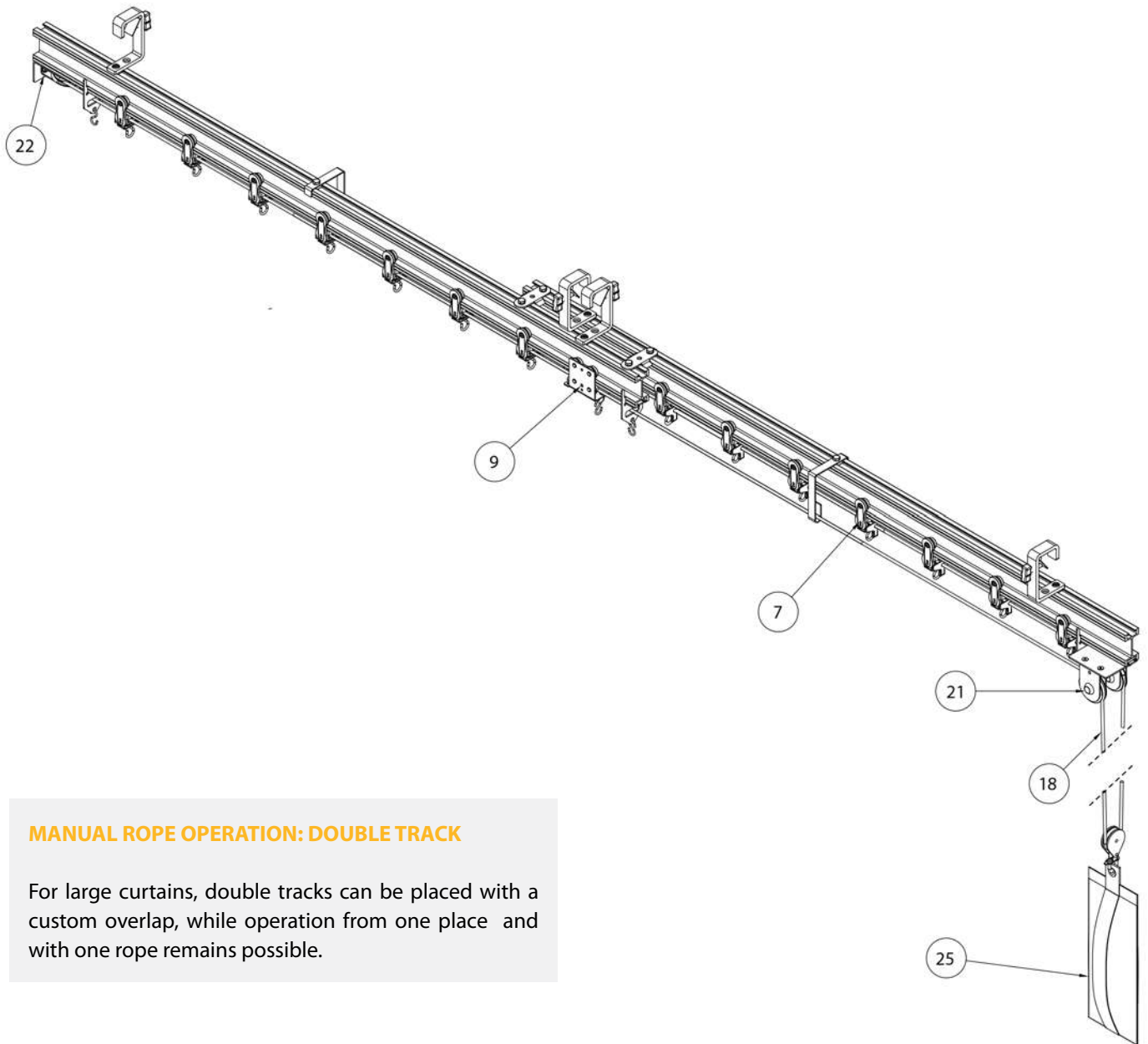
### WALK-ALONG OPERATION

This is the most basic installation of the ShowTrack system. The curtain is pulled along the rail to its required position. Optional braked master carriers make positioning more accurate. For larger curtains, double rails can be placed with a custom overlap. Walk-along operation is available for straight and curved tracks.



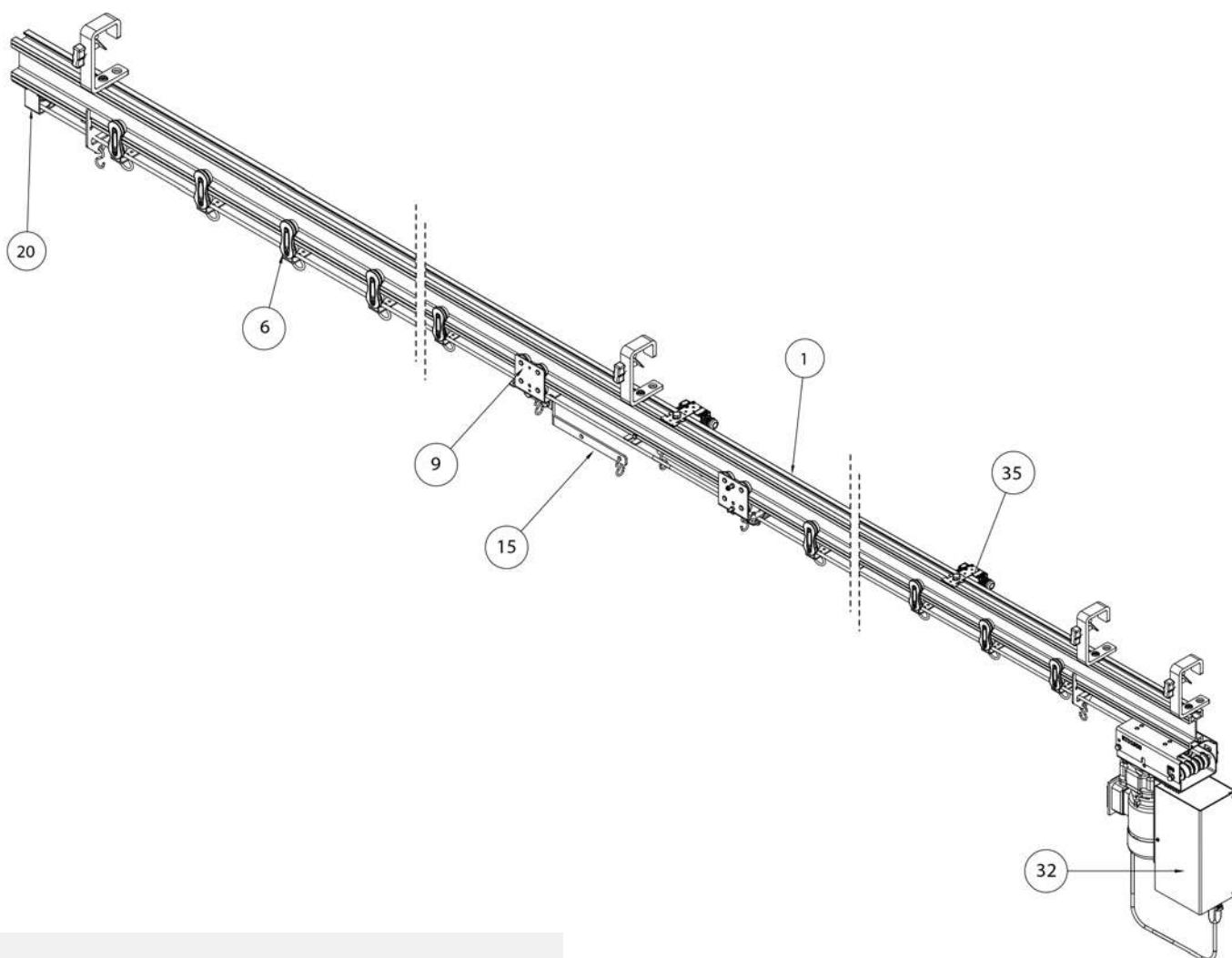
**MANUAL ROPE OPERATION: SINGLE TRACK**

This mode offers operation from one fixed place with the possibility to position the curtain at any distance. Overlap carriers ensure perfect closure of the curtains.



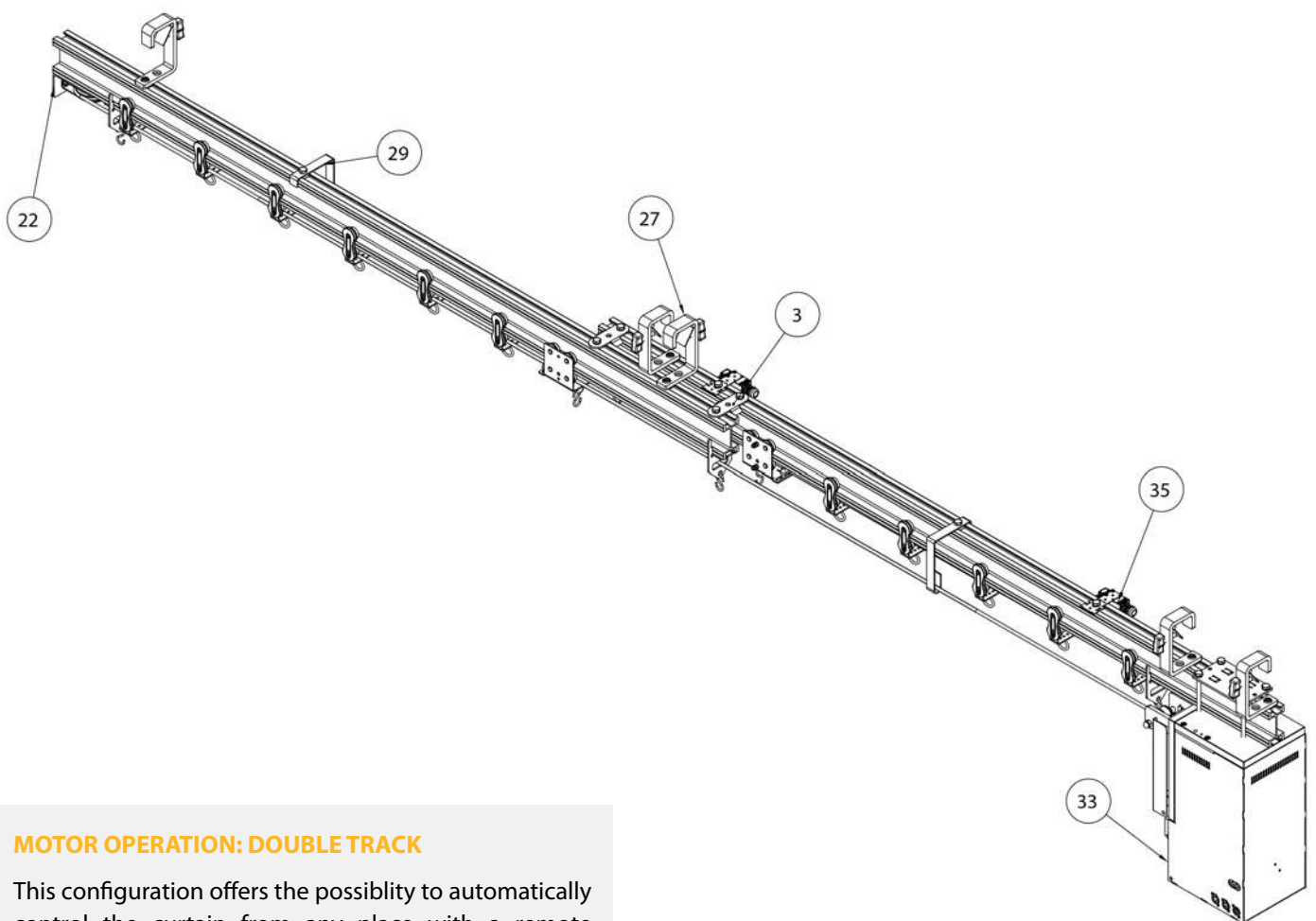
**MANUAL ROPE OPERATION: DOUBLE TRACK**

For large curtains, double tracks can be placed with a custom overlap, while operation from one place and with one rope remains possible.



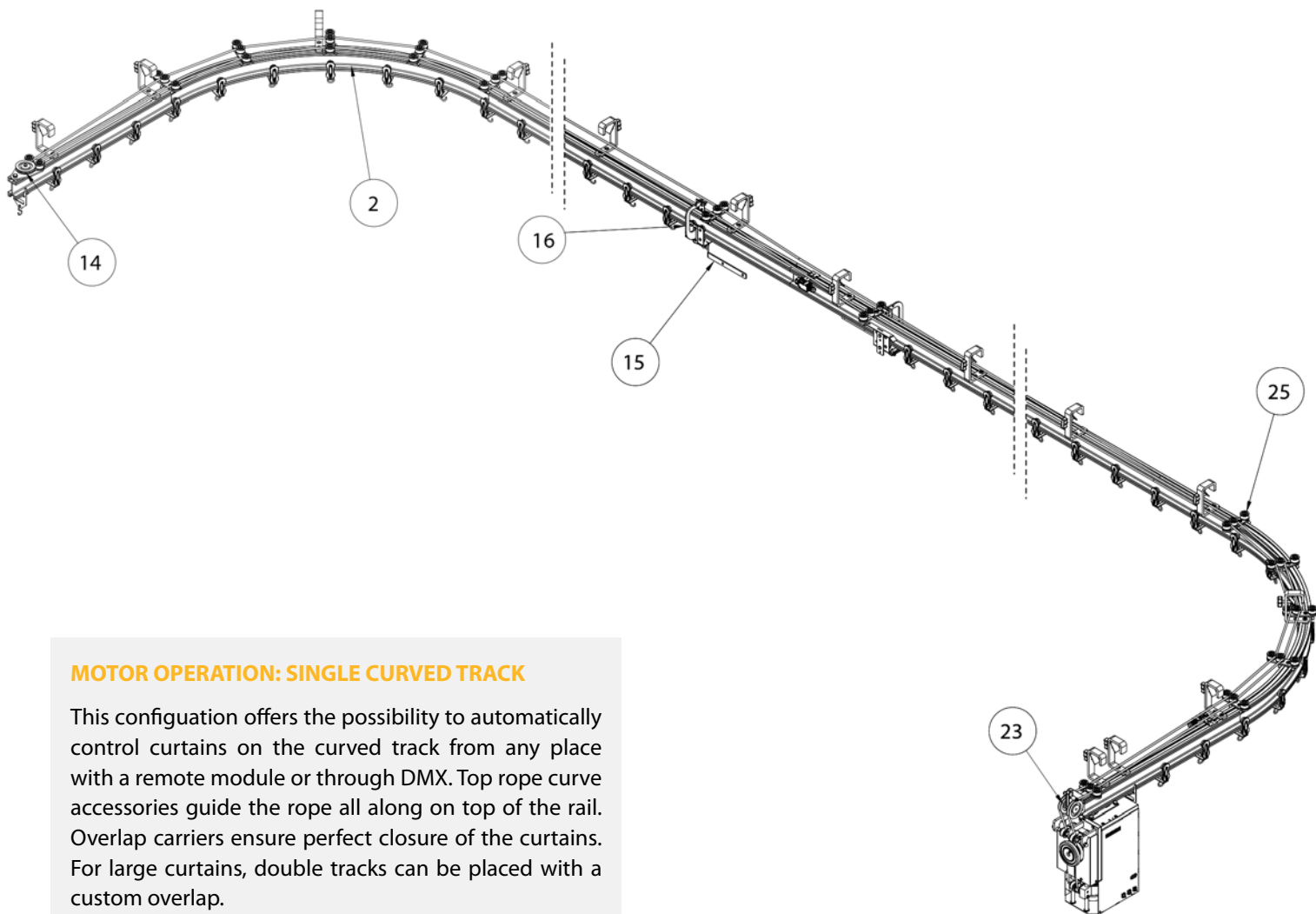
#### **MOTOR OPERATION: SINGLE TRACK**

This configuration offers the possibility to automatically control the curtains from any place with a remote module or through DMX. Two fixed positions are possible and variable speed control is also provided. Overlap carriers ensure perfect closure of the curtains.



**MOTOR OPERATION: DOUBLE TRACK**

This configuration offers the possibility to automatically control the curtain from any place with a remote module or through DMX. Double tracks are placed with a custom overlap to ensure perfect closure of the curtains. Line picks-ups are placed to keep the rope out of sight.

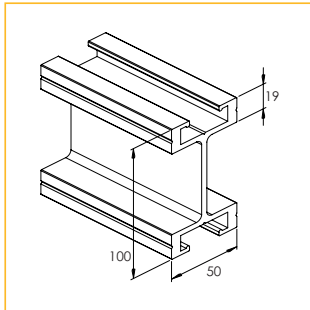


#### **MOTOR OPERATION: SINGLE CURVED TRACK**

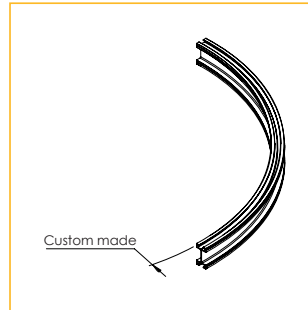
This configuration offers the possibility to automatically control curtains on the curved track from any place with a remote module or through DMX. Top rope curve accessories guide the rope all along on top of the rail. Overlap carriers ensure perfect closure of the curtains. For large curtains, double tracks can be placed with a custom overlap.



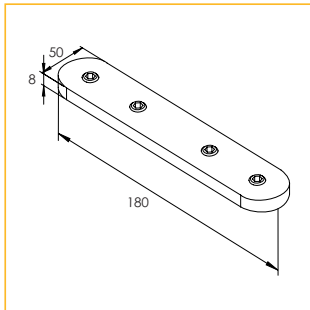
» COMPONENTS (MM) : TRACK



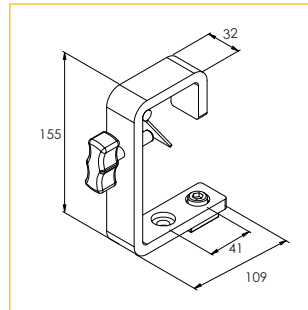
<b>Track</b>	
<b>Article code</b>	<b>Colour</b>
8075 0001 6007	Black
<b>Info</b>	<b>Weight</b>
600 cm	3.24 kg/m



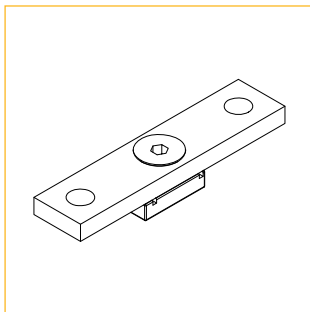
<b>Curved Track 90°</b>	
<b>Article code</b>	<b>Colour</b>
8075 0007 1007	Black
<b>Info</b>	<b>Weight</b>
90°, R 100 cm	5.09 kg/piece



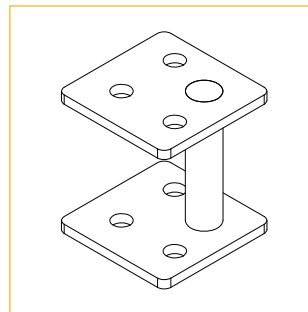
<b>Joiner Set</b>	
<b>Article code</b>	<b>Colour</b>
8075 0042 1807	Black
<b>Info</b>	<b>Weight</b>
Set of 2 pieces	0.74 kg/set



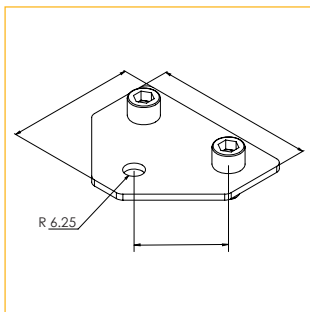
<b>Hook Clamp 60 kg / Channel Nut</b>	
<b>Article code</b>	<b>Colour</b>
8075 0680 0007	Black
<b>Info</b>	<b>Weight</b>
60 kg capacity	0.89 kg/set



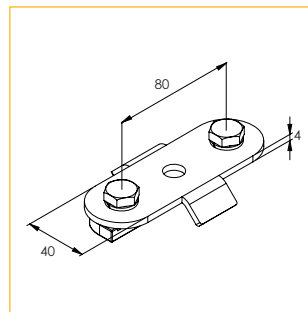
<b>Ceiling Bracket</b>	
<b>Article code</b>	<b>Colour</b>
8075 0110 0007	Black
<b>Info</b>	<b>Weight</b>
	0.14 kg/pc



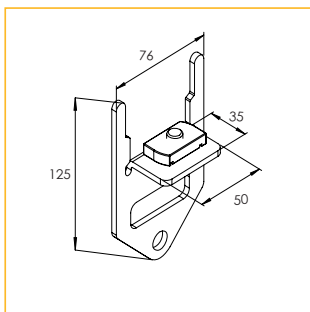
<b>Offset bracket HD</b>	
<b>Article code</b>	<b>Colour</b>
8075 0550 0007	Black
<b>Info</b>	<b>Weight</b>
For curved tracks	0.96 kg/pc



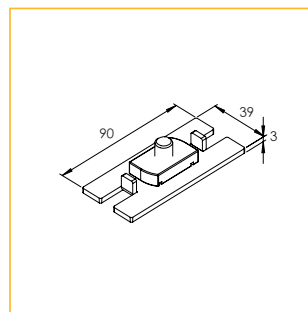
<b>Offset Plate</b>	
<b>Article code</b>	<b>Colour</b>
8075 0690 0607	Black
<b>Info</b>	<b>Weight</b>
	0.37 kg/pc



<b>Overlap Clip</b>	
<b>Article code</b>	<b>Colour</b>
8075 0696 1207	Black
<b>Info</b>	<b>Weight</b>
Only for 50 kg Master Carrier	0.29 kg/pc

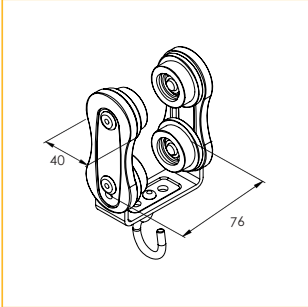


<b>EndStop</b>	
<b>Article code</b>	<b>Colour</b>
8075 0050 0007	Black
<b>Info</b>	<b>Weight</b>
	0.27 kg/piece

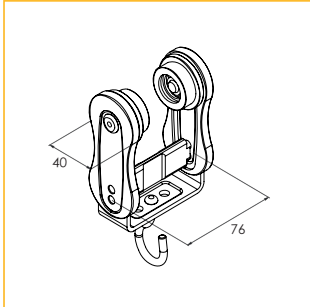


<b>Flat EndStop</b>	
<b>Article code</b>	<b>Colour</b>
8075 0053 0007	Black
<b>Info</b>	<b>Weight</b>
	0.14 kg/piece

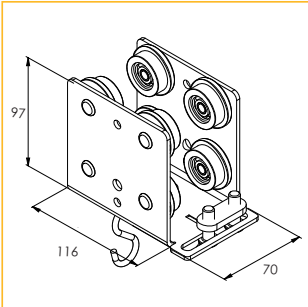
» COMPONENTS (MM) : RUNNERS



<b>Ball Raced Runner</b>	
Article code	Colour
8070 0209 0257	Black
Info	Weight
	0.28 kg/piece

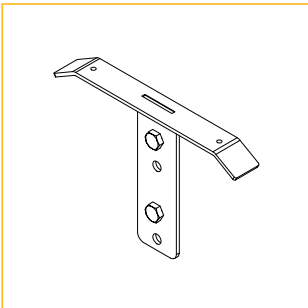


<b>Ball Raced Rear Fold Runner</b>	
Article code	Colour
8070 0212 0257	Black
Info	Weight
	0.30 kg/piece

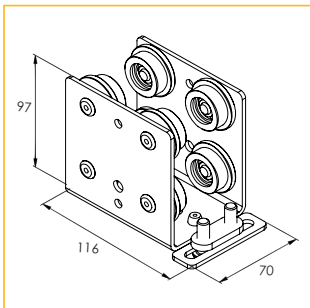


<b>Ball Raced Master Carrier</b>	
Article code	Colour
8070 0227 0507	Black
Info	Weight
50 kg	0.80 kg/piece

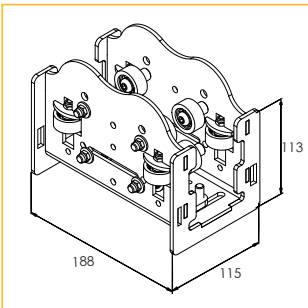
» COMPONENTS (MM) : OPERATION



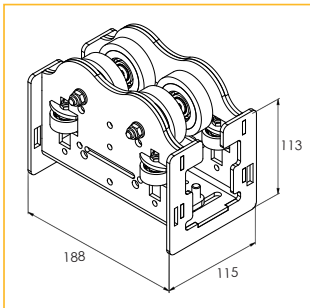
<b>Ski for Limit Switch with wheel</b>	
Article code	Colour
8075 0770 0017	Black
Info	Weight
	0.23 kg/piece



<b>Scenery Carrier 50 kg</b>	
Article code	Colour
8070 0230 0507	Black
Info	Weight
50 kg	0.85 kg/piece

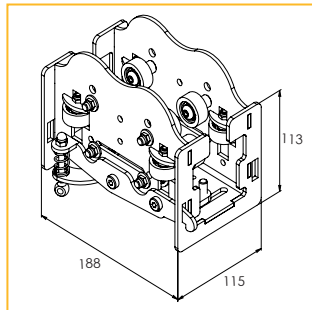


<b>Scenery Carrier 100 kg</b>	
Article code	Colour
8070 0230 1037	Black
Info	Weight
100 kg	2.32 kg/piece



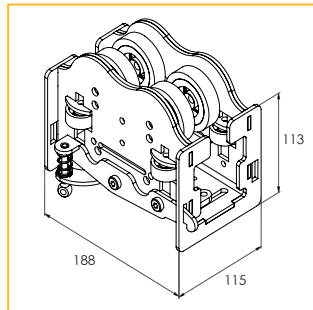
<b>Scenery Carrier 350 kg</b>	
Article code	Colour
8075 0230 3507	Black
Info	Weight
350 kg	3.70 kg/piece

» COMPONENTS (MM) : OPERATION



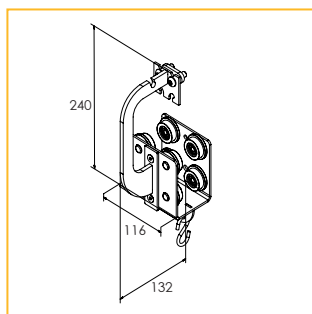
**Quick Release Runner**

Article code	Colour
8070 0230 1067	Black
Info	Weight
100 kg / 350 kg	3.70 kg/piece



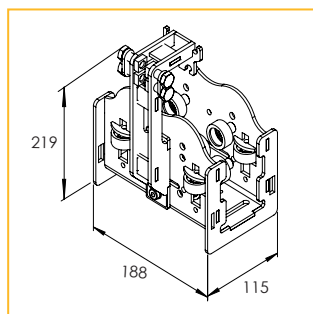
**RotoDraper Track**

Article code	Colour
8700 0699 0037	Black
Info	Weight
	3.40kg/piece



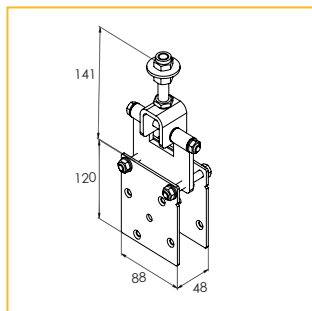
**Curve Master Carrier**

Article code	Colour
8070 0510 0507	Black
Info	Weight
50 kg	1.24 kg/piece



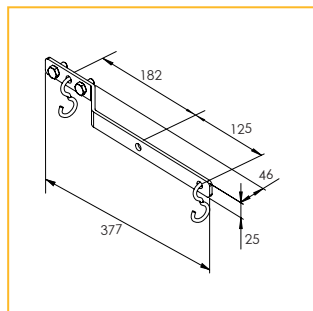
**Curve Master Carrier**

Article code	Colour
8070 0510 1007	Black
Info	Weight
100 kg	2.96 kg/piece



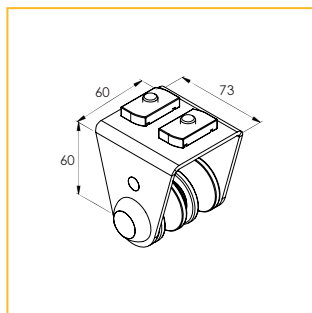
**Scenery Hanger**

Article code	Colour
8070 0235 0507	Black
Info	Weight
100 kg	0.98 kg/piece



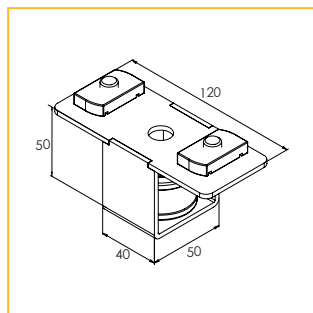
**Overlap Arm Set**

Article code	Colour
8070 0241 0007	Black
Info	Weight
100 kg	0.60 kg/set



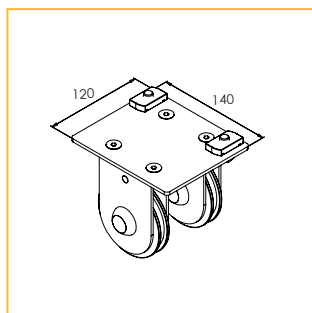
**Head Pulley**

Article code	Colour
8075 0400 0017	Black
Info	Weight
	0.54 kg/piece



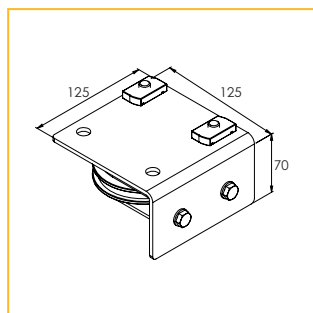
**Return Pulley**

Article code	Colour
8075 0410 0017	Black
Info	Weight
	0.48 kg/piece



**Head Pulley Double Track**

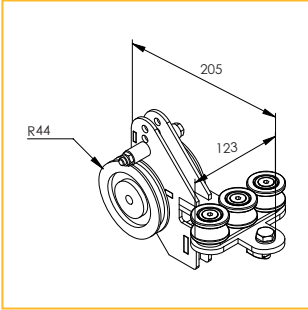
Article code	Colour
8075 0400 0027	Black
Info	Weight
	1.81 kg/piece



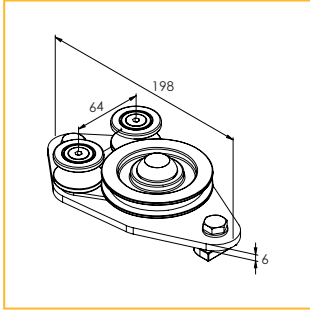
**Head Pulley Double Track**

Article code	Colour
8075 0410 0027	Black
Info	Weight
	1.38 kg/piece

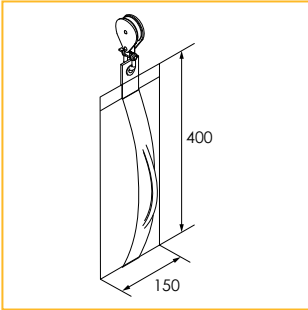
» COMPONENTS (MM) : OPERATION



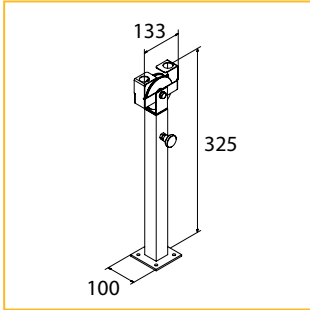
Curve Head Pulley	
Article code	Colour
8075 0520 0007	Black
Info	Weight
	1.73 kg/piece



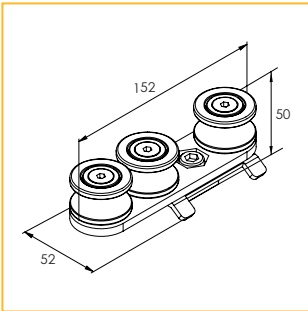
Curve Return Pulley	
Article code	Colour
8075 0523 0007	Black
Info	Weight
	1.22 kg/piece



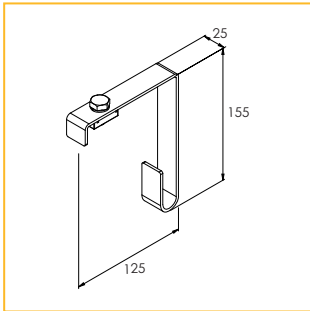
Weighted Return Pulley	
Article code	Colour
8050 0415 0057 8050 0415 0087	Black
Info	Weight
	5.50 kg/piece 10.50 kg/piece



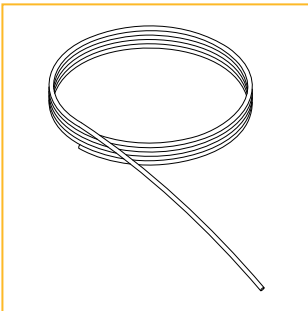
Floor Fixed Return Pulley	
Article code	Colour
8050 0420 0007	Black
Info	Weight
	3.38 kg/piece



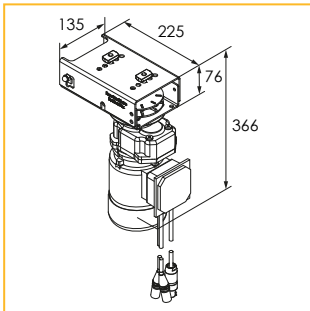
Curve Cord Guide	
Article code	Colour
8075 0500 0007	Black
Info	Weight
	0.46 kg/piece



Line Pickup	
Article code	Colour
8075 0694 0007	Black
Info	Weight
	0.27 kg/piece

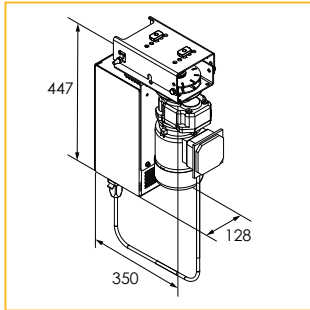


Double Braided Rope	
Article code	Colour
7530 0308 1007	Black
Info	Weight
100 kg / 350 kg	3.70 kg/piece

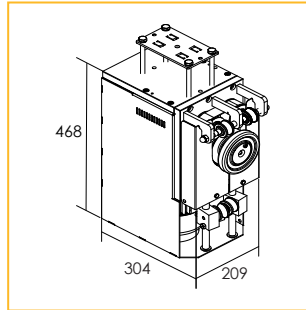


RTD 1100	
Article code	Colour
8050 0713 2217	Black/ Aluminum
Info	Weight
100 kg / 350 kg	11.8 kg/piece

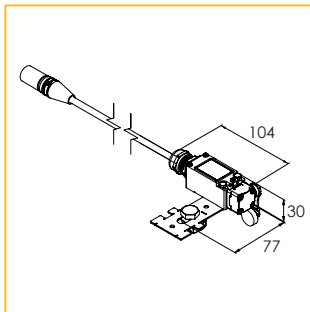
» COMPONENTS (MM) : OPERATION



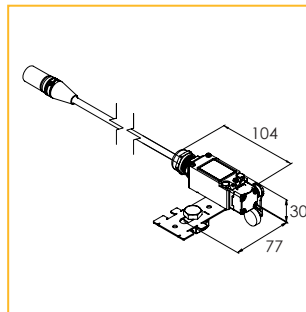
<b>RTD 1500</b>	
Article code	Colour
8050 0713 2257	Black/ Aluminum
Info	Weight
	19.4 kg/piece



<b>RTD 3000</b>	
Article code	Colour
8050 0743 3707	Black/ Aluminum
Info	Weight
	37.2 kg/piece



<b>Limit Switch Set for RTD 1100/1500</b>	
Article code	Colour
8075 0770 0013	Black/Green
Info	Weight
	0.23 kg/piece



<b>Limit Switch Set for RTD 3000</b>	
Article code	Colour
8075 0770 0015	Black/Green
Info	Weight
	0.23 kg/piece

**HAVE A GREAT SHOW!**  
MORE INFO ON [WWW.SHOWTEX.COM](http://WWW.SHOWTEX.COM)