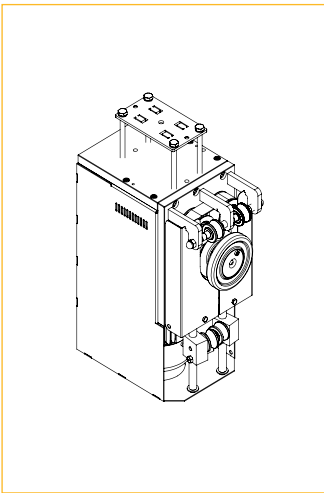


ROPE TRACK DRIVE 3000

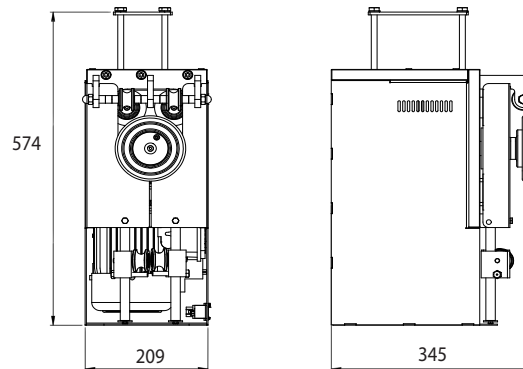
The RTD 3000 system enables durable motorised track control with a cord and integrated head pulley.



» SPECIFICATIONS

- Equipped with an easy-to-use remote control with open/close switch and speed controller.
- The exclusive toothed belt and pulley create maximum friction for reliable movement.
- Step-less speed regulation and a manual emergency override.
- Variable speed of 0 to 55 cm/sec.
- Works with Rail H100, ShowPipe and ShowTrack.
- Compatible with RF Remote.
- Optional DMX basic module for control from a lighting console.
(2 DMX channels: open / close, speed set on remote control)

» OUTER DIMENSIONS (MM)



ROPE TRACK DRIVE 3000

TECHNICAL DATA SHEET

February 2020

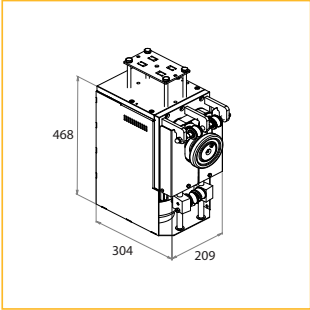
» ELECTRONIC AND MECHANICAL PROPERTIES

- Motor torque : 21 Nm
- Motor speed : 138 rpm
- Maximum rope force : 505 N
- Rope speed : 0 to 55 cm/sec
- Motor power : 370 W
- 3 x 230 VAC + N • 4.8 A
- Duty cycle : S1 - Continuous duty

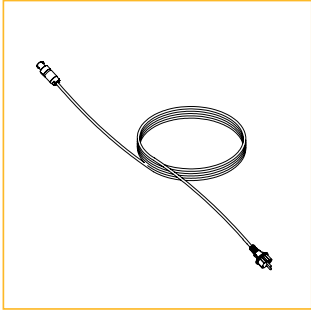
» INSTALLATION SPECIFICATIONS

- Power Supply : 1 x 230 VAC +N • 50Hz • 6 A
- Power Connection : PowerCON 20A / Schuco
- Power Distribution: Provide a separate differential switch of 30mA for the motor (Motor is driven by a Frequency drive, the RFI filters produce a leakage current)

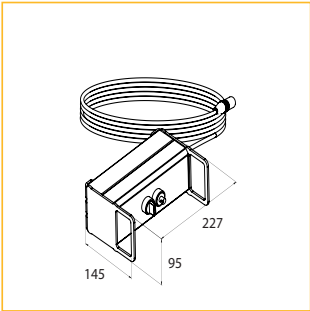
» COMPONENTS (MM)



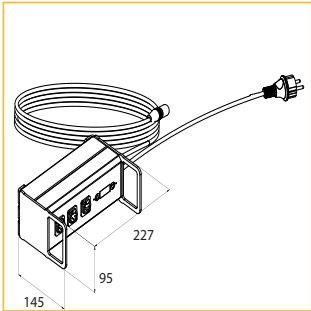
RTD 3000 Motor	
Article code	Colour
8050 0713 3717	black
Info	Weight
370 W • 1 x 230 VAC • 1.89 A	37.2 kg/pc



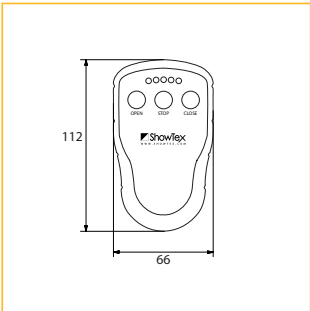
Power Cable	
Article code	Colour
8150 0912 0027	black
Info	Weight
Length: 2 m	0.40 kg/pc



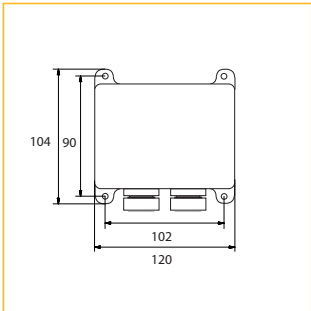
RTD 3000 Remote Unit	
Article code	Colour
8050 0766 0020	black
Info	Weight
With 25 m cable	5.40 kg/pc



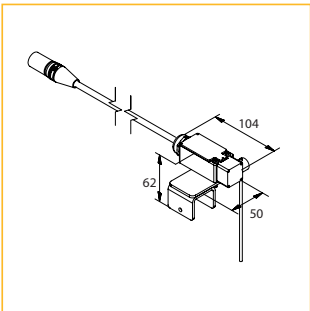
RTD 3000 DMX Basic Module	
Article code	Colour
8050 0766 0100	black
Info	Weight
Optional • With 2 m cable and 2 m Power Cable	1.92 kg/pc



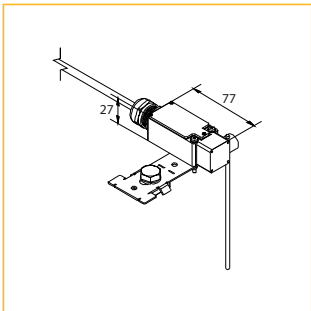
RF Remote	
Article code	Colour
8050 0950 0200	
Info	Weight
Optional • 2.4 GHz radio • range: up to 700m (open space)	0.14 kg/pc



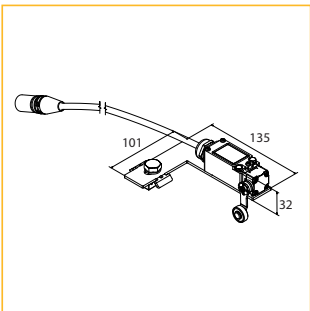
RF Receiver	
Article code	Colour
8050 0950 0300	
Info	Weight
Optional • 5 channels	0.32 kg/pc



Limit Switch Set (H100)	
Article code	Colour
8050 0770 0027	
Info	Weight
set of 2 pieces	0.23 kg/pc



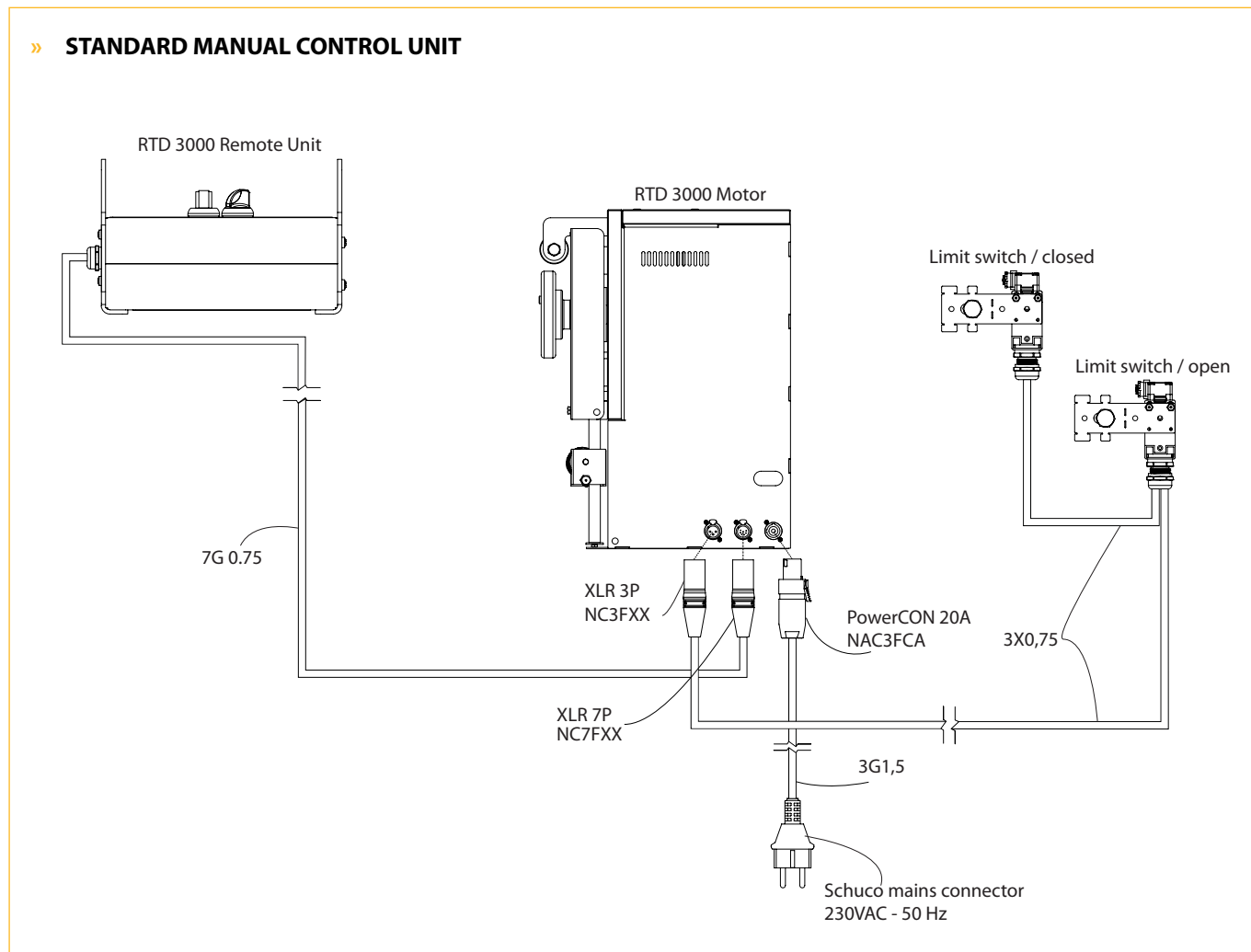
Limit Switch Set (ShowPipe)	
Article code	Colour
8050 0770 0017	
Info	Weight
set of 2 pieces	0.23 kg/pc



Limit Switch Set (ShowTrack)	
Article code	Colour
8050 0770 0015	
Info	Weight
set of 2 pieces	0.23 kg/pc

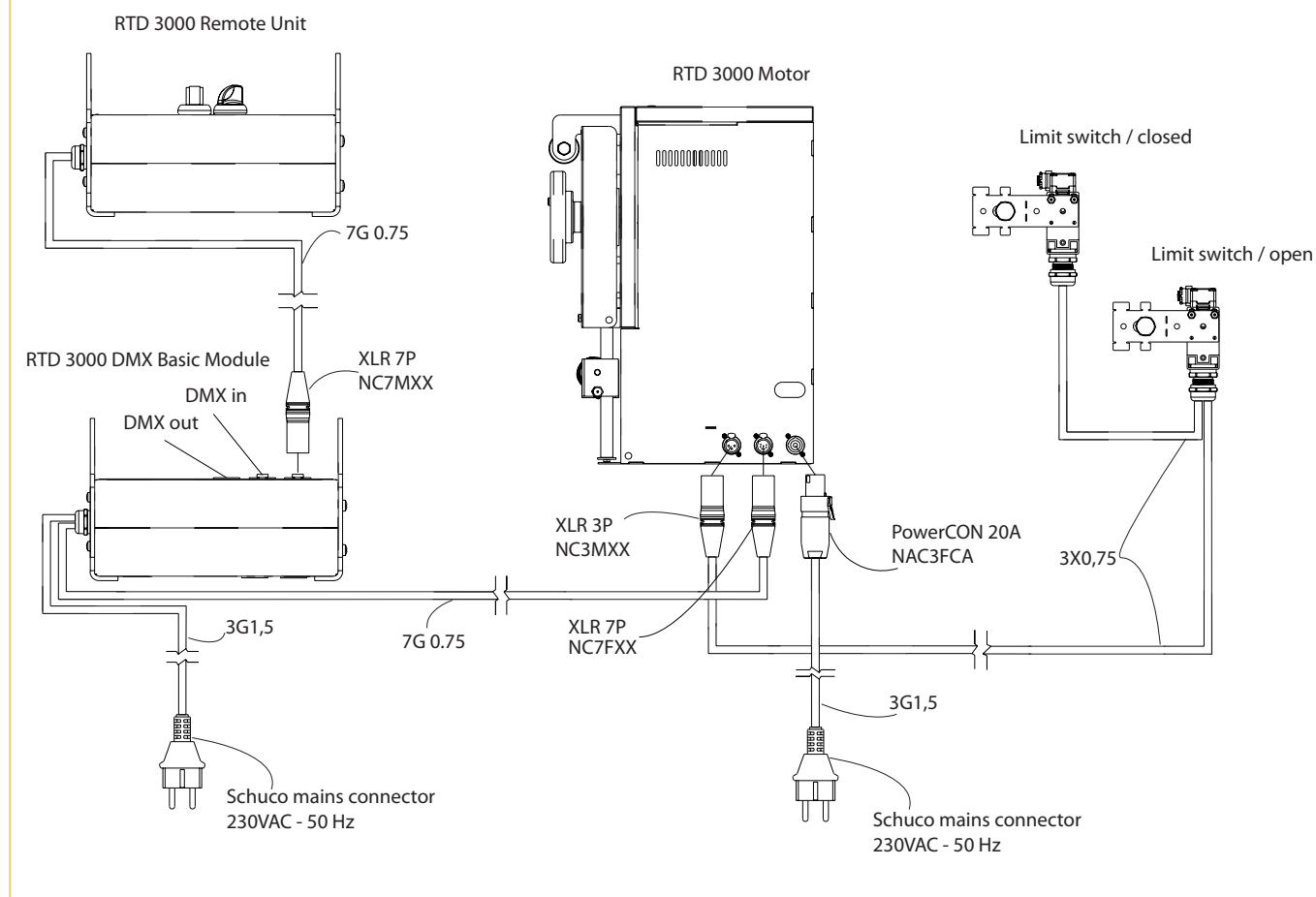
» ELECTRICAL WIRING & CONNECTORS

» STANDARD MANUAL CONTROL UNIT



» ELECTRICAL WIRING & CONNECTORS

» DMX BASIC CONTROL UNIT



HAVE A GREAT SHOW!
MORE INFO ON WWW.SHOWTEX.COM