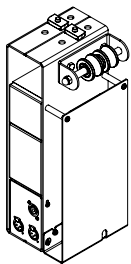


RTD 1000

TECHNICAL DATA SHEET

September 2018

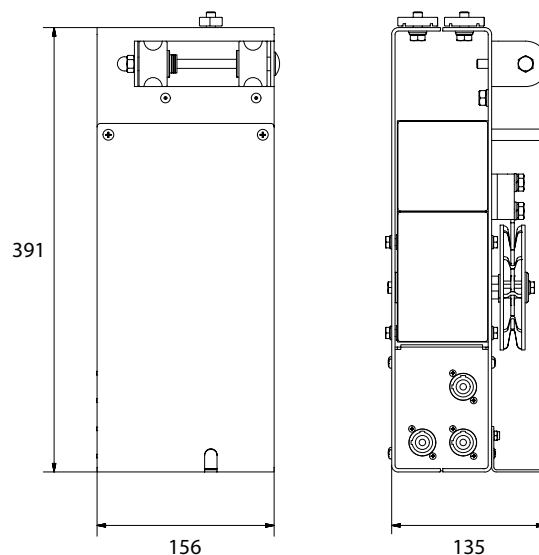
The RTD 1000 is a budget friendly compact track motor for basic motorised track control, ideal for simple rope operation, as used for fixed installations in theatres and venues.



» SPECIFICATIONS

- Equipped with an easy to use manual control with open/close switch.
- Fixed speed of 40 cm/sec.
- Works with H100, ShowPipe and ShowTrack.
- Optional DMX basic module for control through a lighting console.

» OUTER DIMENSIONS (MM)

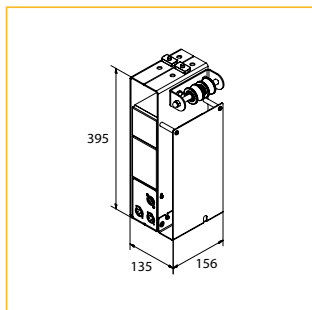


» ELECTRICAL AND MECHANICAL PROPERTIES

- | | |
|-----------------------------|--|
| • Motor torque: 6 Nm | • Motor Power: 90W |
| • Motor speed: 100 rpm | • Power in: 1 x 230 VAC, 2.3A |
| • Maximum rope force: 150 N | • Power connection: PowerCON 20A - SpeakON 16A |
| • Rope speed: 24 cm/s | • Duty cycle: 15% |

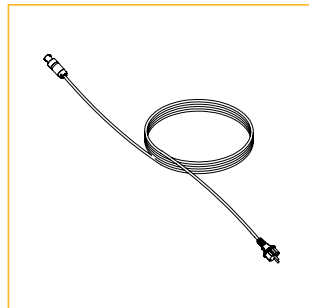
» COMPONENTS (MM)

MOTOR

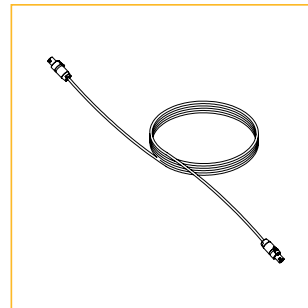


1. Motor

CABLES

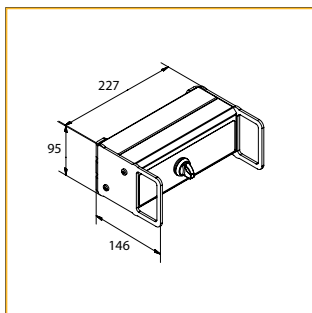


2. Power Supply Cable

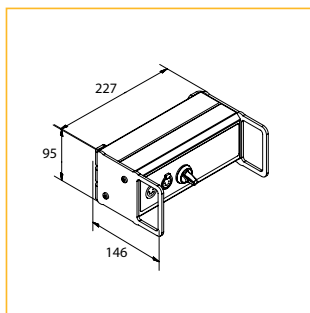


3. Link Cable

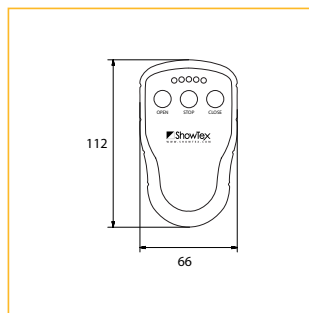
CONTROLLERS



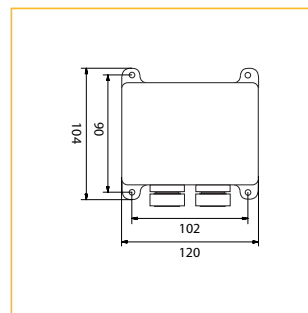
4. Remote unit RTD 1000



5. RTD 1000 DMX Basic Module (optional)

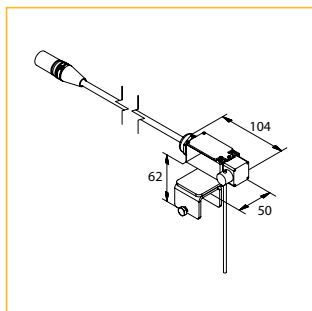


6. RF Remote (optional)

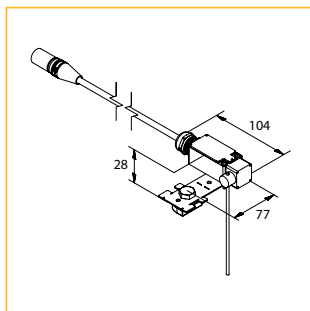


7. RF Receiver (optional)

LIMIT SWITCHES



8. Limit Switch Set (Rail H100)

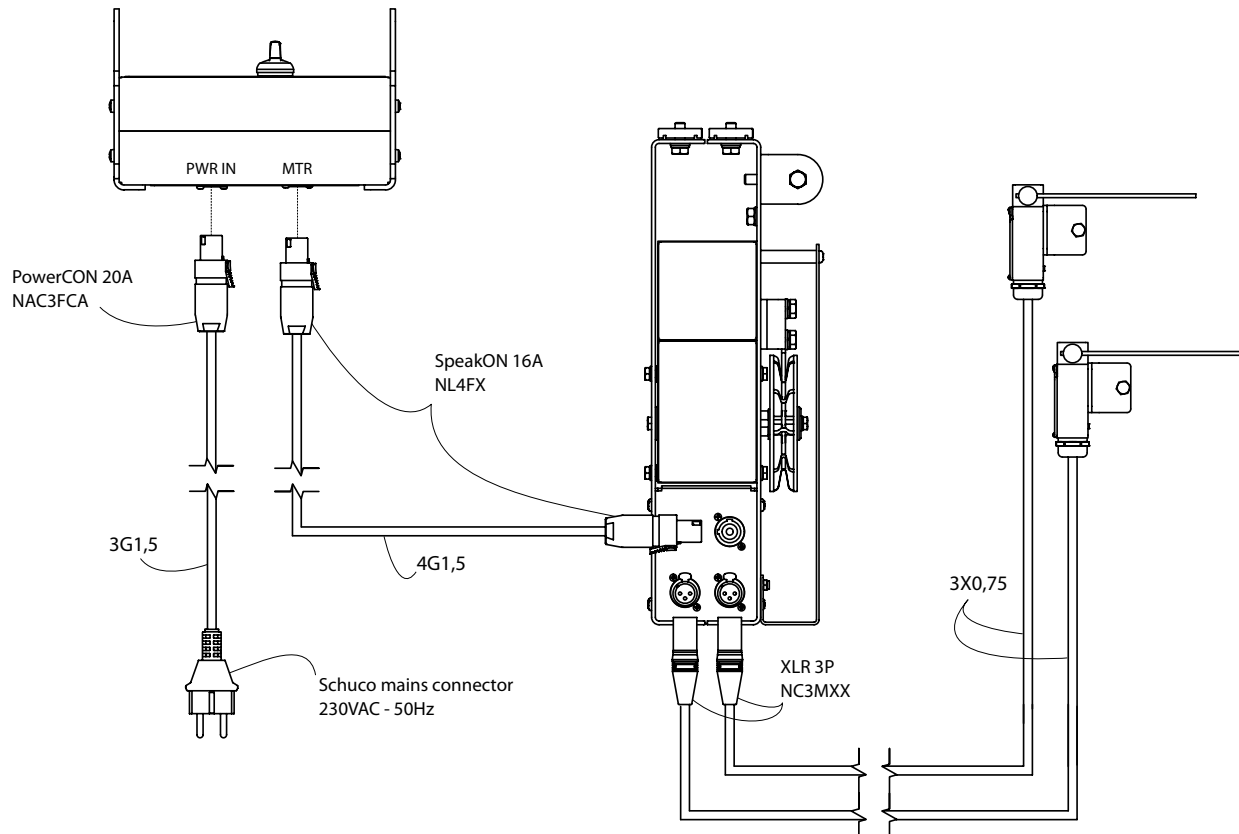


9. Limit Switch Set (ShowPipe)

NAME	ART.NR.	WEIGHT	INFORMATION
1. RTD 1000 motor	8050 0713 2217	11.8 kg/pc	90 W • 1x230 V • 2.3 A • 6 Nm • 100 rpm
2. Power Supply Cable	8150 0912 0027	0.40 kg/pc	Length: 2 m
3. Link Cable	8160 0915 0257	3.39 kg/pc	Length: 25 m
4. Remote unit RTD 1000	8050 0950 0007	1.55 kg/pc	
5. RTD 1000 DMX Basic Module	8050 0766 0200	1.92 kg/pc	optional
6. RF Remote	8050 0950 0200	0.14 kg/pc	optional • 2.4 GHz radio • range: up to 700m (open space)
7. RF Receiver	8050 0950 0300	0.32 kg/pc	optional • 5 channels
8. Limit Switch Set for Rail H100	8050 0770 0020	0.23 kg/pc	For Rail H100 • 2 pieces • with 25 m cable
9. Limit Switch Set for ShowPipe	8050 0770 0010	0.23 kg/pc	For ShowPipe • 2 pieces • with 25 m cable

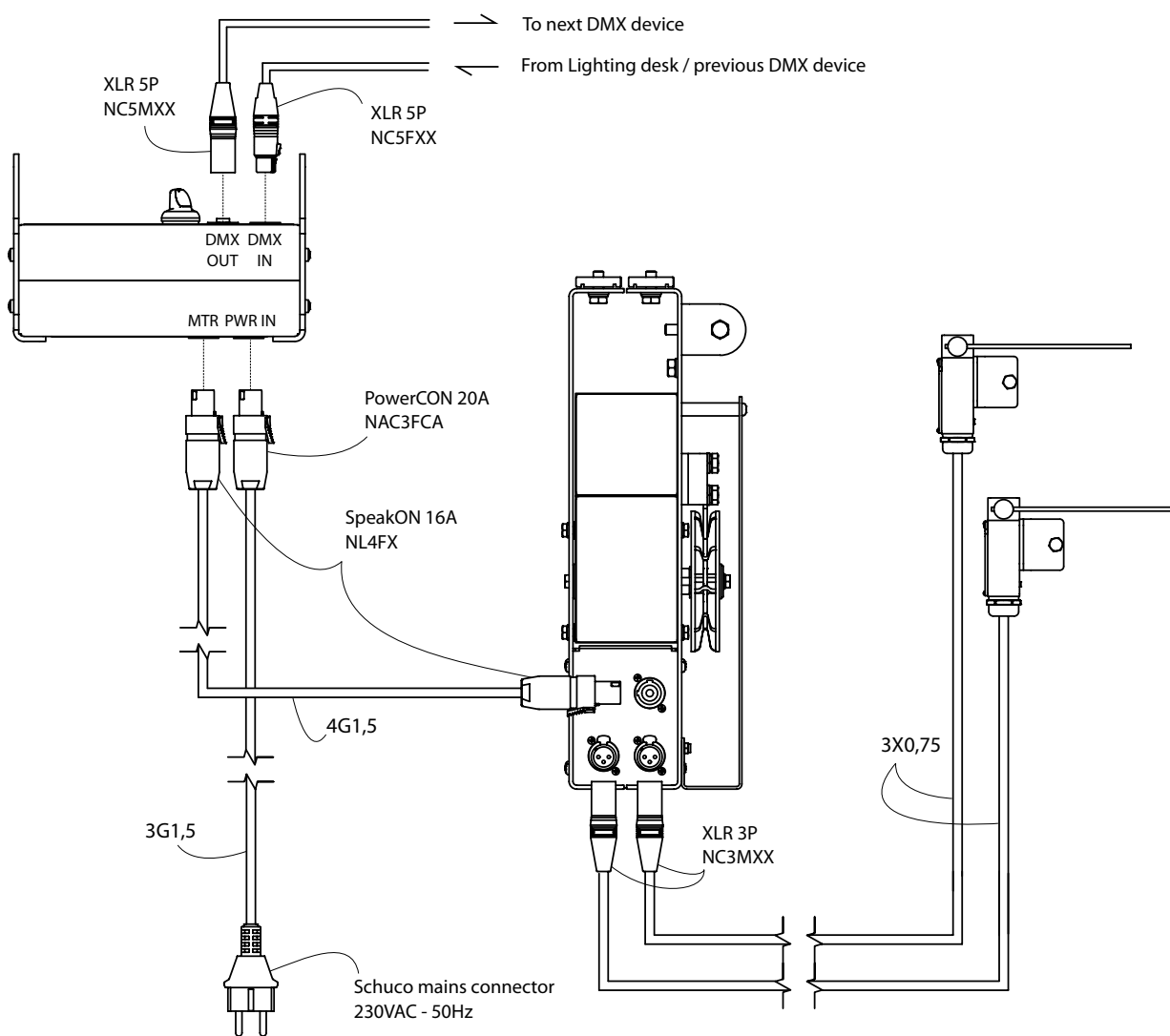
» ELECTRICAL WIRING & CONNECTORS

» STANDARD MANUAL CONTROL UNIT



» ELECTRICAL WIRING & CONNECTORS

» DMX BASIC CONTROL UNIT



HAVE A GREAT SHOW!
MORE INFO ON WWW.SHOWTEX.COM