

# GLITTERCARPET



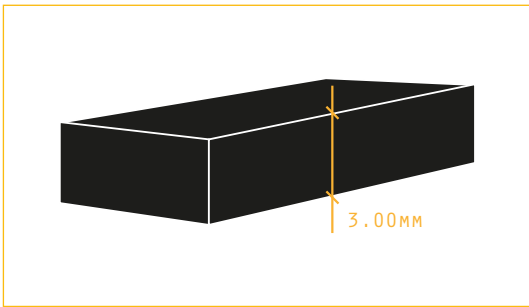
Glamour times ten with this glittery event floor. Bedazzle your audience with a shiny carpet.

## SPECIFICATIONS

Item	Width	Length	Weight	Thickness	Composition
5800	200 cm	± 35 m	700 g/m <sup>2</sup>	3 mm	100% PP

FR standard
EN 13501-1 / Bfl-s1

## INTERSECTION



## AVAILABLE COLOURS

