

# DANCECARPET JUMBO



Budget-friendly dance floor. Extra-wide vinyl for in and outdoor use.

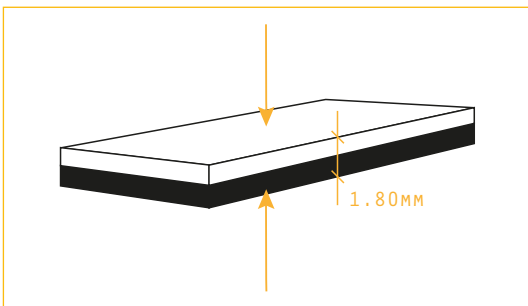
## SPECIFICATIONS

Item	Width	Length	Weight	Thickness	Composition
5101	200 cm	± 15 m / ± 20 m	2100 g/m <sup>2</sup>	1.8 mm	98% PVC + 2% GF

## FR standard

EN 13501-1 / Bfl-s1

## INTERSECTION



## AVAILABLE COLOURS

