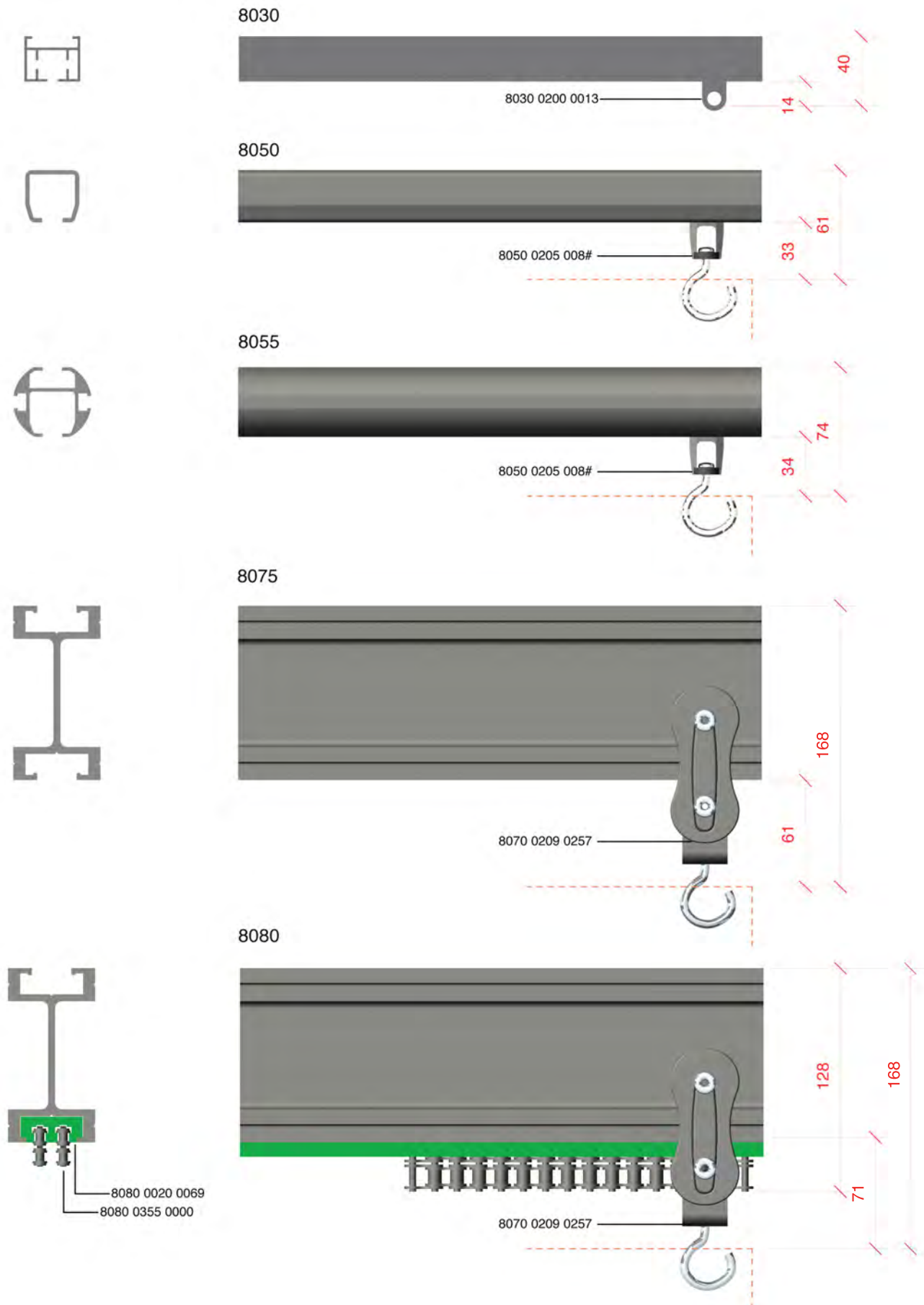
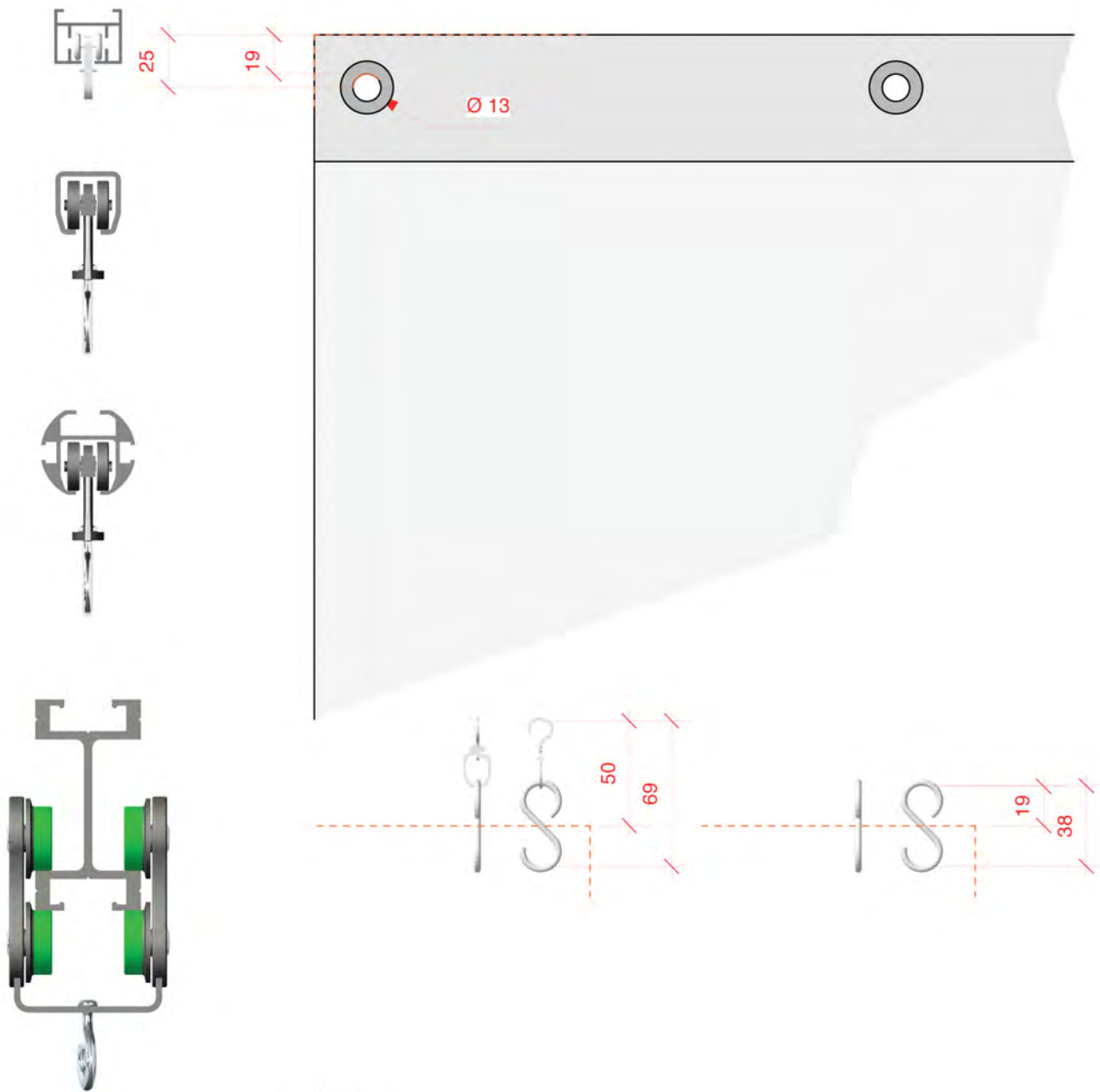


TRACK MEASUREMENTS ACCORDING TO CURTAIN SIZE (IN MM)





8100

